

Date:	_____
Project:	_____
Price:	_____

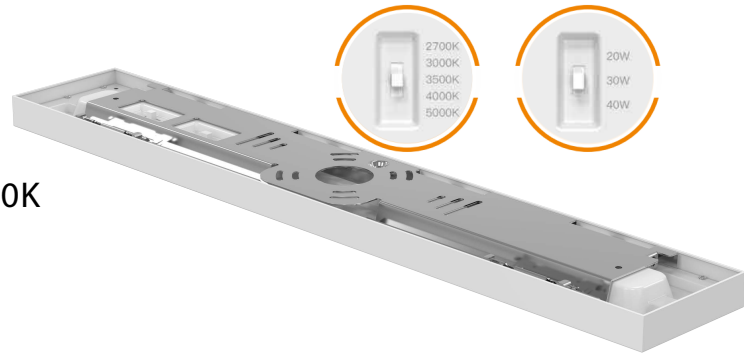
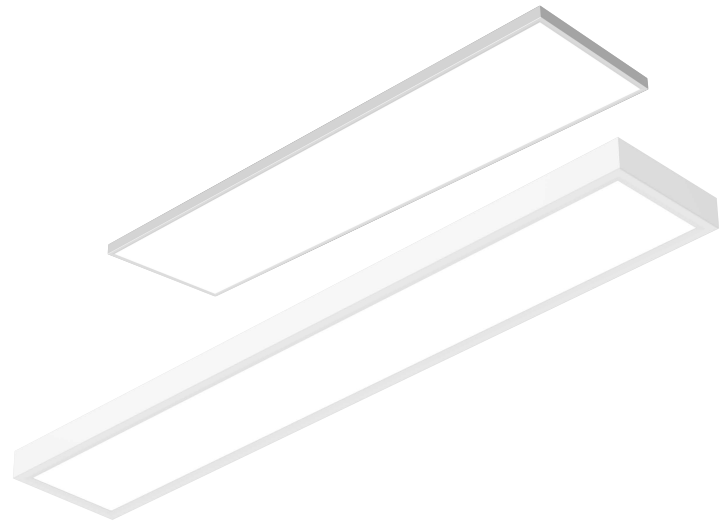
Apache LED Surface Mount Panel Light

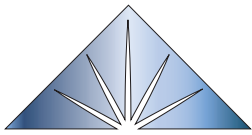
Description:

This Apache LED surface mount panel Light - simple and elegant. Easy to install. Wattage and color temperature selectable.

Features:

- Input Power: 120-277V
- Wattage:
 - 2ft:22W
 - 4ft:20W/30W/40W selectable
- Lumen:110LM/W
- Color Options:2700K/3000K/3500K/4000K/5000K Tunable
- Thickness: 0.94inch, Ultra Slim
- Mounting: Surface mount
- Operating Temperature: -4°F ~ 104°F
- L₇₀ Lifetime: >50,000 hours
- Dimming: 0-10V Dimmable
- 7 Year Warranty

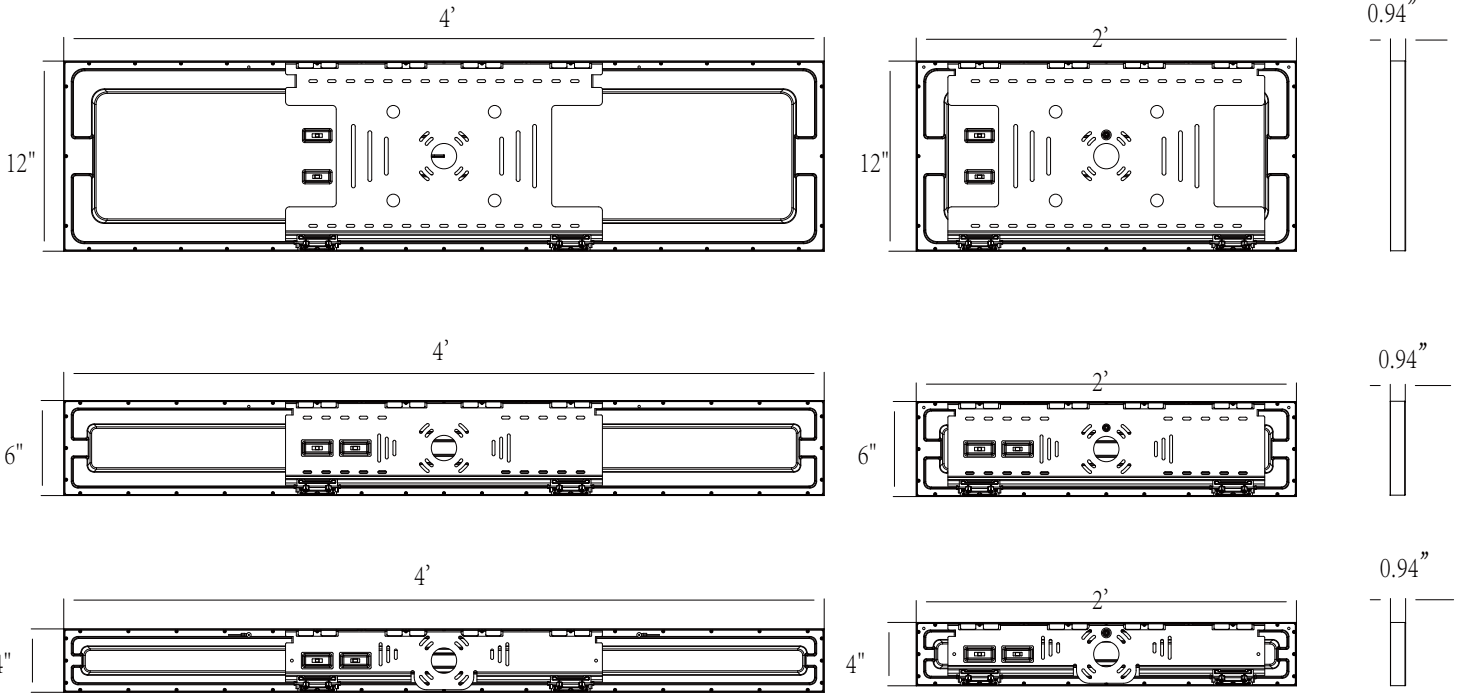




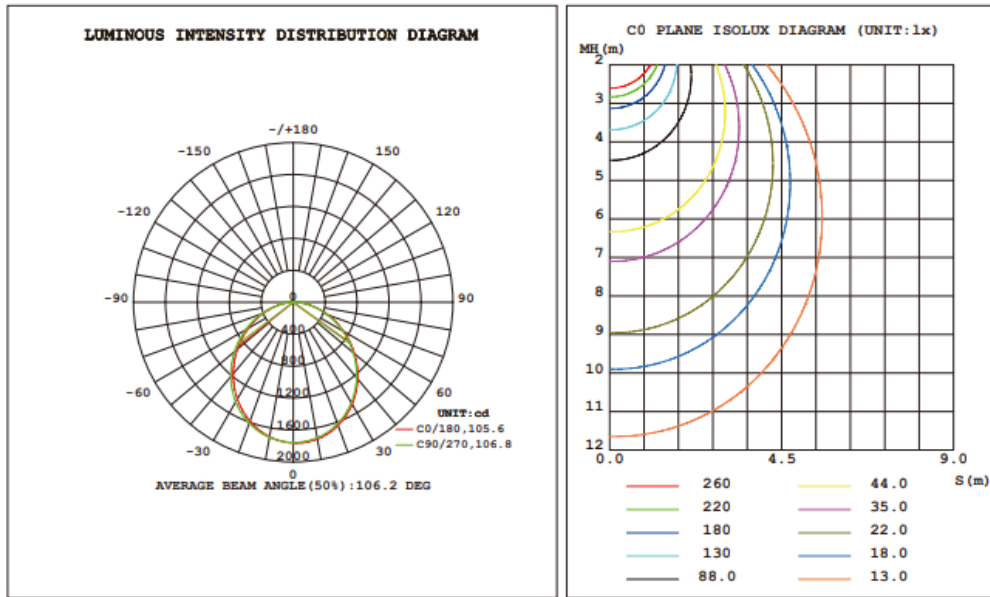
i-LUMINOSITY
LED LIGHTING FIXTURES

Date: _____
Project: _____
Price: _____

Dimensions:



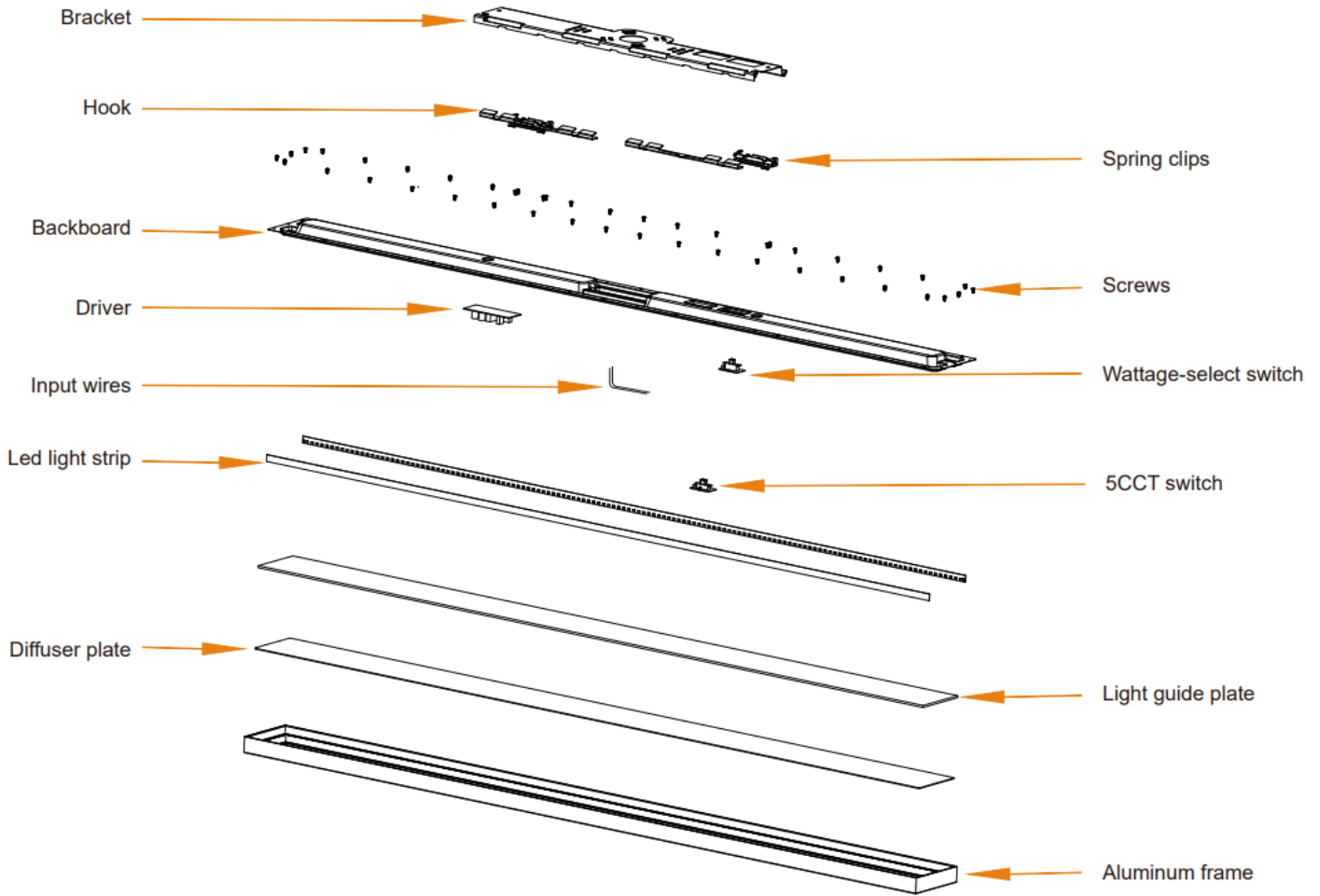
Photometrics:



(888)-998-LEDS (5337) | i-luminosity.com | info@i-luminosity.com

Date:	_____
Project:	_____
Price:	_____

Explosive View:



Ordering Key:

SERIES NUMBER	Length	Width	WATTS/LUMENS	CCT	DIMMABLE
ILPLAPHO	2F - 2ft	S - 4 inch	22W - 22W/2420LM	5CT - 2700K/3000K/4000K/5000K selectable	TD - TRIAC DIMMING
		M - 6 inch			DM - 0-10V DIMMING*
	4F - 4ft	L - 12 inch	WT - 20W/30W/40W selectable /4400LM*		

SAMPLE ITEM NUMBER: ILPLAPHO 4F M WT 5CT DM

* only available for 4ft fixture.



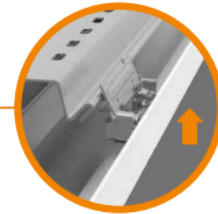
Date:	_____
Project:	_____
Price:	_____

Installation:

Two Step installation

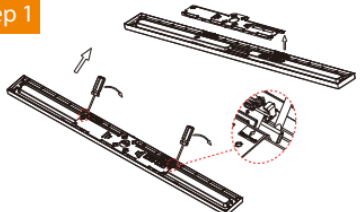


Step 1: Buckle



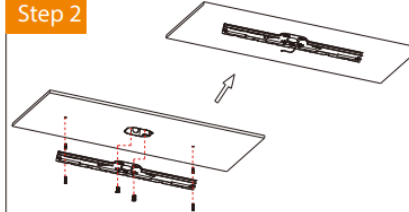
Step 2: Push

Step 1



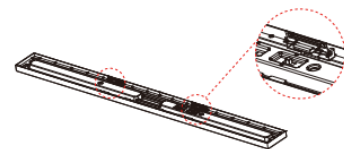
Turn-off /disconnect power at circuit breaker. Pry the two spring clips on fixture from place marked open here* with a screw-driver to unlock the bracket. The spring clips will automatically open, take out the bracket.

Step 2



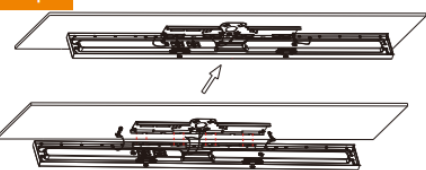
Position bracket in place: Mark mounting hole positions on ceiling with reference on bracket. Drill holes, mount appropriate anchors, then secure screws into anchors. Attach the bracket to junction box by using the 2 screws (provided).

Step 3




Keep the spring clips on the fixture open, shown as picture.

Step 4




Lock the safety rope at both ends of the fixture into the mounting holes at both ends of the bracket. Then hang the hook on the light fixture into the mounting holes on the bracket

Step 5



Pull the AC cable through the bracket center hole and attach to AC wires from fixture by using 2 wire nuts (provided) . Attach ground wire from fixture to ground wire from junction box by using wire nut (provided). Press the light fixture in the direction shown in picture, the spring clips will automatically lock the bracket.

Step 6



Turn-on power after light fixture installation completed

