

Date:	_____
Project:	_____
Price:	_____

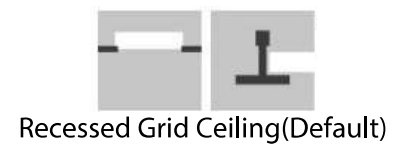
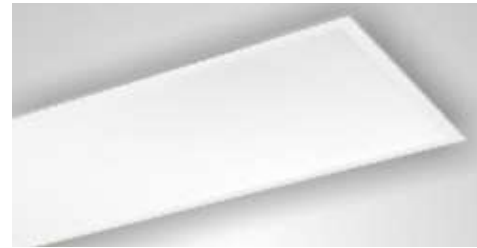
Oliver Waterproof LED Panel

Description:

Our Oliver waterproof LED Panel is a highly versatile fixture, accommodating various mounting options from recessed grid ceilings to suspension. Available in 1x4, 2x2, or 2x4 sizes, it is ideal for general lighting applications such as open offices, schools, and retail locations.

Features:

- Wattage: 30W, 40W, 50W, or customize
- Lumens: 120 LM/W
- CCT Adjustable: 3000K, 3500K, 4000K, or 5000K.
- 0-10V Dimming
- Voltage: 100-277V
- Beam Angle: 120°
- Backlit panel with PMMA lens
- Construction: Aluminum Frame
- CRI >80
- Mounting: Default recessed for grid ceiling, exposed T-bar. Surface mounted or suspended with wires option.
- Flicker free
- Waterproof: IP65
- L70 Lifetime: >50,000 hours.
- 7 Year Warranty.



Pendant (wire)

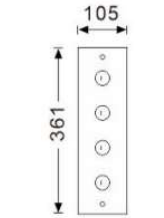
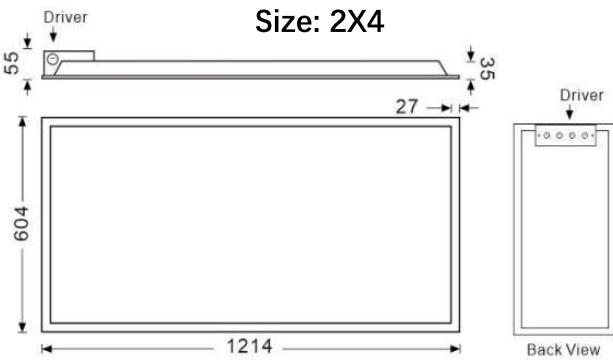
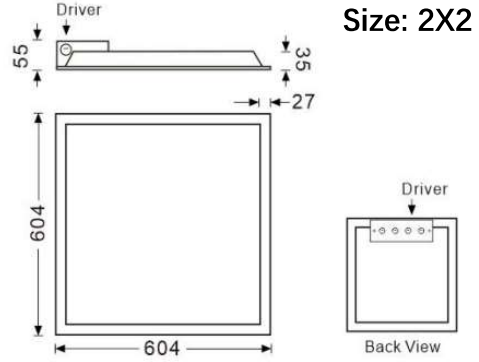
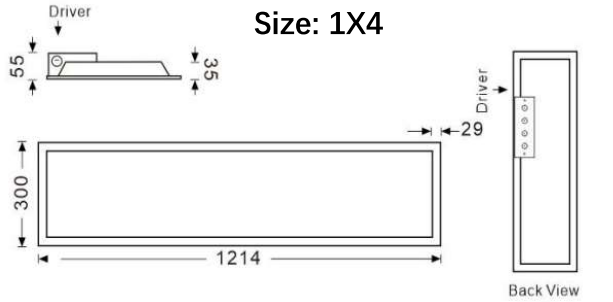


Surface mounted



Date:	_____
Project:	_____
Price:	_____

Dimensions:



Driver Box

* Unit in centimeter

Product Details:



Top



Back



LED lighting



Grid ceiling installation



Waterproof Frame



Seamless in top of luminaire

Date:	_____
Project:	_____
Price:	_____

Ordering Key:

SERIES NUMBER	SIZE/WATTS	CCT	DIMMING	ADDITIONAL OPTIONS
ILPLOWCX	1430W - 1X4 / 30W	3K - 3000K	DM - 0-10V DIMMING	P - PENDANT
	2230W - 2X2 / 30W	35K - 3500K		S - SURFACE MOUNTED
	2450W - 2X4 / 50W	4K - 4000K		EM - Emergency kit
	Customize wattage	5K - 5000K		

SAMPLE ITEM NUMBER: ILPLOWCX 2450W 4K DM

Polar Curves Wide Distribution:

