



i-LUMINOSITY
LED LIGHTING FIXTURES

Date:	_____
Project:	_____
Price:	_____

Recessed Retrofit Down Light

Description:

Ideal for both remodel or new construction applications, our 4", 5", or 6" LED Retrofit Down Lights are compatible with most recessed standard housings. The kit comes with a detachable screw-in base connector for easy installation into standard incandescent sockets, making it perfect for any application.

Features:

- Input Power: 120V, 50/60 Hz
- Power Consumption: 8W or 12W
- Lumen Output: 665 or 840
- 0-10V dimmable option available.
- Lighting controls option available.
- L70 Lifetime: >50,000 hours.
- Operating Temperature: -22°F ~ 104°F
- Available Trim Shape: Square or Round
- Available Color Option: 2700K, 3000K, or 4000K
- CRI >90
- ETL listed for wet locations.
- 7 Year Warranty.

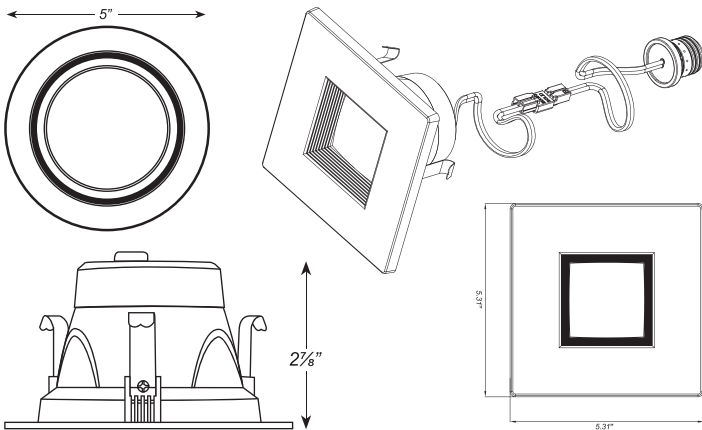


4IN

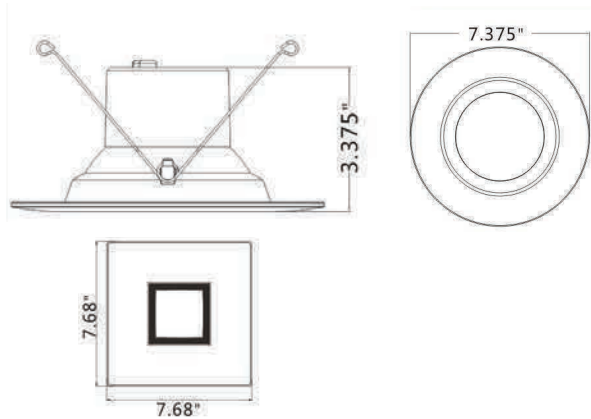


6IN

Dimensions 4IN:



Dimensions 6IN:





i-LUMINOSITY
LED LIGHTING FIXTURES

Date:	_____
Project:	_____
Price:	_____

Ordering Key:

SERIES NUMBER	SIZE	TRIM SHAPE	WATTAGE/LUMENS	CCT	ADDITIONAL OPTIONS
ILDLRCL	4IN - 4IN	SQ - SQUARE	8W - 8W/665 LM	27K - 2700K	EM - EMERGENCY BACKUP
	5IN - 5IN	RD - ROUND	12W - 12W/840 LM	3K - 3000K	MS - MOTION SENSOR
	6IN - 6IN			4K - 4000K	

SAMPLE ITEM NUMBER: ILDLRCL 4IN SQ 8W 27K EM

Electrical Data:

- **Input power:** Stays consistent over life
- **Input Voltage:** 120V
- **Operating Temperature:** -22°F ~ 104°F
- **CRI:** >90
- **L70 Lifetime:** >50,000 hours

Controls:

- This LED fixture is equipped with a 0-10V dimming driver that works universally with any standard 0-10V control or dimmer.
- Tuning and sequential lighting controls are available for this product.

Optical System:

- A unique combination of reflective & refractive optical components achieves a uniform, comfortable look while eliminating pixelation & color fringing.
- Parts work in unison to optimize light distribution, balancing the high delivery of high illuminance levels on horizontal surfaces with an ideal amount of light on walls and vertical surfaces, increasing perception of spaciousness.

