



**i-LUMINOSITY**  
LED LIGHTING FIXTURES

Date:	_____
Project:	_____
Price:	_____

## LED Lola Pendant

### Description:

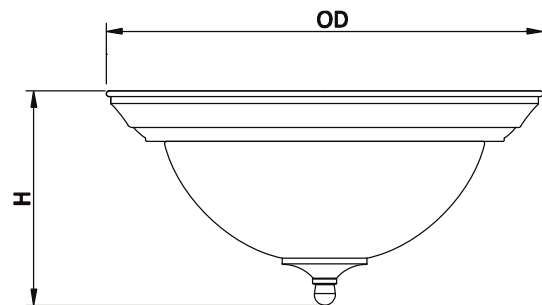
Our LED Lola Pendant is a classic fixture that can be surface mounted to the ceiling. Available in a nickel, bronze or white finish. Great for any residential or commercial applications.

### Features:

- Input Power: AC 120-277V
- Power Consumption: 12W or 17W
- Lumens Output: 1000 LM or 1300 LM
- Lens: Frosted glass or Alabaster Glass
- Lighting control options available.
- L70 Lifetime: >50,000 hours
- CRI >90
- Available Color Options: 3000K, 3500K, 4000K, 5000K
- Operating temperature: -4°F ~ 104°F
- Finish: Nickel, Bronze, or White
- Suitable for damp locations.
- 7 Year Warranty.



### Dimensions:



•Dimensions: (OD) 11.4 (H) 5.2



Date:	_____
Project:	_____
Price:	_____

## Ordering Key:

SERIES NUMBER	WATTAGE / LUMENS	CCT	FINISH	ADDITIONAL OPTIONS
ILPFLOSP	12W- 1000 LM	30 - 3000K	BR - BRONZE	
	17W- 1300 LM	35 - 3500K	WH - WHITE	
		4 - 4000K	NI - NICKEL	
		5 - 5000K		

SAMPLE ITEM NUMBER: ILPFLOSP 17W 35 BR

## Applications:

- Residential
- Indoor
- Bathrooms
- Commercial
- Retail

## Electrical Data:

- **Input power:** Stays consistent over life
- **Input Voltage:** 120-277VAC
- **Operating Temperature:** -4°F ~ 104°F
- **CRI:** >90
- **L70 Lifetime:** ~50,000 hours

## Optical System:

- A unique combination of reflective & refractive optical components achieves a uniform, comfortable look while eliminating pixelation & color fringing.
- Parts work in unison to optimize light distribution, balancing the high delivery of high illuminance levels on horizontal surfaces with an ideal amount of light on walls and vertical surfaces, increasing perception of spaciousness.

