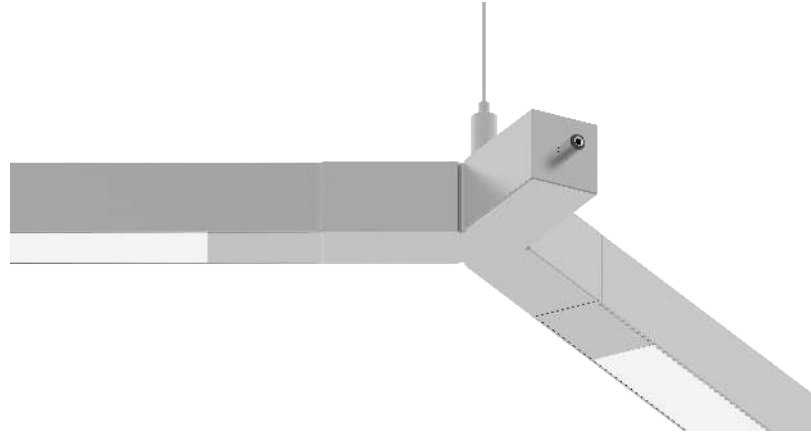


Date:	_____
Project:	_____
Price:	_____

# The Oliver Rotatable Linear

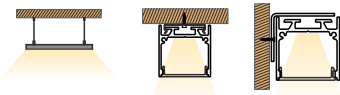
## Description:

The Oliver Rotatable Linear is a unique piece with a variety of connection options. This are a smart energy saving solution for offices, lobbies, residential and retail locations.

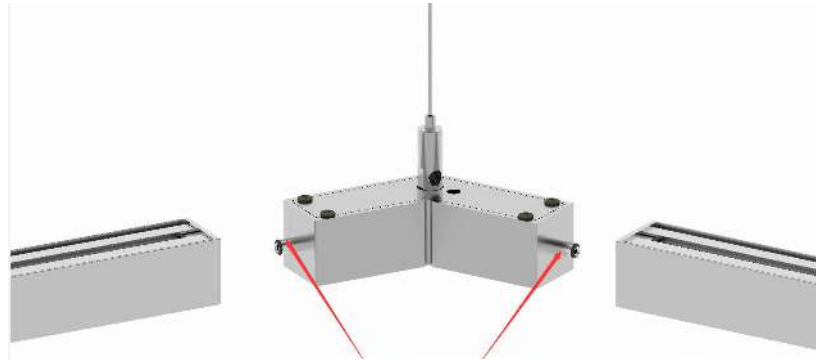


## Features:

- Finish: Silver
- Mounting: Suspended, Surface, or Wall Mounted

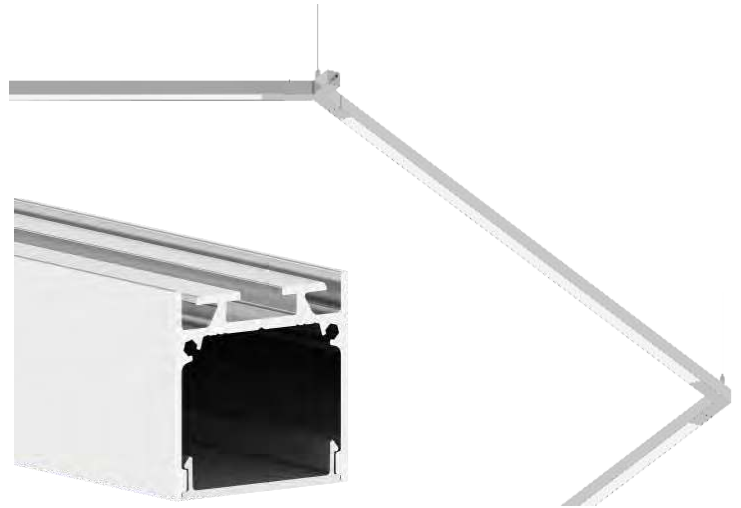
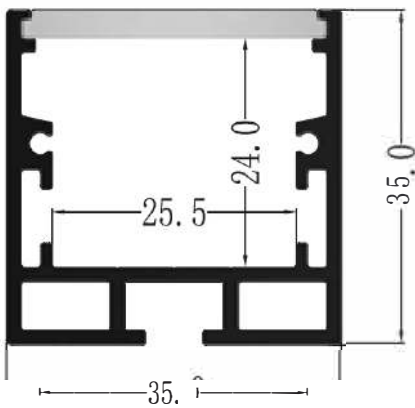


- Construction: Aluminum end cap & profile.
- Diffuser: Frosted.
- Length: 4FT, 5FT, or 6FT



360° Rotatable

## Dimensions:



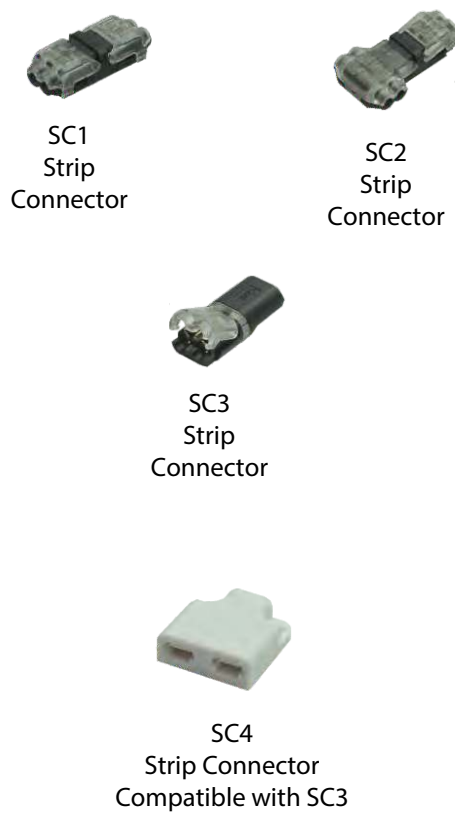
Date:	_____
Project:	_____
Price:	_____

**Strip:**

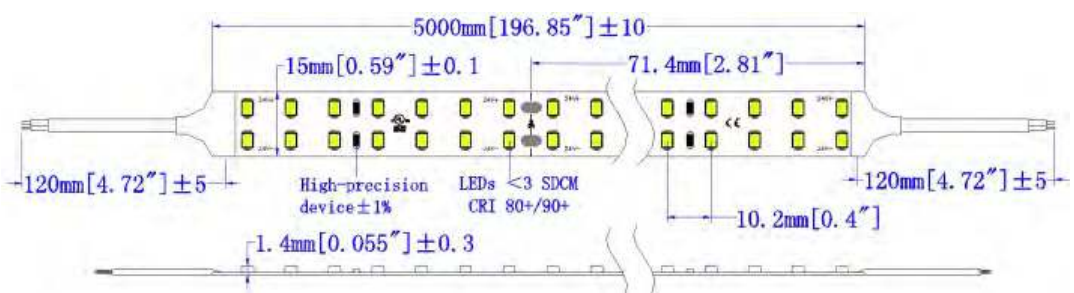


- Power: 6.16 W/FT
- Voltage: 24Vdc
- Lumens: 790 LM/FT or 135LM/W
- Cutting: 23.4 FT/Unit
- Beam Angle: 120°
- IP Rating: IP20, IP55, IP66, or IP67.
- Rated life: 50,000 hours
- CRI>90
- Available in 2700K, 3000K, 4000K, or 6000K.
- Dimming: Triac, 0-10V, or Smart.

**Compatible Additional Options:**



**Dimensions:**



Date:	_____
Project:	_____
Price:	_____

## Ordering Key:

SERIES NUMBER	LENGTH	WATTAGE	CCT	FINISH	DIMMING	CONNECTION
ILLLOVBV	4F - 4FT	XW - INPUT	27K - 2700K	BK - BLACK	DM - 0-10V DIMMING	SC1 - SC1
	6F - 6FT	WATTAGE	3K - 3000K	WH - WHITE	TDM - TRIAC DIMMING	SC2 - SC2
	8F - 8FT		35K - 3500K		SDM - SMART DIMMING	SC3 - SC3
	X - CUSTOM LENGTH		4K - 4000K		NDM - NO DIMMING	SC4 - SC4
	* PLEASE SPECIFY LENGTH IN INCHES		6K - 6000K			

SAMPLE ITEM NUMBER: ILLLOVBV 4F XW 3K WH TDM

### Electrical Data:

- **Input Power:** Stays consistent over life.
- **Input Voltage:** 24Vdc
- **CRI:** >90
- **L70 Lifetime:** >50,000 hours.

### Optical System:

- A unique combination of reflective & refractive optical components achieves a uniform, comfortable look while eliminating pixelation & color fringing.
- Parts work in unison to optimize light distribution, balancing the high delivery of high illuminance levels on horizontal surfaces with an ideal amount of light on walls and vertical surfaces, increasing perception of spaciousness.



Date:	_____
Project:	_____
Price:	_____

**Application Photos:**



Date: \_\_\_\_\_  
 Project: \_\_\_\_\_  
 Price: \_\_\_\_\_

### Connection Options:






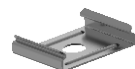
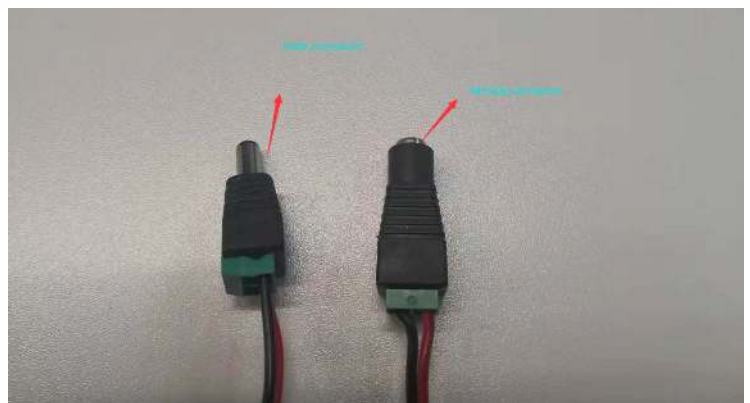
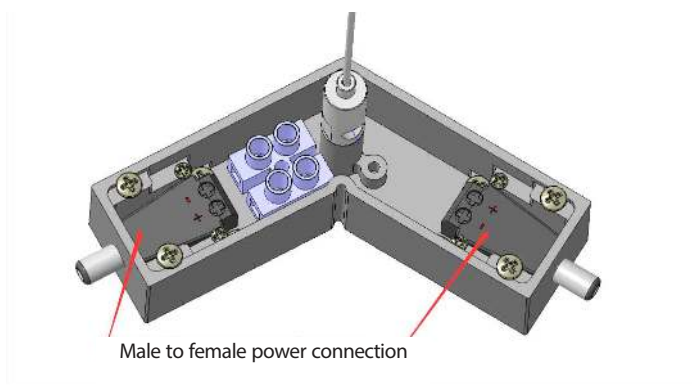
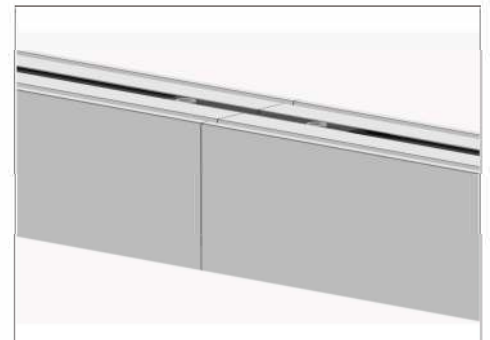
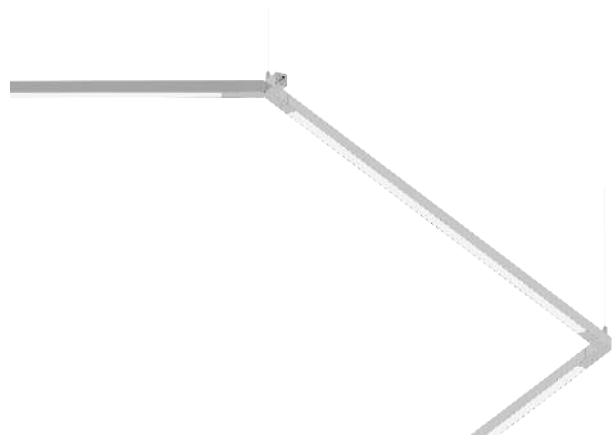
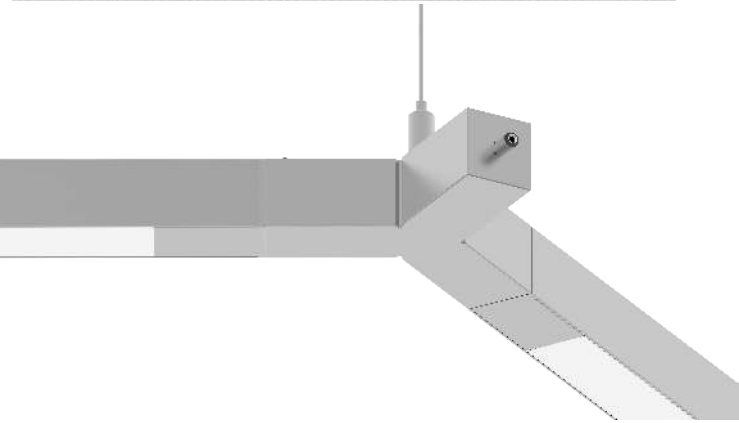
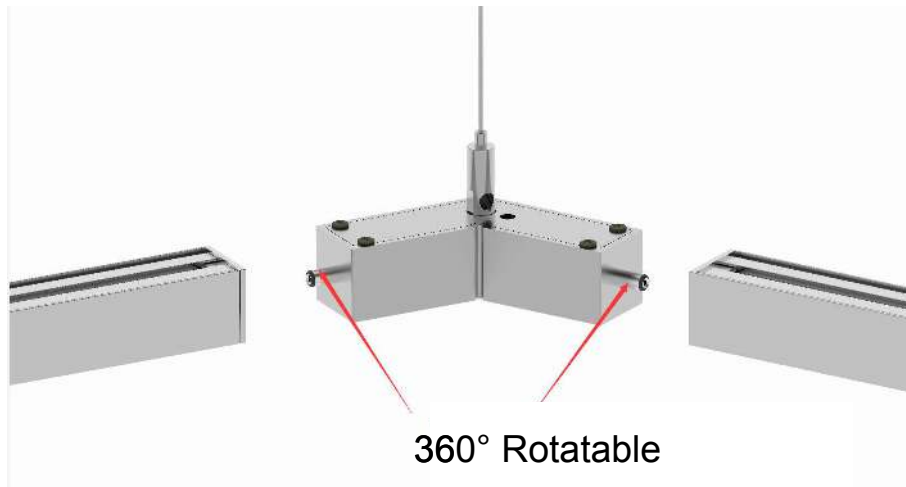
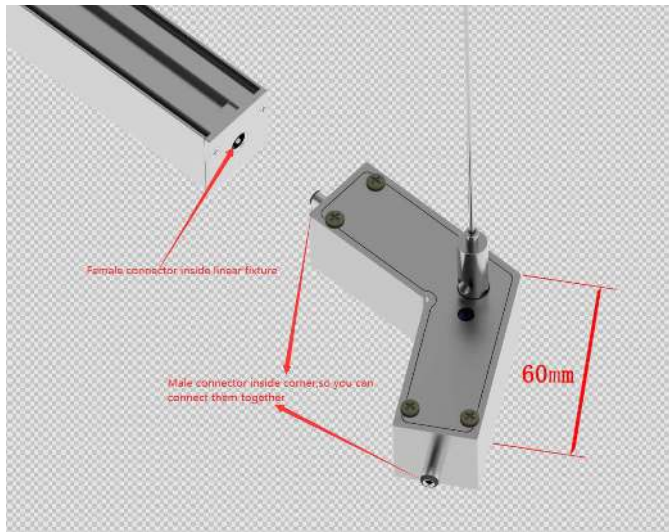
Photo	Description	Model code
	Pendant	PM
	6FT Suspension	6S
	12FT Suspension	12S

Photo	Description	Model code	Size(mm)
	Connection	CC0	50(L)*10(W)*2(H)
	Wall mounted	WM	
	Surface mounted	SM	

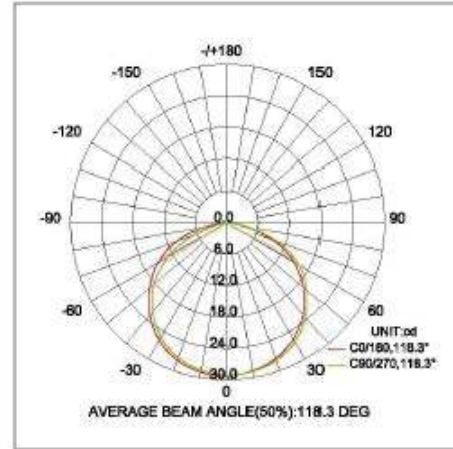
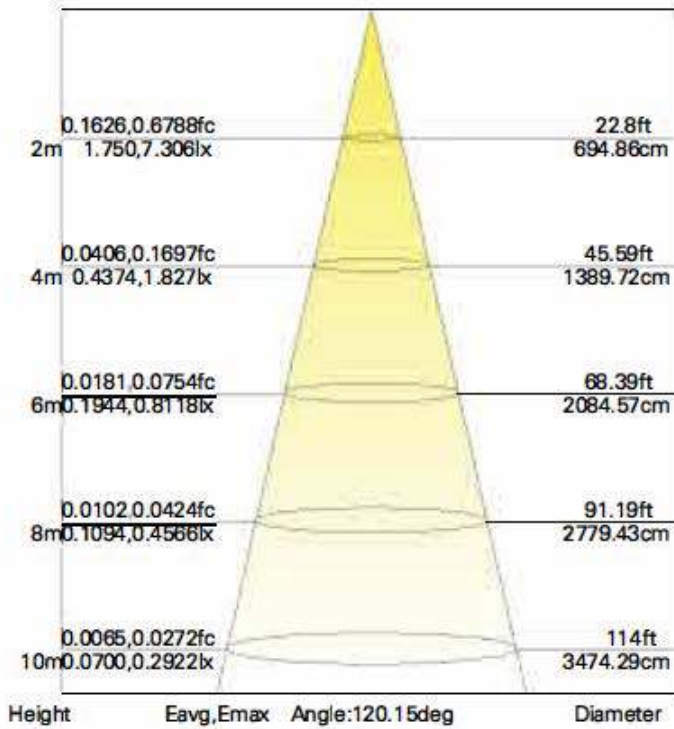


Date:	_____
Project:	_____
Price:	_____

### Connection Options:



## Photometrics: Strip Option 1



## Photometrics: Strip Option 2

