



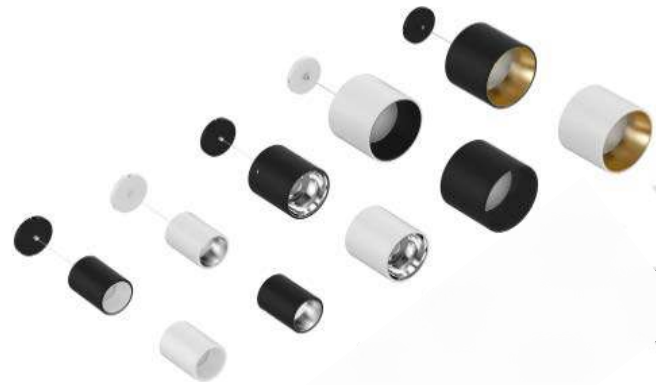
i-LUMINOSITY
LED LIGHTING FIXTURES

Date:	_____
Project:	_____
Price:	_____

Kora LED Pendants:

Description:

Our Kora LED Pendants can be surface mounted or pendant mounted. Offered with an array of reflectors and trim color options. These pendants are a smart energy saving solution for offices, lobbies, residential and retail locations.



Module Options:

4 INCH:



- Wattage/ Lumens: 7W, 8W, 9.5W, 12W, 13.5W, 15W / 110LM/W
- Finish: Black or White.
- Size: 4IN
- Dimming: 1-10V or Triac
- Voltage: 110-277V or 120

- Beam Angle: 55° or 85°
- Reflector:



Specular Silver Black Gold White

- Rated life: 50,000 hours
- CRI>90
- Available in 1 CCT or 3CCT Tuneable
- IP54 rated,
- Darklight reflector minimize glare
- Deep regression up to 30° cut-off
- UGR 19, UGR 22
- Operating temperature: -5F - 104F
- 7 Year Warranty.

6 INCH



- Wattage/ Lumens: 7W, 8W, 9.5W, 12W, 13.5W, 15W / 110LM/W
- Finish: Black or White.
- Size: 6IN
- Dimming: 1-10V or Triac
- Voltage: 110-277V or 120

- Beam Angle: 55° or 85°
- Reflector:



Specular Silver Black Gold White

- Rated life: 50,000 hours
- CRI>90
- Available in 1 CCT or 3CCT Tuneable
- IP54 rated,
- Darklight reflector minimize glare
- Deep regression up to 30° cut-off
- UGR 19, UGR 22
- Operating temperature: -5F - 104F
- 7 Year Warranty.



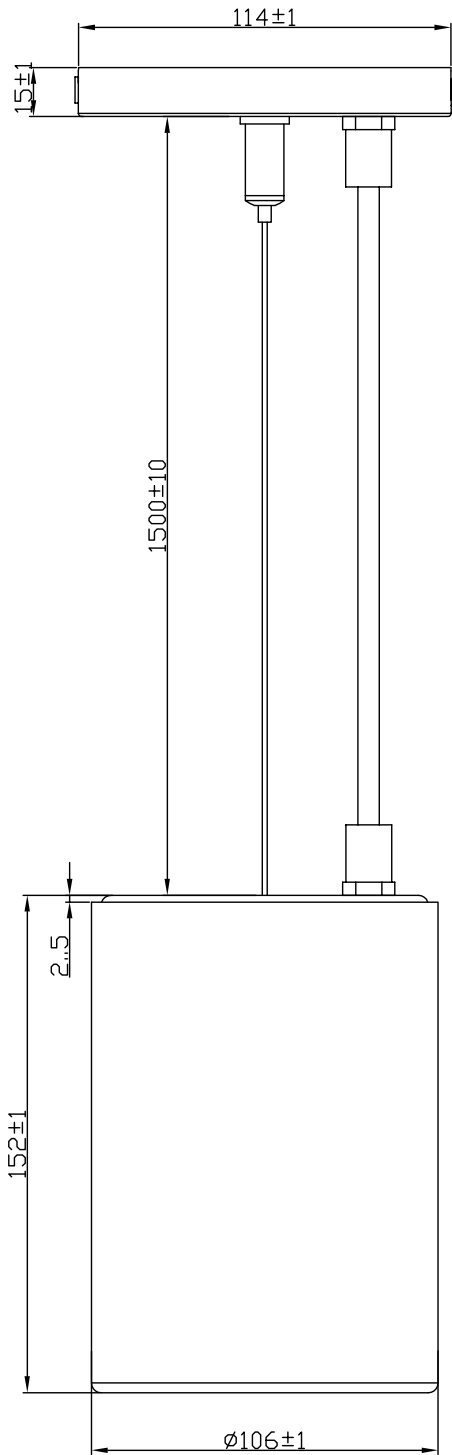


i-LUMINOSITY
LED LIGHTING FIXTURES

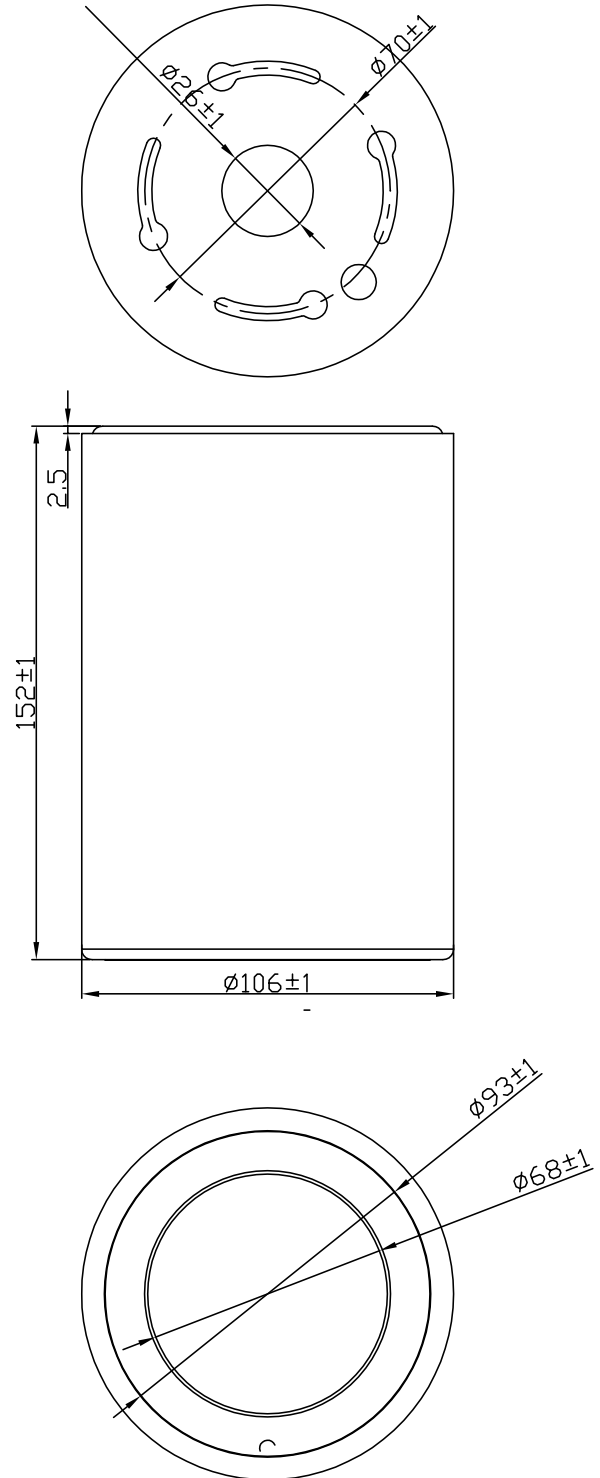
Date:	_____
Project:	_____
Price:	_____

4 IN Dimensions:

Pendant



Surface Mount



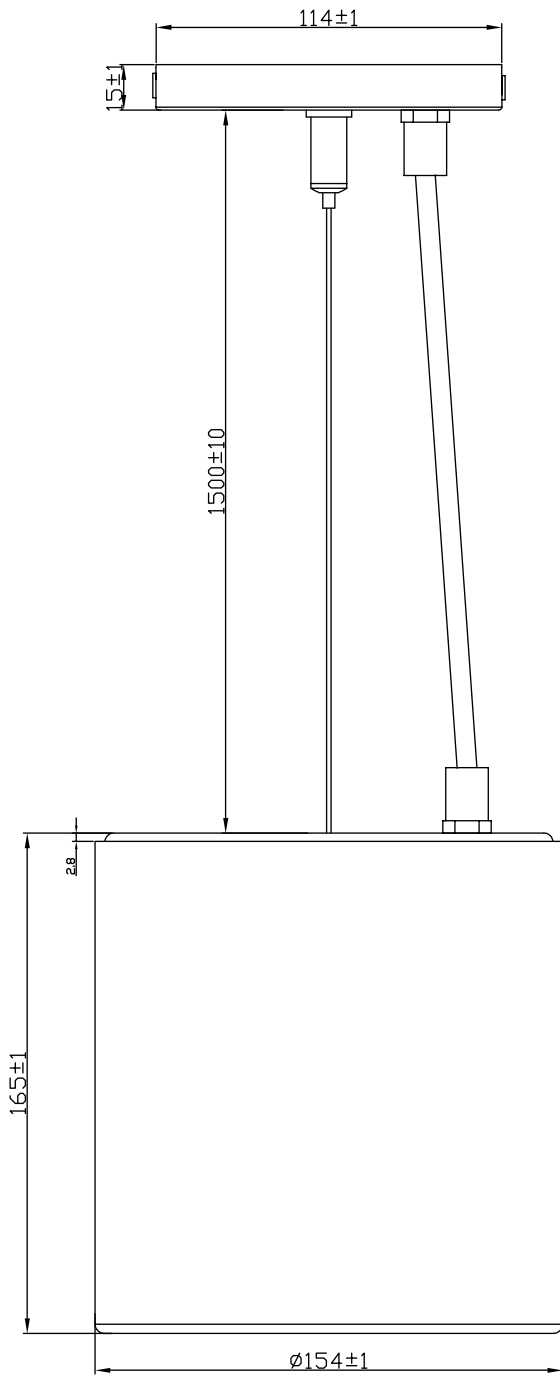


i-LUMINOSITY
LED LIGHTING FIXTURES

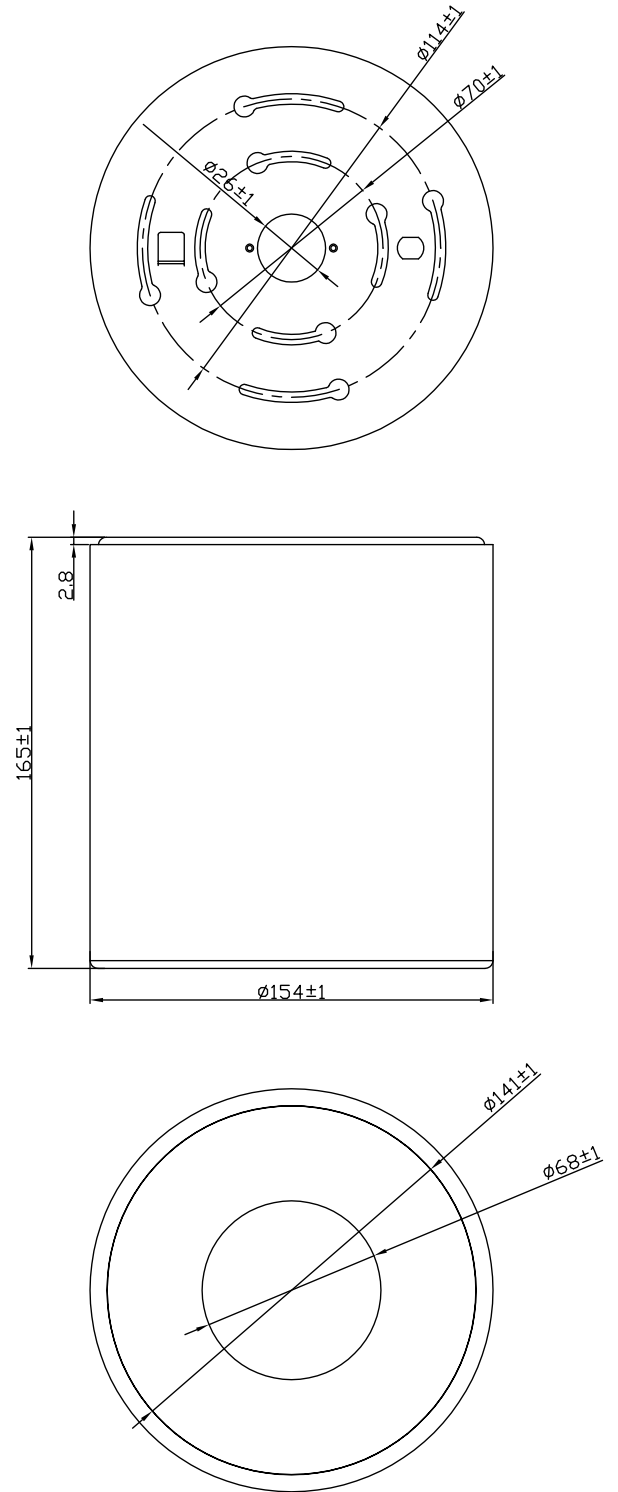
Date:	_____
Project:	_____
Price:	_____

6 IN Dimensions:

Pendant



Surface Mount





i-LUMINOSITY
LED LIGHTING FIXTURES

Date:	_____
Project:	_____
Price:	_____

Module Options:

8 INCH:



10 INCH



- Wattage/ Lumens: 17W, 21W, 25.5W,30W,34W / 110LM/W
- Finish: Black or White.
- Size: 8IN
- Dimming: 1-10V or Triac
- Voltage: 110-277V or 120
- Beam Angle: 55° or 85°
- Reflector:

- Wattage/ Lumens: 17W, 21W, 25.5W,30W,34W / 110LM/W
- Finish: Black or White.
- Size: 10 IN
- Dimming: 1-10V or Triac
- Voltage: 110-277V or 120
- Beam Angle: 55° or 85°
- Reflector:



Specular Silver Black Gold White



Specular Silver Black Gold White

- Rated life: 50,000 hours
- CRI>90
- Available in 1 CCT or 3CCT Tuneable
- IP54 rated,
- Darklight reflector minimize glare
- Deep regression up to 30° cut-off
- UGR 19, UGR 22
- Operating temperature: -5F - 104F
- 7 Year Warranty.

- Rated life: 50,000 hours
- CRI>90
- Available in 1 CCT or 3CCT Tuneable
- IP54 rated,
- Darklight reflector minimize glare
- Deep regression up to 30° cut-off
- UGR 19, UGR 22
- Operating temperature: -5F - 104F
- 7 Year Warranty.



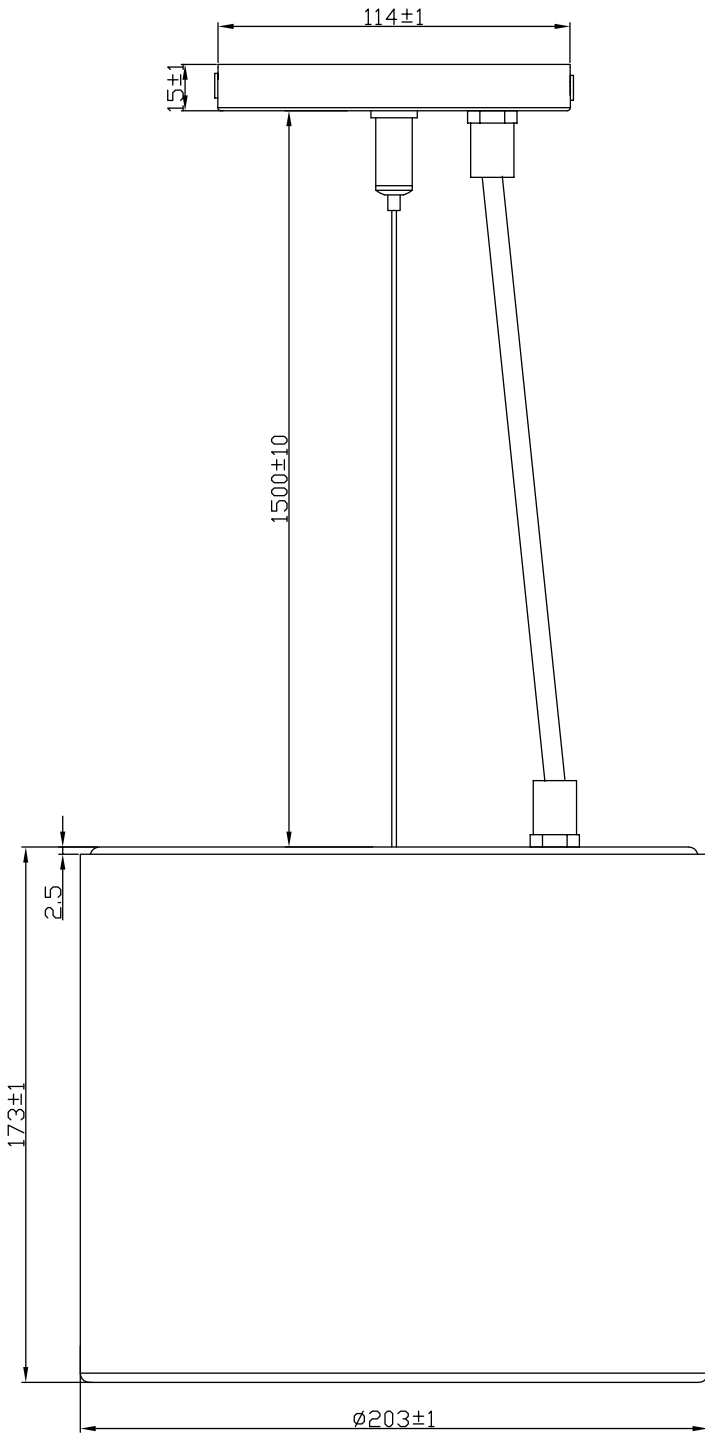


i-LUMINOSITY
LED LIGHTING FIXTURES

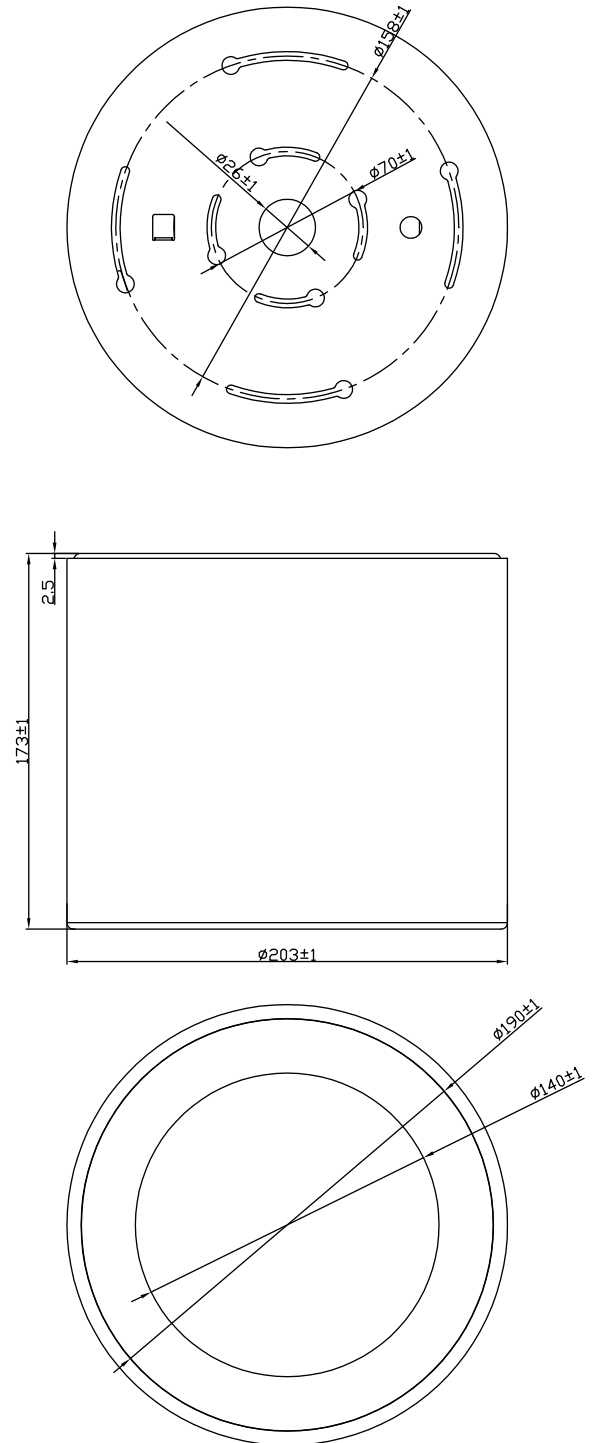
Date:	_____
Project:	_____
Price:	_____

8 IN Dimensions:

Pendant



Surface Mount



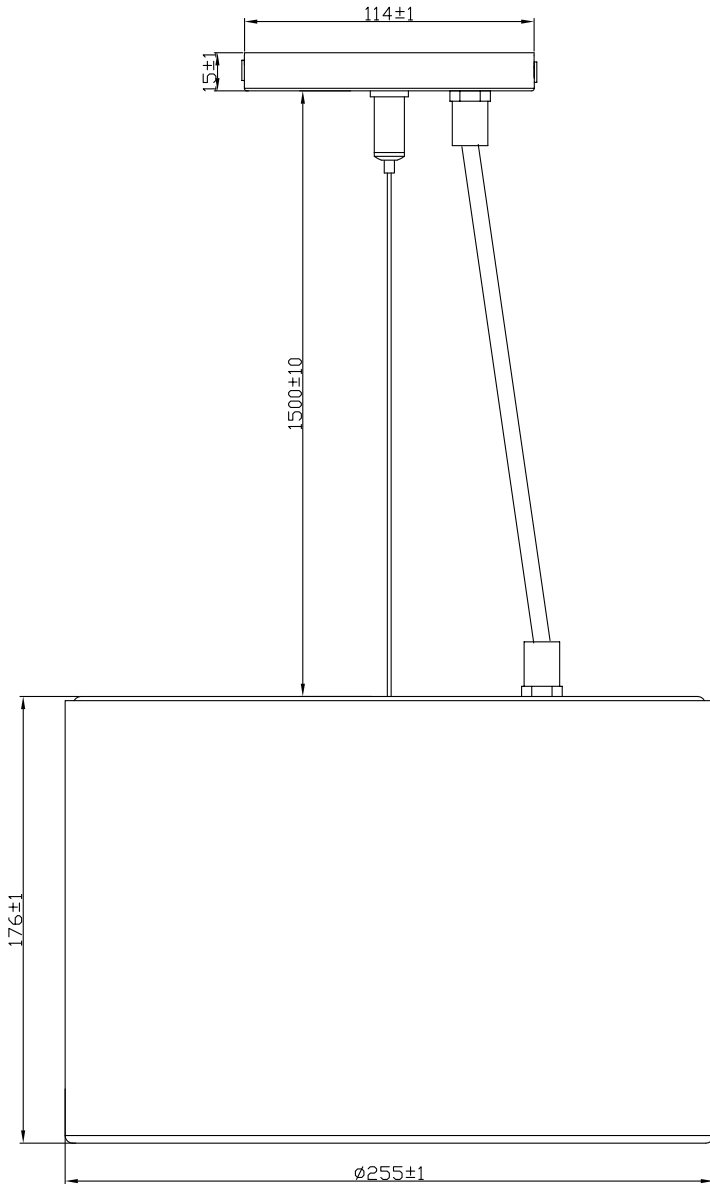


i-LUMINOSITY
LED LIGHTING FIXTURES

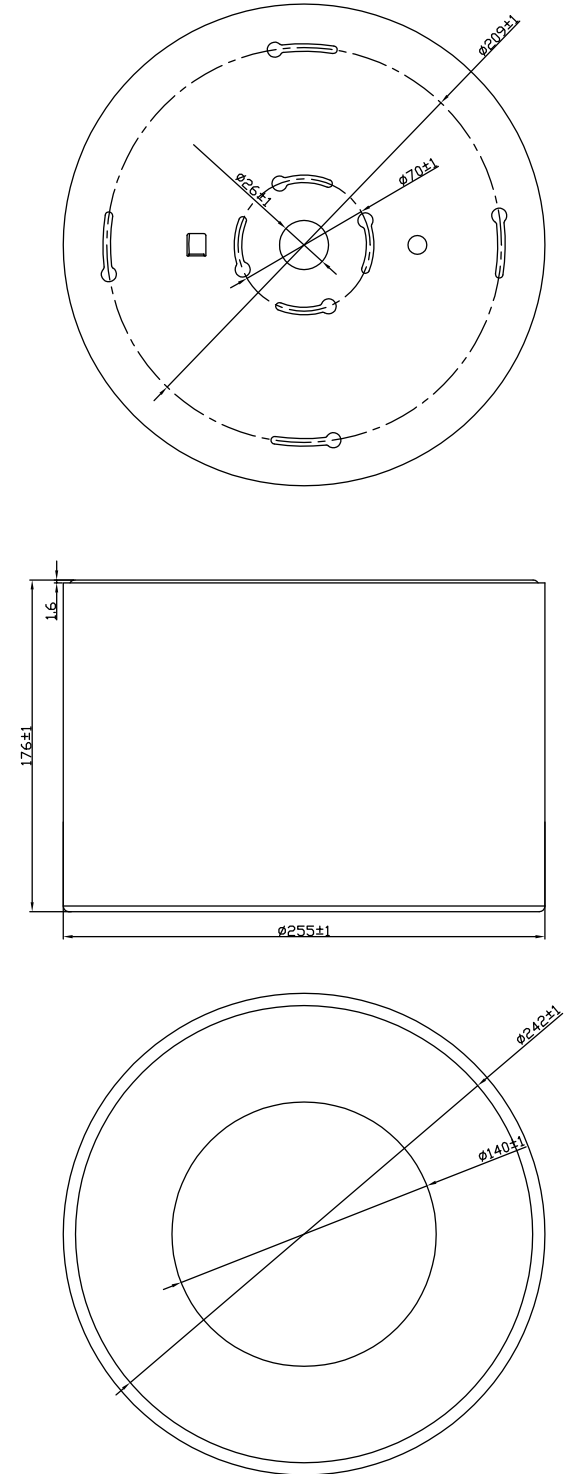
Date:	_____
Project:	_____
Price:	_____

10 IN Dimensions:

Pendant



Surface Mount





i-LUMINOSITY
LED LIGHTING FIXTURES

Date:	_____
Project:	_____
Price:	_____

Module Options: 12 INCH:



- Wattage/ Lumens: 17W, 21W, 25.5W, 30W, 34W / 110LM/W
- Finish: Black or White.
- Size: 12 IN
- Dimming: 1-10V or Triac
- Voltage: 110-277V or 120
- Beam Angle: 55° or 85°
- Reflector:



Specular Silver Black Gold White

- Rated life: 50,000 hours
- CRI > 90
- Available in 1 CCT or 3 CCT Tuneable
- IP54 rated,
- Darklight reflector minimize glare
- Deep regression up to 30° cut-off
- UGR 19, UGR 22
- Operating temperature: -5F - 104F
- 7 Year Warranty.



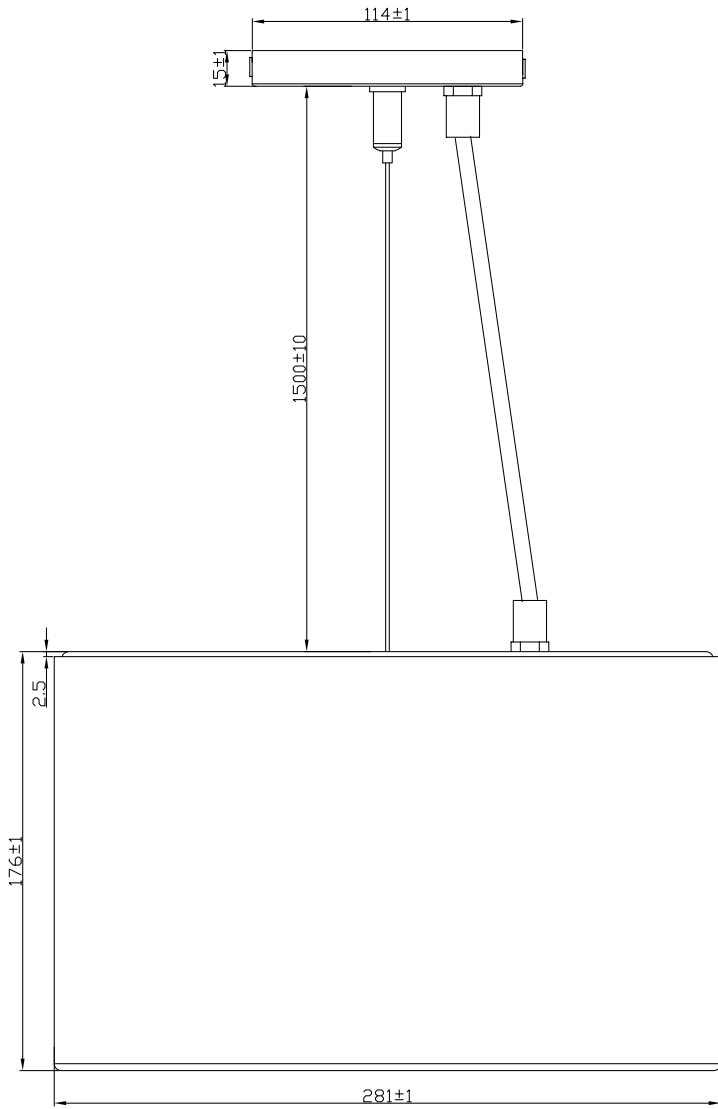


i-LUMINOSITY
LED LIGHTING FIXTURES

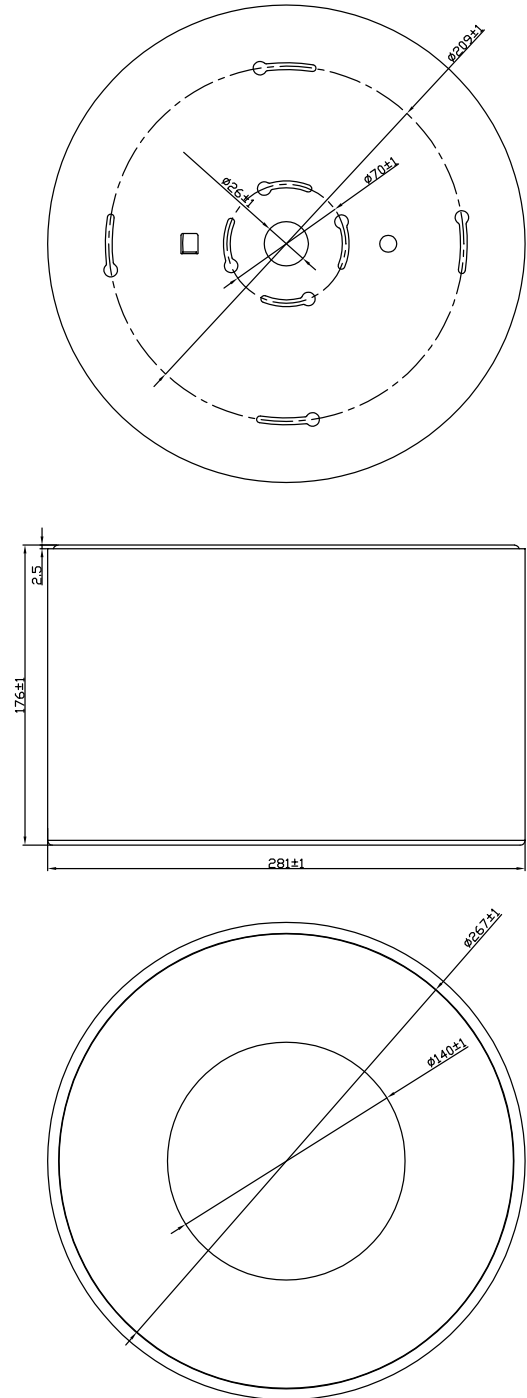
Date:	_____
Project:	_____
Price:	_____

12 IN Dimensions:

Pendant



Surface Mount



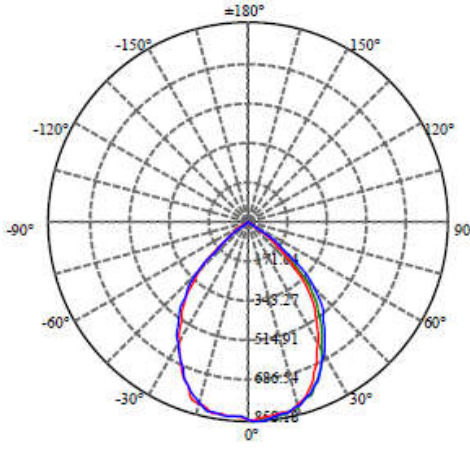


i-LUMINOSITY
LED LIGHTING FIXTURES

Date: _____
Project: _____
Price: _____

Photometrics:

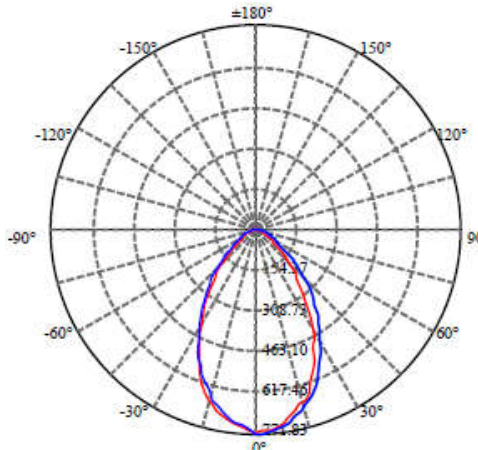
Specular:



1.0m	858.2, 427.6 lx	170.43cm
2.0m	214.5, 106.9 lx	340.86cm
3.0m	95.4, 47.5 lx	511.29cm
4.0m	53.6, 26.7 lx	681.71cm
5.0m	34.3, 17.1 lx	852.14cm
6.0m	23.8, 11.9 lx	1022.57cm
8.0m	13.4, 6.7 lx	1363.43cm

Max, Ave Beam angle of C30 plane 60.87

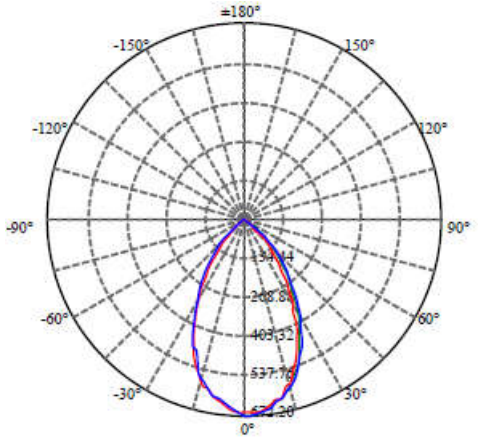
Black:



1.0m	771.8, 402.0 lx	140.04cm
2.0m	193.0, 100.5 lx	280.08cm
3.0m	85.8, 44.7 lx	420.12cm
4.0m	48.2, 25.1 lx	560.17cm
5.0m	30.9, 16.1 lx	700.21cm
6.0m	21.4, 11.2 lx	840.25cm
8.0m	12.1, 6.3 lx	1120.33cm

Max, Ave Beam angle of C90 plane 70.00

White:



1.0m	672.2, 387.8 lx	119.54cm
2.0m	168.0, 97.0 lx	239.08cm
3.0m	74.7, 43.1 lx	358.62cm
4.0m	43.0, 24.2 lx	478.16cm
5.0m	26.9, 15.5 lx	597.70cm
6.0m	18.7, 10.8 lx	717.24cm
8.0m	10.5, 6.1 lx	956.32cm

Max, Ave Beam angle of C30 plane 61.73

