



i-LUMINOSITY
LED LIGHTING FIXTURES

Date:	_____
Project:	_____
Price:	_____

LED Grace Exit Sign

Description:

Our LED Grace Exit Sign is a single or double faced sign with an ultra-bright, energy efficient, long lasting, red LED light which provides consistent and uniform illumination, guiding your way to safety.

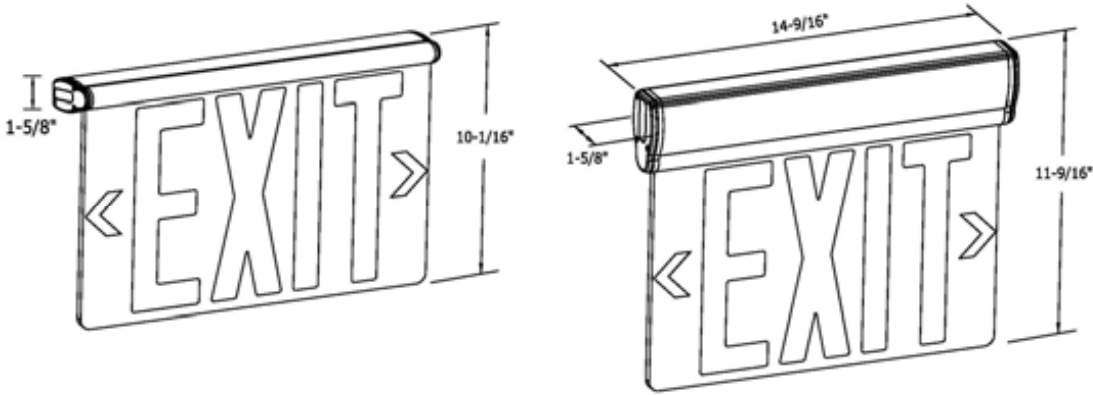
Features:

- Input Power: 120-277VAC.
- NYC Approved fixture; 8" height red exit sign.
- UL listed and meets or exceed all requirement in NFPA 70, NFPA 101 life safety code.
- Construction: Aluminum housing with high grade acrylic panel.
- Removable directional indicators.
- Single and double face optional.
- Suitable for damp location.
- Test switch and charge rate indicator.
- Self-test and Self-diagnostics function is available for battery backup model.
- Finish: White
- L70 Lifetime: >50,000 hours.
- Mounting: Surface or Wall Mount



Date:	_____
Project:	_____
Price:	_____

Dimensions:



Ordering Key:

ILNYEXGCGR

SERIES NUMBER	# OF FACES	LETTER	FINISH	PANEL	ADDITIONAL OPTIONS
ILNYEXGCGR	1F - SINGLE FACE	R - RED	WH - WHITE	M - MIRROR	SDT - SELF DIAGNOSTIC 4W
	2F - DOUBLE FACE			C - CLEAR	

SAMPLE ITEM NUMBER: ILNYEXGCGR 4W 2F R BL SDT

