



i-LUMINOSITY
LED LIGHTING FIXTURES

Date:	_____
Project:	_____
Price:	_____

Chloe Track Light:

Description:

Our high-power, Chloe Track Light is comparable for a 3 pin or 4 pin track . Available in white, black, or silver, this fixture is perfect for museums, offices, or retail applications.

Features:

- Wattage: 30W
- 95 LM/W
- Dimming: 1-10V, Triac or DALI.
- 3-pin or 4-pin track adaptor
- Finish: White, Black, or Silver.
- L70 Lifetime: >100,000 hours
- CRI >90
- Mounting: H-Track
- Operating temperature: -4°F ~ 104°F
- Available color options: 3000K or 4000K
- Voltage: 120V
- Beam angle: 15°, 20°, 30°, 60°, 20° x 40°, 10° x 60° narrow, medium and wide beams, also can be wall washer
- Rotatable: 360°+ rotation without dead angle and 90°vertical aiming.
- 7 Year Warranty.



Different lens for spotlights & flood lights



Optimal cooling system



Intelligent joints able to hold at any angle

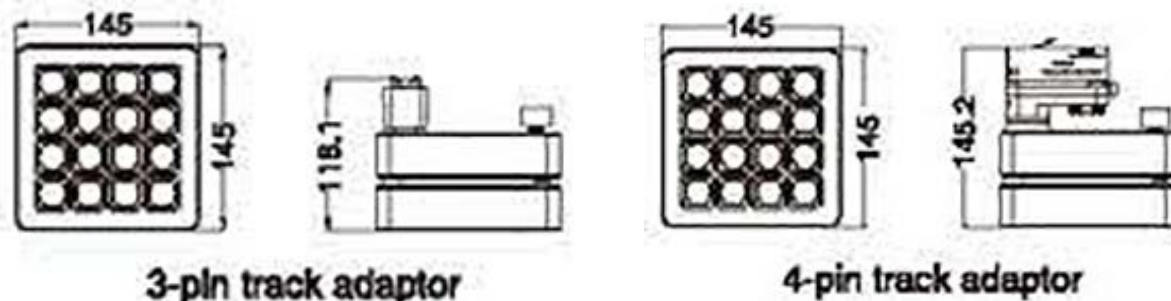


Built in dimmer (1-10V dimming)



Date:	_____
Project:	_____
Price:	_____

Dimensions:



Ordering Key:

SERIES NUMBER	WATTAGE/ LUMENS	CCT	BEAM ANGLE	FINISH	ADDITIONAL OPTIONS
ILTLCTEN	30W - 30W / 2,500	3 - 3000K	15 - 15°	WH - WHITE	DM - 1-10V DIMMING
		4 - 4000K	20 - 20°	S - SILVER	TD - TRIAC DIMMING
			30 - 30°	BL - BLACK	DD - DALI DIMMING
			45 - 45°		HC - HONEYCOMB FILTER
			60 - 60°		
			24 - 20x 40°		
		60 - 10x60°			

SAMPLE ITEM NUMBER: ILTLCTEN 30W 3 20 S DM

Electrical Data:

- **Input power:** Stays consistent over life
- **Input Voltage:** 120VAC
- **Operating Temperature:** -4°F ~ 104°F
- **CRI:** >90
- **L70 Lifetime:** >100,000 hours

Optical System:

- A unique combination of reflective & refractive optical components achieves a uniform, comfortable look while eliminating pixelation & color fringing.
- Parts work in unison to optimize light distribution, balancing the high delivery of high illuminance levels on horizontal surfaces with an ideal amount of light on walls and vertical surfaces, increasing perception of spaciousness.



Date:	_____
Project:	_____
Price:	_____

Photometrics:

