



**i-LUMINOSITY**  
LED LIGHTING FIXTURES

Date:	_____
Project:	_____
Price:	_____

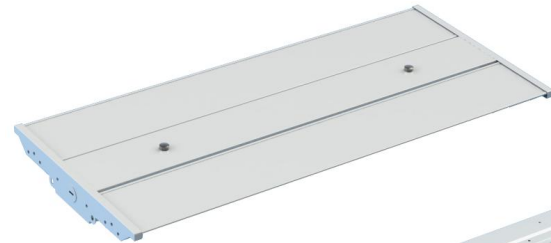
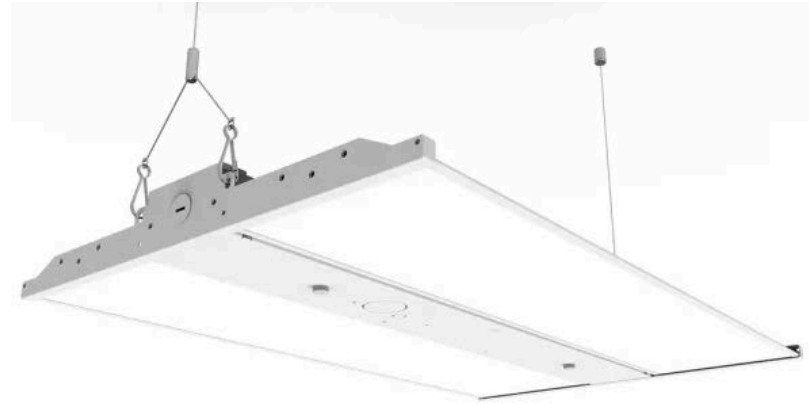
# Walker High Bay

## Description:

Our Walker High Bay is dimmable with the option of adding a motion sensor internally or externally. Ideal applications range from warehouses, storage facilities, back of house, or any application with high ceilings in need of a high lumen output with 130 LM/W.

## Features:

- 100-277V or 100-347V optional
- Power Settable in Standard or CCT Settable optional - 3500K, 4000K, 5000K
- Ultra-thin Design, only 1.59" in Height;
- High luminous efficiency up to 130Lm/W ;
- Dimmable with compatible 0-10V dimmer;
- 0.8mm thick white-painted RAL9016 steel housing;
- PS diffuser, optional cage.
- Beam Angle: 120°
- CRI>90
- Motion Sensor: Internal or External
- 7 Year Warranty.



Back View



Front View

## Additional Options:

### Pendant Mount



### Motion Sensors



External

Internal



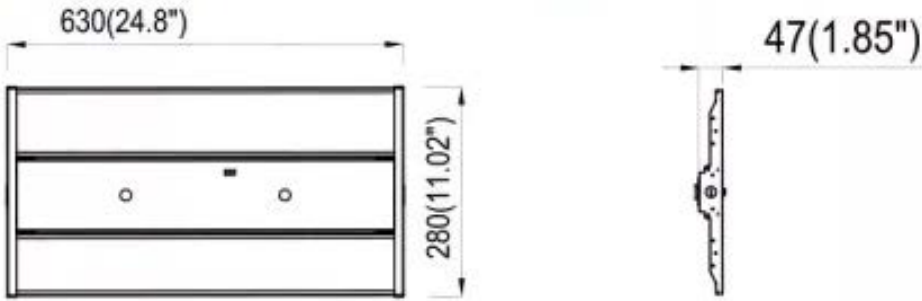


**i-LUMINOSITY**  
LED LIGHTING FIXTURES

Date:	_____
Project:	_____
Price:	_____

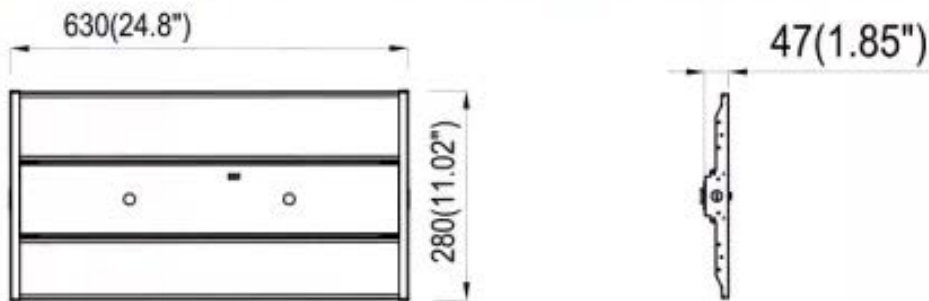
**Dimensions:**

**Slim 2FT: 60W/80W/ 100W & 125W/150W**



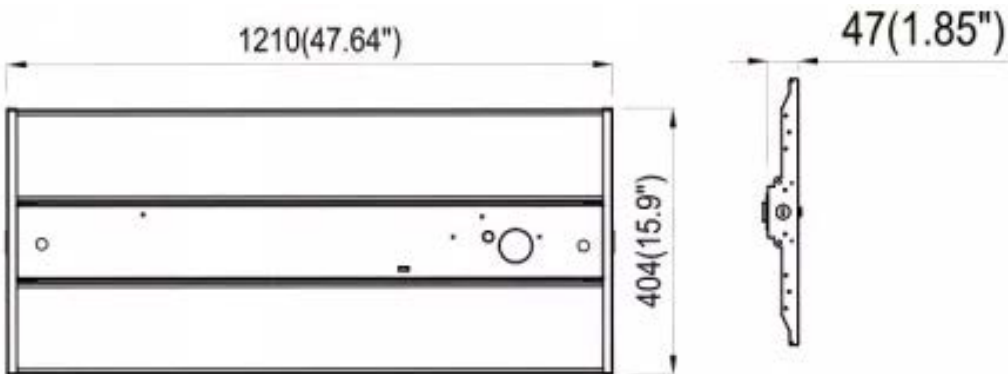
• Slim 2FT : (L) 24.8'×(W) 11.0"× (H) 1.59"

**Normal 2FT: 125W/150W/ 165W**



• Normal 2FT : (L) 24.8'× (W) 15.7"×(H) 1.59'

**4FT: 180W/200W/ 220W & 250W/300W**



• 4FT : ( L) 47.40"× (W) 15.7"× (H) 1.59'



Date:	_____
Project:	_____
Price:	_____

## Ordering Key:

ILHBWHCG

SERIES NUMBER	WATTAGE/ SIZE	CCT	VOLTAGE	ADDITIONAL OPTIONS
ILHBWHCG	6S - 60W/80W/100W / SLIM 2FT	35K - 3500K	27 - 100/277V	DIM - 0-10V DIMMING
	1S - 125W/ 150W / SLIM 2FT	4K - 4000K	34 - 100/347V	MI - MOTION SENSOR INTERNAL
	N2 - 125W/150W/165W / NORM 2FT	5K - 5000K		ME - MOTION SENSOR EXTERNAL
	14 - 180W/200W/220W / 4FT	TK - CCT TUNEABLE		2C - 2FT CAGE
	24 - 250W/300W / 4FT			4C - 4FT CAGE
	44 - 400W/ 4FT			PH - PENDANT HANGER

Sample Item Number: ILHBWHCG 24 5K 27 DIM

## Electrical Data:

- **Input power:** Stays consistent over life
- **Input Voltage:** 100-277V or 100-347V
- **CRI:** >90

## Optical System:

- A unique combination of reflective & refractive optical components achieves a uniform, comfortable look while eliminating pixelation & color fringing.
- Parts work in unison to optimize light distribution, balancing the high delivery of high illuminance levels on horizontal surfaces with an ideal amount of light on walls and vertical surfaces, increasing perception of spaciousness.

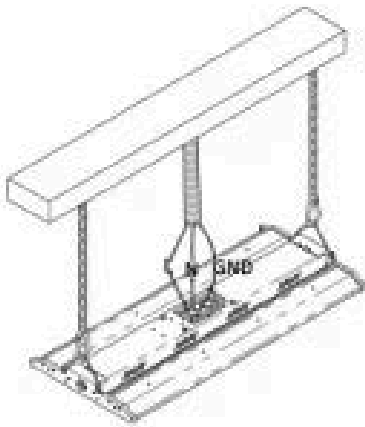


Date:	_____
Project:	_____
Price:	_____

## Installation:

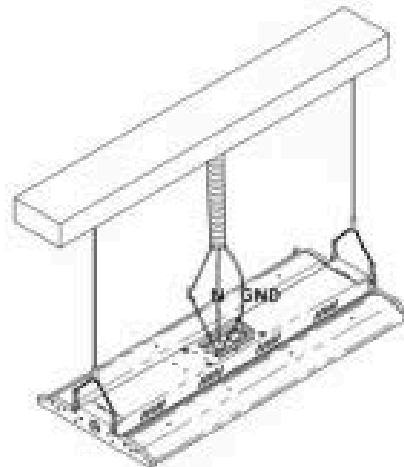
### ① Chain Suspension

1. Attached the V-hooks to the holes on the end of caps;
2. Hook the spring clips on the central of V-hook;
3. Adjust the chain length to secure the balance;
4. Connect the wire according to local wire rules, make good protection on the connection.



### ② Rope Suspension

1. Fix the rope on the holes on the back of mains by spring clips;
2. Fix the light on the rope;
3. Adjust the rope length accordingly;
4. Connect the wire according to local wire rules, make good protection on the connection.



### ③ 1/2" NPT Installation

1. Install the junction box to the fixture with screws;
2. Install the fixture on 1/2" NPT;
3. Connect the wire according to local wire rules, make good protection on the connection.

