



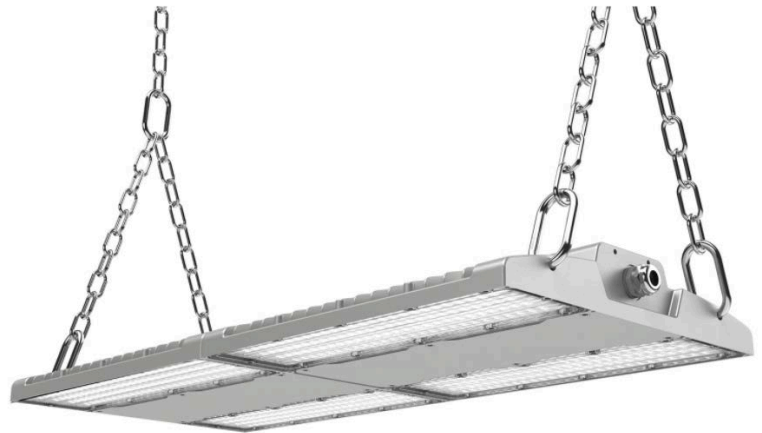
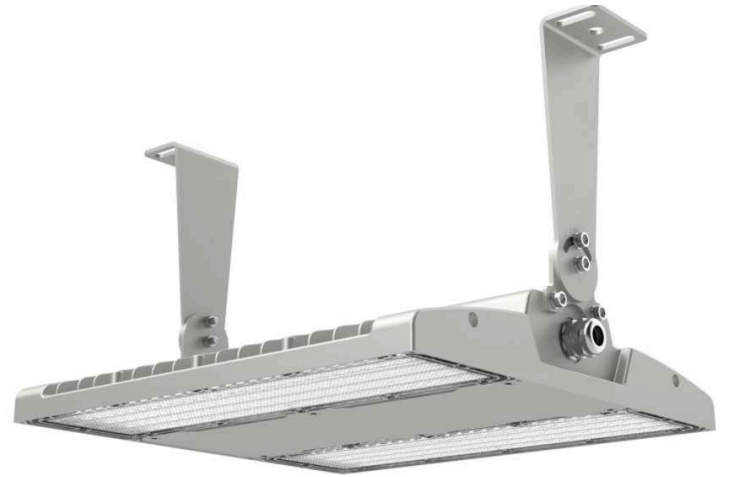
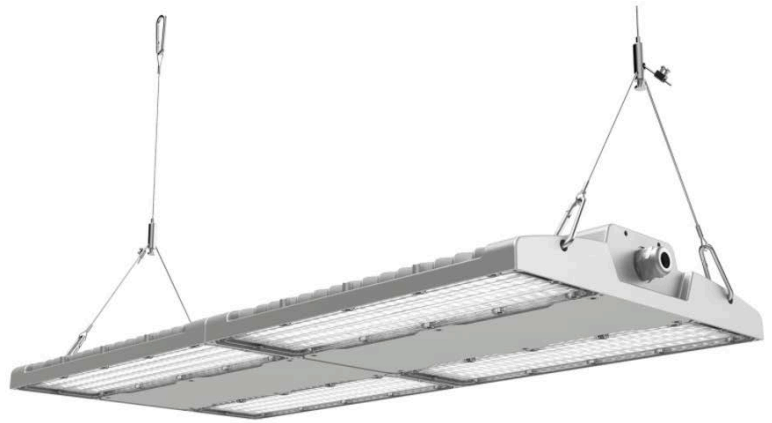
i-LUMINOSITY
LED LIGHTING FIXTURES

Date:	_____
Project:	_____
Price:	_____

Peyton High Bay

Description:

Our Peyton High Bay is great for indoor or outdoor applications, IP66. We continue to improve integral and customized intelligent control with a: PIR Sensor, Microwave Motion Sensor, photocell, Zigbee, as well as DALI, emergency function for huge energy savings.



Features:

- 220-240V
- Wattage: 100W, 150W, 200W, 240W, 300W, 400W, 480W.
- CCT: 3000K, 4000K, or 5000K
- Finish: Silver
- High luminous efficiency up to 155Lm/W
- IP66 IK10 rated
- Beam Angle: asymmetrical optic 40°*140°
- CRI>90
- Mounting: Suspension or ceiling mount.
- Smart control all in one, including PIR, Microwave motion sensor, Photocell, Zigbee, DALI, Emergency.
- 7 Year Warranty.

Dimensions:

- 100W & 150W: 13.38"×12.8"×2.36"
- 200W, 240W, 300W: 26.77"×12.8"×2.36"
- 400W & 480W: 40.16"×12.8"×2.36"



Date:	_____
Project:	_____
Price:	_____

Ordering Key:

SERIES NUMBER	WATTAGE/ LUMENS	CCT	FINISH	ADDITIONAL OPTIONS
ILHBP HAG	100 - 100W / 15,500	3K - 3000K	S - SILVER	SM - SMART CONTROL
	150 - 150W / 23,250	4K - 4000K		DL - DALI / ZIGBEE CONTROL
	200 - 200W / 31,000	5K - 5000K		MS - MICROWAVE / PIR SENSOR
	240 - 240W / 37,200			EM - EMERGENCY BACKUP
	300 - 300W / 46,500			
	400 - 400W / 62,000			
	480 - 480W / 74,400			

Sample Item Number: ILHBP
HAG 150 3K S MS

Electrical Data:

- **Input power:** Stays consistent over life
- **Input Voltage:** 220-240V
- **CRI:** >90

Optical System:

- A unique combination of reflective & refractive optical components achieves a uniform, comfortable look while eliminating pixelation & color fringing.
- Parts work in unison to optimize light distribution, balancing the high delivery of high illuminance levels on horizontal surfaces with an ideal amount of light on walls and vertical surfaces, increasing perception of spaciousness.

