



i-LUMINOSITY
LED LIGHTING FIXTURES

Date:	_____
Project:	_____
Price:	_____

LED Fae Downlight

Description:

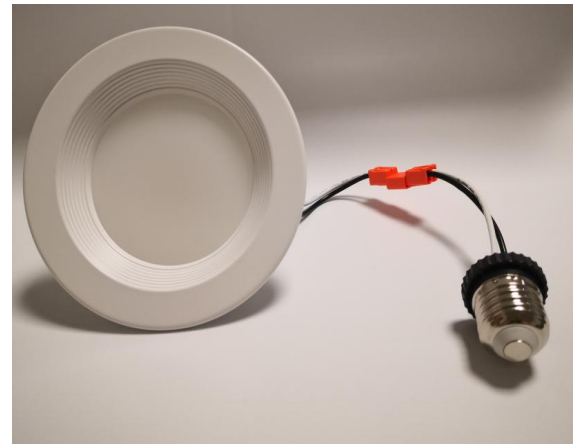
The LED Fae downlight is one of our compact designs. An aluminum housing offers great thermal management. This fitting can be used for retrofit or new construction installation. Suitable for commercial and residential applications like offices, supermarkets, shops, schools, hotels, restaurants, & workshops.

Features:

- Input Power: 120V-277V
- Wattage: 8W, 10W, 12W, 15W
- Shape: Square or Round
- Size: 4IN or 6IN
- 85 LM/W
- Beam Angle: 100°
- CRI >90
- CCT: 2700K, 3000K, 4000K, 5000K or CCT SELECTABLE 3K/4K/5K
- Baffle: Stepped Baffle or Smooth Baffle
- IP44
- Triac dimming
- L70 Lifetime: >50,000 hours.
- 7 Year Warranty.



Smooth Baffle



Stepped Baffle





i-LUMINOSITY
LED LIGHTING FIXTURES

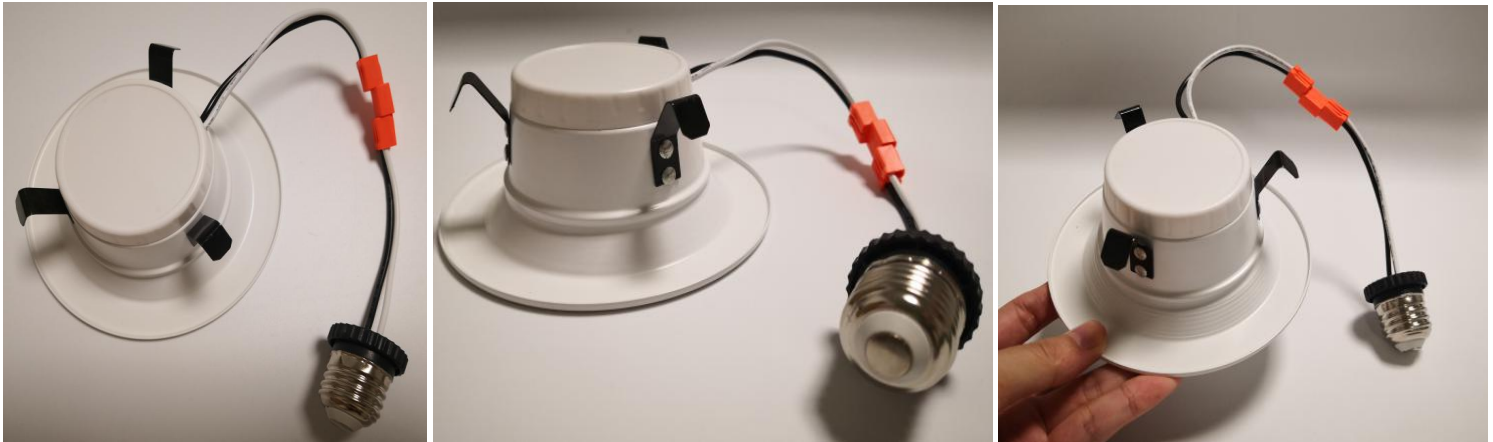
Date:	_____
Project:	_____
Price:	_____

Ordering Key:

SERIES NUMBER	SIZE	SHAPE	WATTAGE / LUMENS	CCT	ADDITIONAL OPTIONS
ILDFAKK	4- 4IN	SQ- SQUARE	8W- 8W / 680 LM	27K - 2700K	TD - TRIAC DIMMING
	6- 6IN	RD- ROUND	10W- 10W / 850 LM	3K - 3000K	SM - SMOOTH BAFFLE
			12W-12W / 1020 LM	4K - 4000K	ST - STEPPED BAFFLE
			15W- 15W / 1275 LM	5K - 5000K	
				CCT - CCT Tunable 3000K / 4000K / 5000K	

SAMPLE ITEM NUMBER: ILDLFAKK 4 RD 8W 27K TD

Detailed Photos:

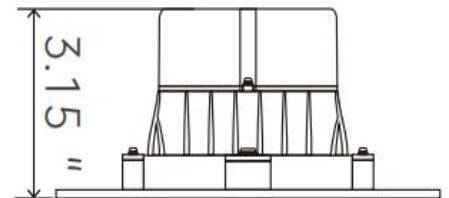
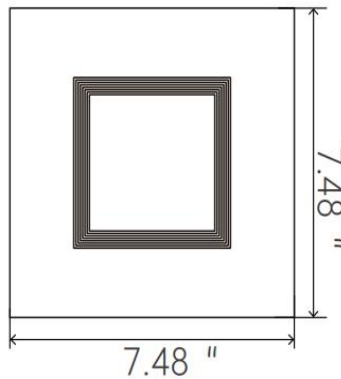
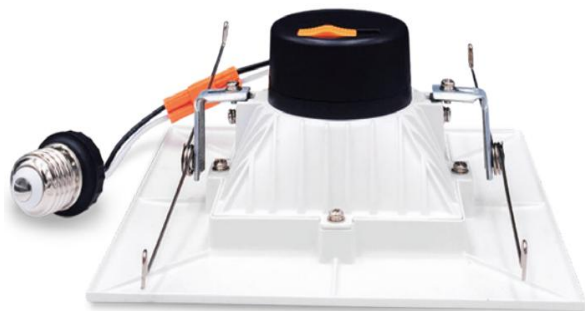
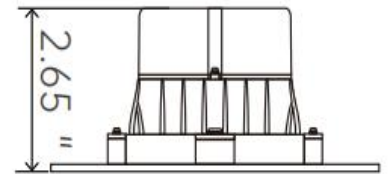
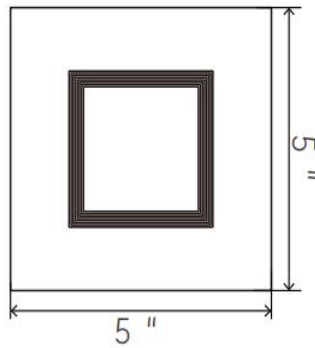
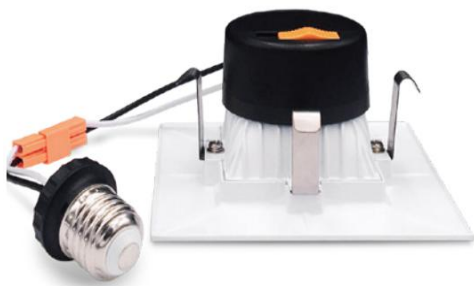
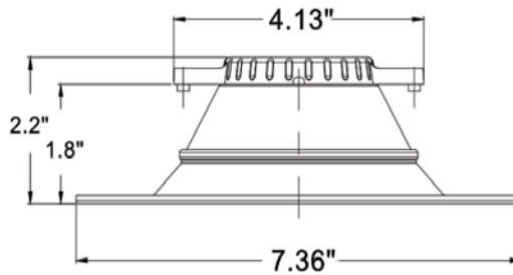
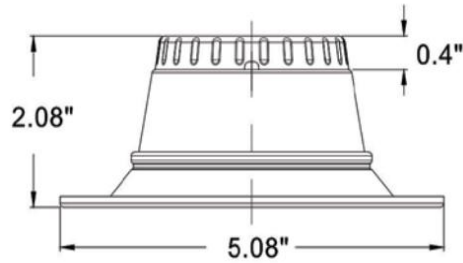


CCT Tunable Dimensions:



Date:	_____
Project:	_____
Price:	_____

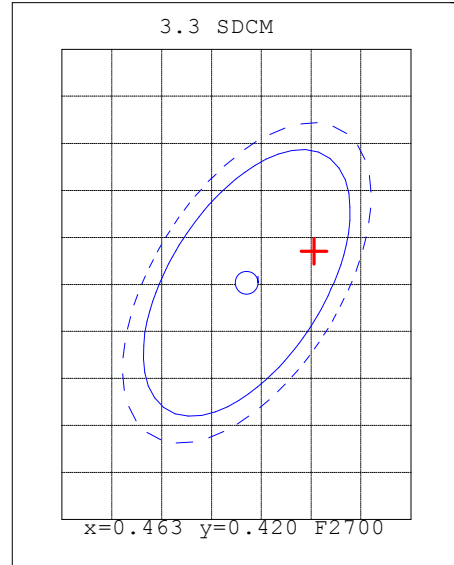
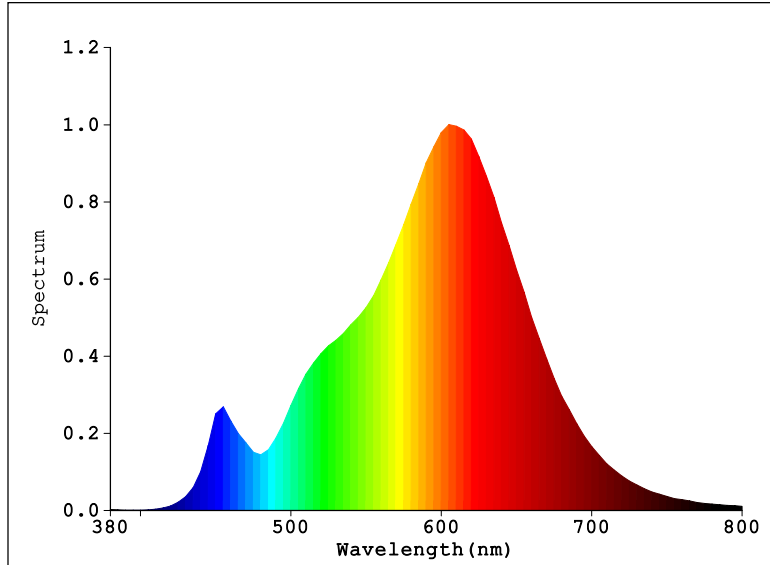
Dimensions:



Date:	_____
Project:	_____
Price:	_____

Photometrics:

Light Source Test Report



Color Parameters:

Chromaticity Coordinate: x=0.4688 y=0.4227
 Chromaticity Coordinate: u'=0.2628 v'=0.5332 (duv=3.66e-03)
 Tc=2671K Dominant WL:Ld=583.3nm Purity=67.6% Centroid WL:598.0nm
 Ratio:R=27.3% G=70.9% B=1.8% Peak WL:Lp=605.0nm HWL:115.3nm
 Render Index:Ra=83.7
 R1 =82 R2 =92 R3 =97 R4 =82 R5 =82 R6 =92 R7 =83
 R8 =59 R9 =10 R10=81 R11=83 R12=74 R13=84 R14=99 R15=73

Photo Parameters:

Flux: 882.86 lm Fe: 2.7036 W Efficacy:86.05 lm/W

Electrical Parameters:

Luminaire: U=120.6V I=0.09372A P=10.26W PF=0.9079

Instrument Status:

Scan Range:380.0nm-800.0nm Interval:5.0nm[0] Ip=19973 (G=5,D=58)
 REF=14336 (R=3) %=-0.162% PMT: 28.6 centigrade [150.0]

Product Type:4" Round Downlight 10W	Manufacturer:EVERFINE
Number:N-00053	Test Department:EVERFINE
Temperature:25.3 deg	Humidity:65.0%
Test Operator:DAMIN	Test Date:2020-10-23 16:41:23
Software:V2.00.122	Instrument:PMS-80_V1 (SN:11080002)