



i-LUMINOSITY
LED LIGHTING FIXTURES

Date:	_____
Project:	_____
Price:	_____

LED Fae Downlight

Description:

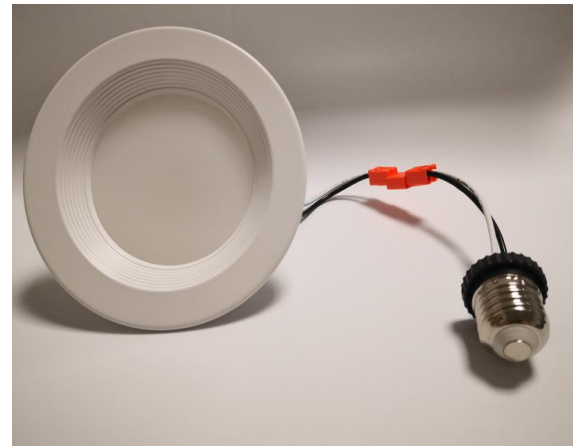
The LED Fae downlight is one of our compact designs. An aluminum housing offers great thermal management. This fitting can be used for retrofit or new construction installation. Suitable for commercial and residential applications like offices, supermarkets, shops, schools, hotels, restaurants, & workshops.

Features:

- Input Power: 120V-277V
- Wattage: 10W
- 90 LPW
- Beam Angle: 100°
- CRI >90
- CCT: 3000K
- Baffle: Stepped Baffle or Smooth Baffle
- IP44
- Triac dimming
- L70 Lifetime: >50,000 hours.
- 7 Year Warranty.



Smooth Baffle



Stepped Baffle





i-LUMINOSITY
LED LIGHTING FIXTURES

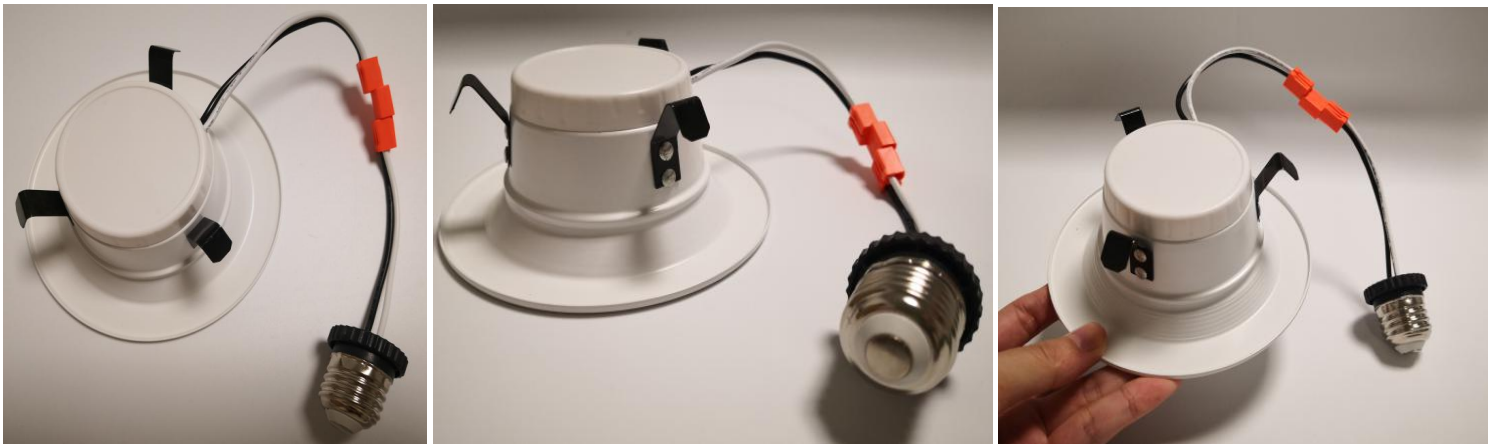
Date:	_____
Project:	_____
Price:	_____

Ordering Key:

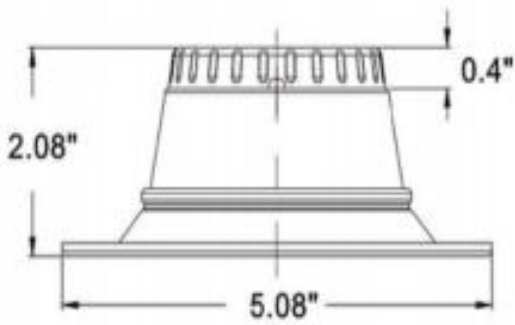
SERIES NUMBER	SIZE/ WATTAGE	CCT	FINISH	ADDITIONAL OPTIONS
ILDRLFDKK	4IN- 10W	3 - 3000K	WH - WHITE	TD - TRIAC DIMMING
				SM - SMOOTH BAFFLE
				ST - STEPPED BAFFLE

SAMPLE ITEM NUMBER: ILDRLFDKK 4IN 3 WH TD

Detailed Photos:



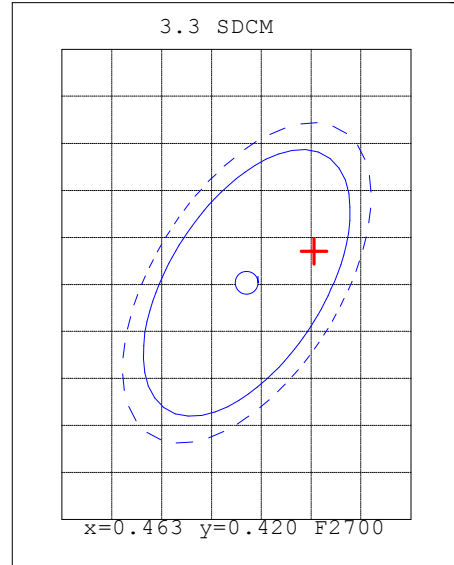
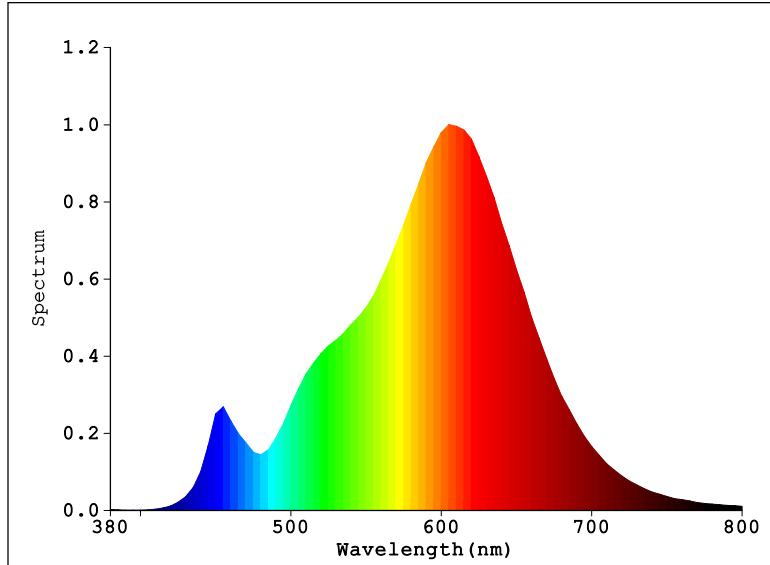
Dimensions:



Date:	_____
Project:	_____
Price:	_____

Photometrics:

Light Source Test Report



Color Parameters:

Chromaticity Coordinate: $x=0.4688$ $y=0.4227$
 Chromaticity Coordinate: $u'=0.2628$ $v'=0.5332$ ($duv=3.66e-03$)
 Tc=2671K Dominant WL:Ld=583.3nm Purity=67.6% Centroid WL:598.0nm
 Ratio:R=27.3% G=70.9% B=1.8% Peak WL:Lp=605.0nm HWL:115.3nm
 Render Index:Ra=83.7
 R1 =82 R2 =92 R3 =97 R4 =82 R5 =82 R6 =92 R7 =83
 R8 =59 R9 =10 R10=81 R11=83 R12=74 R13=84 R14=99 R15=73

Photo Parameters:

Flux: 882.86 lm Fe: 2.7036 W Efficacy:86.05 lm/W

Electrical Parameters:

Luminaire: U=120.6V I=0.09372A P=10.26W PF=0.9079

Instrument Status:

Scan Range:380.0nm-800.0nm Interval:5.0nm[0] $I_p=19973$ (G=5,D=58)
 REF=14336 (R=3) $\%=-0.162\%$ PMT: 28.6 centigrade [150.0]

Product Type:4" Round Downlight 10W	Manufacturer:EVERFINE
Number:N-00053	Test Department:EVERFINE
Temperature:25.3 deg	Humidity:65.0%
Test Operator:DAMIN	Test Date:2020-10-23 16:41:23
Software:V2.00.122	Instrument:PMS-80_V1 (SN:11080002)