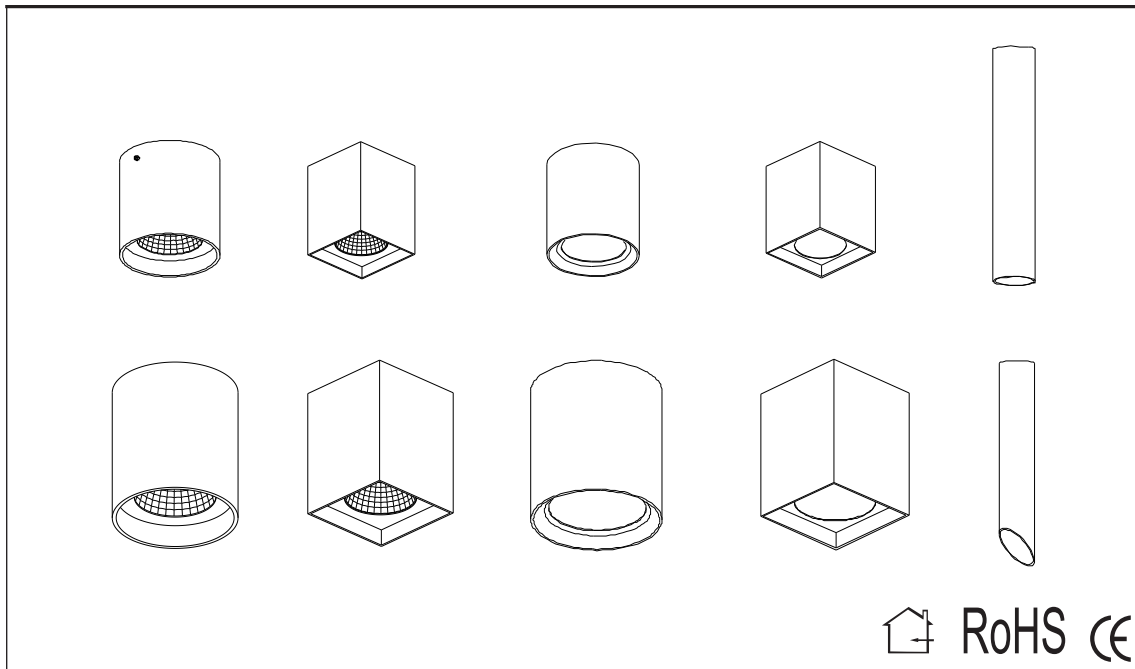


Installation and maintenance instructions

i-LUMINOSITY
LED LIGHTING FIXTURES



Thanks for choosing our products, in order to protect your consumption right and personal safety, please read this instruction carefully before uses and keep this as the future reference

Things to know:

Due to the different Voltage of lighting fixture, please select the appropriate ballast based upon the technical specification.

Installation must be done by professional electrician

Please ensure the power has been cut off before installation, in order to prevent the electric shock, make sure the power supply that can't be resumed by anybody before the job done.

This product should be installed together with fuse.

The maintenance should be done by the professional.

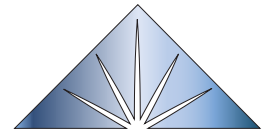
The defective ballast could not be treated as the normal rubbish and should be returned and make use of the normal parts.

Please consult the authorized department or retailers for returned advice.

Method of installation:

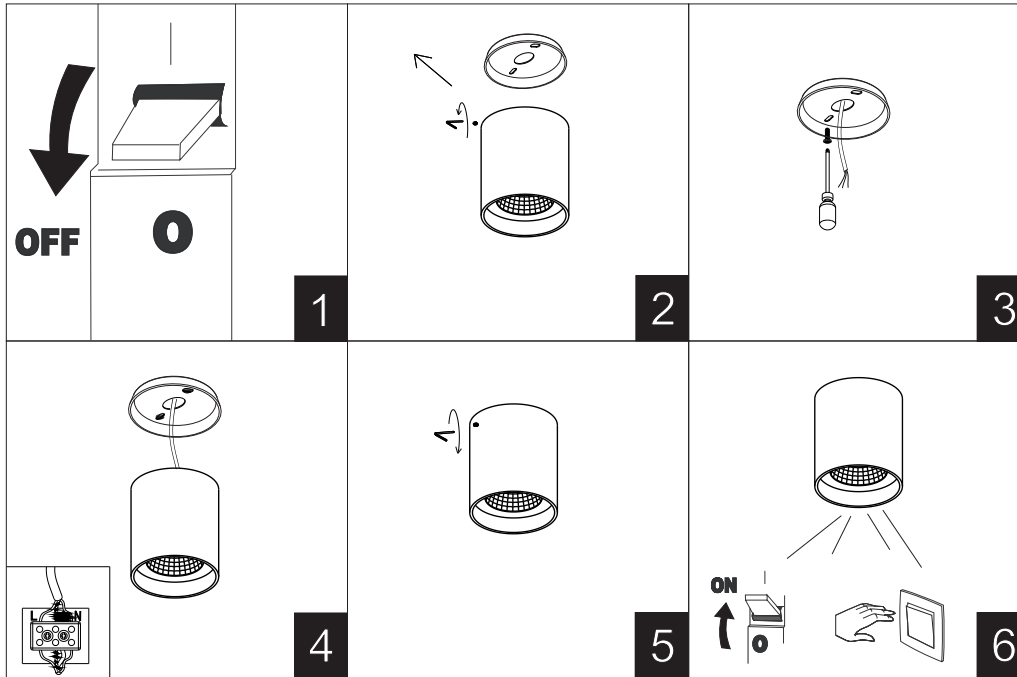
1. Please disconnect the power supply.
2. Take off the mounting board by unscrewing in anti-clockwise direction.
3. Fix the mounting board onto the wall.
4. Connect the input power supply correctly.
5. Tighten the screw in clockwise direction.
6. Open the power switch, the light will be bright.





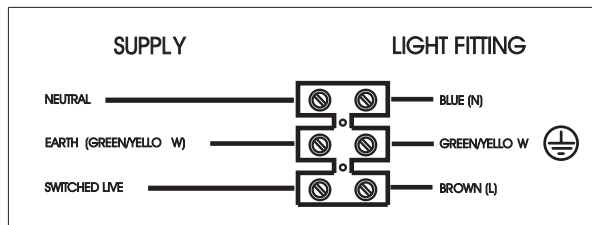
i-LUMINOSITY
LED LIGHTING FIXTURES

The demonstration below is only suitable for the indicated models



Connecting method:

Please connect the power cord properly as shown by the drawing.



Counter checking:

Make sure you have selected the correct type of wire
Make sure the connection is correct and firmed.
Make sure there is no cable left outside of the terminal.
After finished, make sure there is no naked or loose electric wire left behind,
the exposed area must be wrapped by double insulator in order to prevent any leakage.

Hygiene & Safety:

We advise to use the soft cloth to clean up and do not attempt to use any chemical agent in order to avoid any damages from the surface.

For your safety, please cut off the power supply before changing or cleaning the lamp source.

