

i-LUMINOSITY
LED LIGHTING FIXTURES

LED Fae Downlight

Description:

The LED Fae Downlight is an CCT selectable compact designs. An aluminum housing offers great thermal management. This fitting can be used for retrofit or new construction installation. Suitable for commercial and residential applications like offices, supermarkets, shops, schools, hotels, restaurants, & workshops.

Features:

- **Input Power:** AC 120V
- **Wattage:** 8W, 10W, 15W
- **Shape:** Round
- **Size:** 4 in or 6 in
- **Beam Angle:** 100°
- **CRI** >80
- **CCT tunable options:** 3K/4K/5K, 3K/35K/4K, or 27K/3K/35K4K/5K
- **Damp Location**
- **Triac Dimming**
- **L70 Lifetime:** >50,000 hours
- **7 Year Warranty**

Replacement Trim Option



Golden

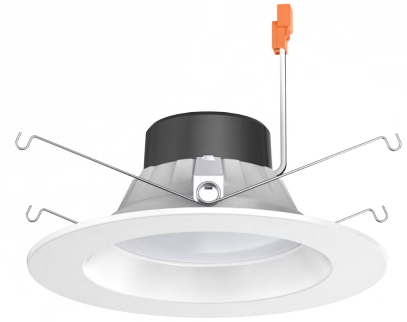


Black

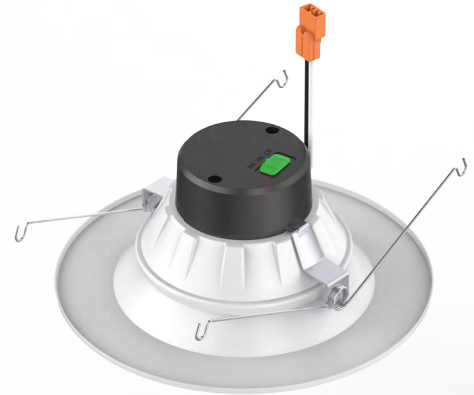


Silver

Date:	_____
Project:	_____
Price:	_____

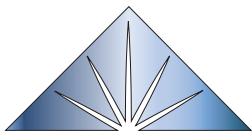


6 inch



4 inch

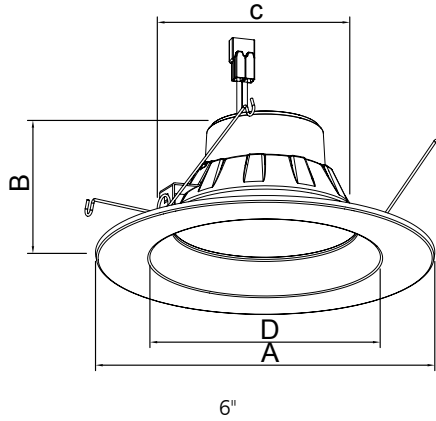
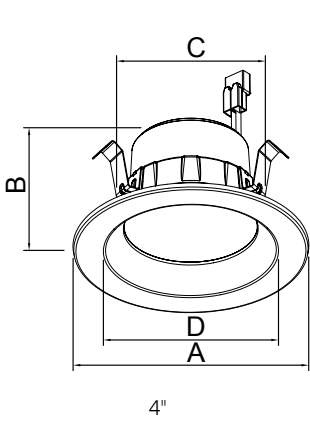




i-LUMINOSITY
LED LIGHTING FIXTURES

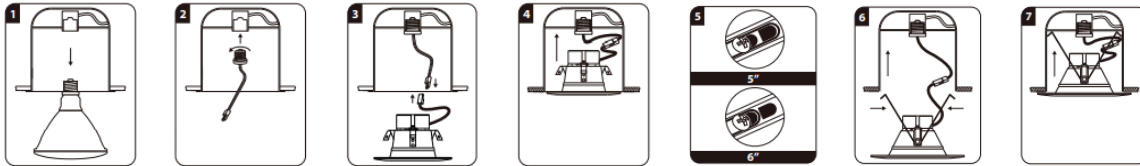
Date: _____
Project: _____
Price: _____

Dimensions:



Item	A	B	C	D
4 inch	5.12"	2.67"	3.63"	3.80"
6 inch	7.36"	3"	4.9"	5"

Installation Diagram:



Ordering Key

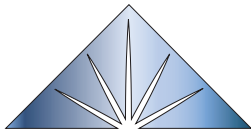
ILD LFAUP

SERIES NUMBER	SIZE	WATTAGE / LUMENS	CCT TUNABLE	TRIM FINISH	DIMMABLE
ILD LFAUP	4R-4 INCH	10W / 630-830LM	3CT35- 3000K/3500K/ 4000K	B - BLACK	TD - TRIAC DIMMING
	6R-6 INCH	10W / 660-860LM	3CT4- 3000K/4000K/ 5000K	W - WHITE	
				S - SILVER	
		15W /1250-1580LM	5CT- 2700K/3000K/3500K/4000K/ 5000K	G- GOLDEN	

SAMPLE ITEM NUMBER: ILDLFAUP 4R 10W 3CT35 W TD



(888) 998-LEDS (5337) | i-luminosity.com | info@i-luminosity.com

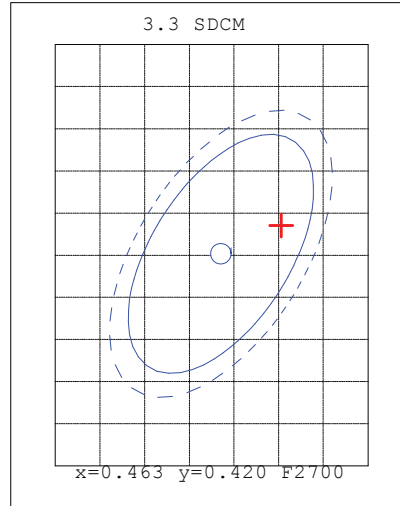
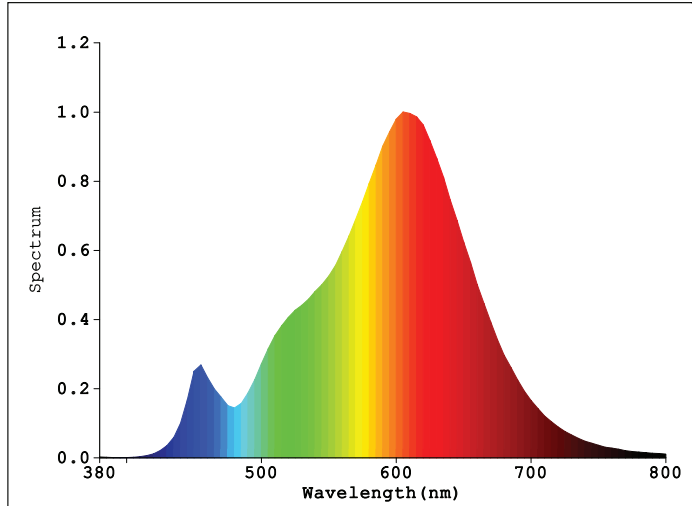


i-LUMINOSITY
LED LIGHTING FIXTURES

Date: _____
Project: _____
Price: _____

Photometrics:

Light Source Test Report



Color Parameters:

Chromaticity Coordinate: $x=0.4688$ $y=0.4227$
 Chromaticity Coordinate: $u'=0.2628$ $v'=0.5332$ ($duv=3.66e-03$)
 $Tc=2671K$ Dominant WL: $Ld=583.3nm$ Purity= 67.6% Centroid WL: $598.0nm$
 Ratio: $R=27.3\%$ $G=70.9\%$ $B=1.8\%$ Peak WL: $Lp=605.0nm$ HWL: $115.3nm$
 Render Index: $Ra=83.7$
 $R1 =82$ $R2 =92$ $R3 =97$ $R4 =82$ $R5 =82$ $R6 =92$ $R7 =83$
 $R8 =59$ $R9 =10$ $R10=81$ $R11=83$ $R12=74$ $R13=84$ $R14=99$ $R15=73$

Photo Parameters:

Flux: 882.86 lm Fe: 2.7036 W Efficacy: 86.05 lm/W

Electrical Parameters:

Luminaire: U= $120.6V$ I= $0.09372A$ P= $10.26W$ PF= 0.9079

Instrument Status:

Scan Range: $380.0nm-800.0nm$ Interval: $5.0nm[0]$ $Ip=19973$ ($G=5, D=58$)
 REF= 14336 ($R=3$) $\%=-0.162\%$ PMT: 28.6 centigrade [150.0]

Product Type: $4"$ Round Downlight $10W$ Manufacturer: EVERFINE
 Number: $N-00053$ Test Department: EVERFINE
 Temperature: 25.3 deg Humidity: 65.0%
 Test Operator: DAMIN Test Date: $2020-10-23$ $16:41:23$
 Software: $V2.00.122$ Instrument: $PMS-80_V1$ (SN: 11080002)

