

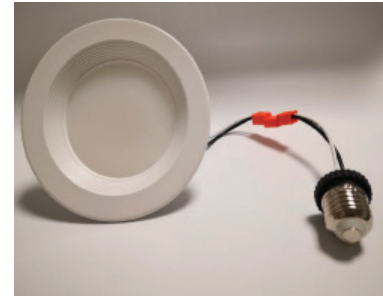
**i-LUMINOSITY**  
LED LIGHTING FIXTURES

Date:	_____
Project:	_____
Price:	_____

## LED Fae Downlight

### Description:

The LED Fae Downlight is one of our compact designs. An aluminum housing offers great thermal management. This fitting can be used for retrofit or new construction installation. Suitable for commercial and residential applications like offices, supermarkets, shops, schools, hotels, restaurants, & workshops.



### Features:

- **Input Power:** 120V-277W
- **Wattage:** 8W, 10W, 12W, 15W
- **Shape:** Round
- **Size:** 4 in or 6 in
- **Beam Angle:** 100°
- **CRI >90**
- **CCT:** 2700K, 3000K, 4000K, 5000K or CCT Selectable 3K/4K/5K
- **Damp Location**
- **Triac Dimming**
- **L70 Lifetime:** >50,000 hours
- **7 Year Warranty**



**4-inch Single CCT**



**6-inch Single CCT**



**4-inch 3CCT tunable**



**6-inch 3CCT tunable**



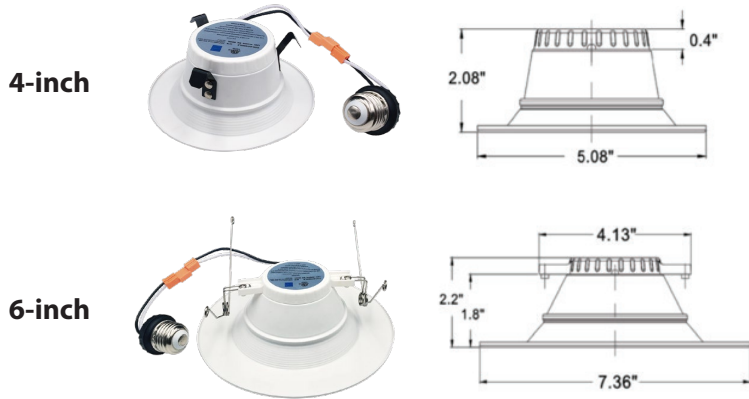
**Replacement Trim Option**  
Brushed Nickel  
Bronze  
Black



Date: \_\_\_\_\_  
 Project: \_\_\_\_\_  
 Price: \_\_\_\_\_

### Dimensions:

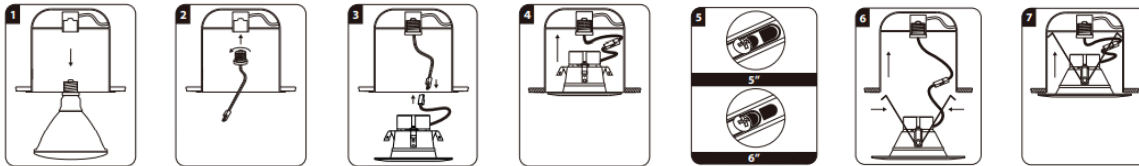
#### Single CCT



#### 3 CCT tunable



### Installation Diagram:



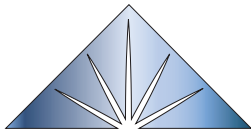
### Ordering Key

ILDLFAKK

SERIES NUMBER	SIZE	WATTAGE / LUMENS	CCT	TRIM FINISH	DIMMABLE
ILDLFAKK	4R-4 INCH	8W - 600LM	27K-2700K	BN - BRUSHED NICKEL	TD - TRIAC DIMMING
		10W - 750LM*	3K-3000K	BR - BRONZE	
			35K-3500K	BK - BLACK	
	6R-6 INCH	12W - 960LM	4K-4000K	WH - WHITE	
		15W - 1200LM	5K-5000K		
		CCT- 3000K/4000K/ 5000K TUNABLE			

SAMPLE ITEM NUMBER: ILDLFAKK 4R 8W 35K WH TD \* Only available for single CCT



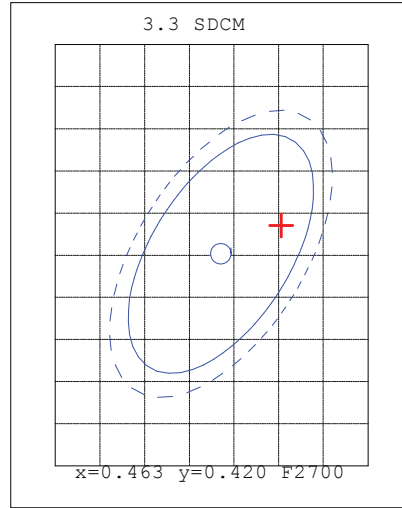
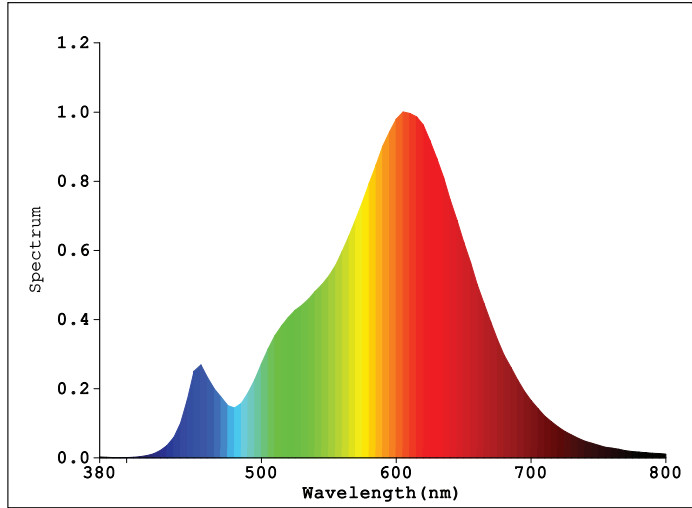


**i-LUMINOSITY**  
LED LIGHTING FIXTURES

Date:	_____
Project:	_____
Price:	_____

**Photometrics:**

**Light Source Test Report**



**Color Parameters:**

Chromaticity Coordinate:  $x=0.4688$   $y=0.4227$   
 Chromaticity Coordinate:  $u'=0.2628$   $v'=0.5332$  ( $duv=3.66e-03$ )  
 $T_c=2671K$  Dominant WL:  $L_d=583.3nm$  Purity= $67.6\%$  Centroid WL:  $598.0nm$   
 Ratio:  $R=27.3\%$   $G=70.9\%$   $B=1.8\%$  Peak WL:  $L_p=605.0nm$  HWL:  $115.3nm$   
 Render Index:  $R_a=83.7$   
 $R1 =82$   $R2 =92$   $R3 =97$   $R4 =82$   $R5 =82$   $R6 =92$   $R7 =83$   
 $R8 =59$   $R9 =10$   $R10=81$   $R11=83$   $R12=74$   $R13=84$   $R14=99$   $R15=73$

**Photo Parameters:**

Flux:  $882.86$  lm Fe:  $2.7036$  W Efficacy:  $86.05$  lm/W

**Electrical Parameters:**

Luminaire:  $U=120.6V$   $I=0.09372A$   $P=10.26W$   $PF=0.9079$

*Instrument Status:*

Scan Range:  $380.0nm-800.0nm$  Interval:  $5.0nm[0]$   $I_p=19973$  ( $G=5, D=58$ )  
 REF:  $14336$  ( $R=3$ )  $\%=-0.162\%$   $PMT: 28.6$  centigrade [ $150.0$ ]

---

Product Type: $4"$ Round Downlight 10W	Manufacturer: EVERFINE
Number: N-00053	Test Department: EVERFINE
Temperature: $25.3$ deg	Humidity: $65.0\%$
Test Operator: DAMIN	Test Date: 2020-10-23 16:41:23
Software: V2.00.122	Instrument: PMS-80_V1 (SN: 11080002)

