



i-LUMINOSITY
LED LIGHTING FIXTURES

Date:	_____
Project:	_____
Price:	_____

Tribeca Wall Pack

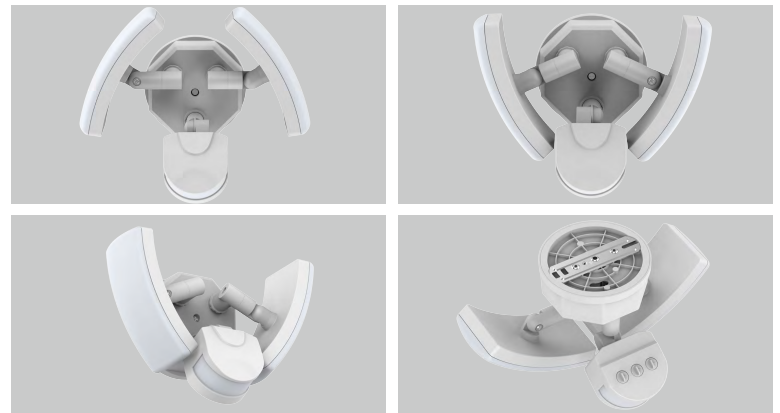
Description:

i-Luminosity's Tribeca WallPack is adjustable providing a full range of lighting effects. It comes in a black or white finish that is suitable for outdoor locations. CCT Options from 3000K, 4000K, to 5000K with a CCT switch option available. This wall pack is suitable for a PIR sensor.



Features:

- Input Power: AC120-277V
- Power Consumption: 20W or 26W,
- Lumen Output: 100 LM/W
- PIR sensor lighting controls with a 15% standby function.
- CRI >90
- L70 Lifetime: >50,000 hours
- Available Mounting Options: Wall mounted or surface mounted
- 3CCT adjustable: 3000K + 4000K + 5000K
- Finish Options: Black or White
- Beam Angle: 350° in horizontal direction and 180° in vertical direction.
- Wet Location Rated.
- Built in driver.
- 7 Year Warranty



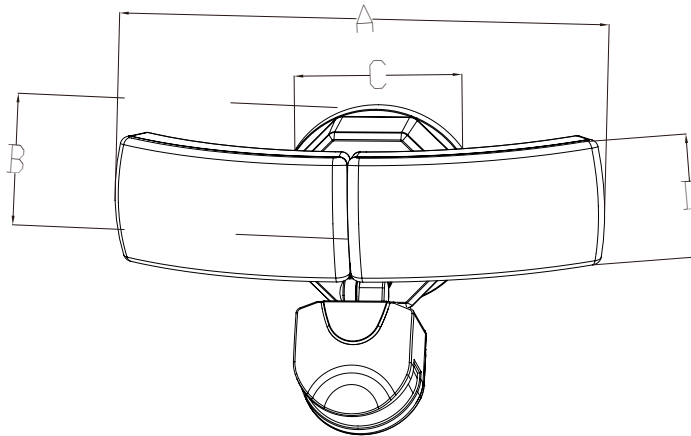
Applications:

- Security
- Pathway
- Perimeter Lighting
- Building Entryways
- Walkways



Date:	_____
Project:	_____
Price:	_____

Dimensions:



20W: (A) 10 -7/10"x (B) 4-15/16" x (C) 4-1/3" x (D) 2-3/4"

26W: (A) 10 -7/10"x (B) 4-15/16" x (C) 4-1/3" x (D) 2-3/4"



Date:	_____
Project:	_____
Price:	_____

Ordering Key:

SERIES NUMBER	WATTS / LUMENS	CCT	FINISH	ADDITIONAL OPTIONS
ILWPTWUP	20w - 2,000	3 - 3000K	B - BLACK	PIR- PIR SENSOR
	26w - 2,600	4 - 4000K	WH - WHITE	
		5 - 5000K		
		T- TUNABLE*		

SAMPLE ITEM NUMBER: ILWPTWUP 26W 4 WH PIR

T- TUNABLE* -
TUBABLE BETWEEN
3K, 4K, 5K.

Electrical Data:

- **Input Power:** Stays consistent over life.
- **Input Voltage:** 120-277 VAC
- **CRI:** >90
- **L70 Lifetime:** >50,000 hours.
- **Operating Temperature:** -22°F to 113°F

Controls:

- This LED fixture can be equipped with a PIR sensor.

