

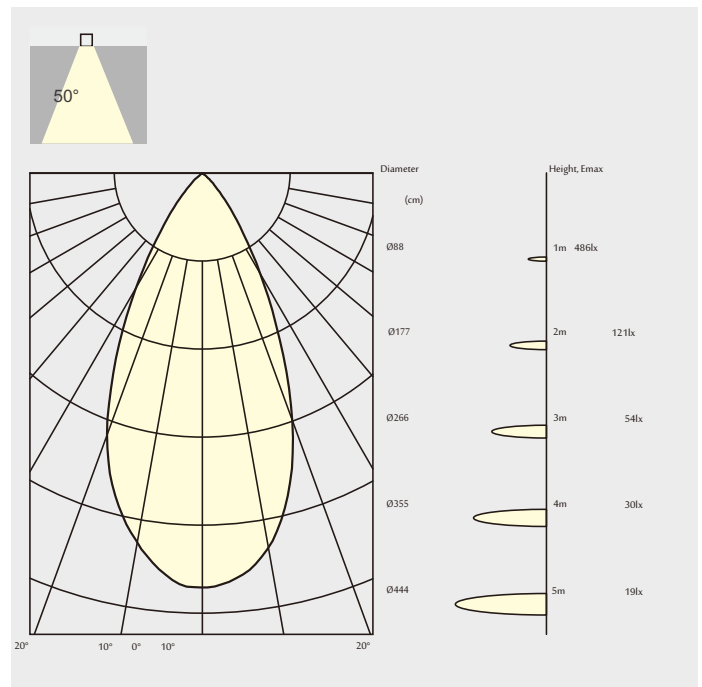
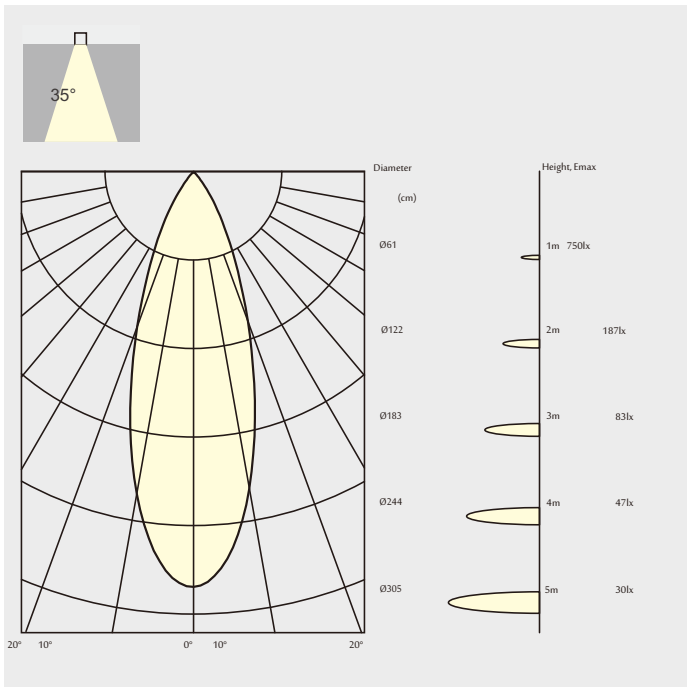
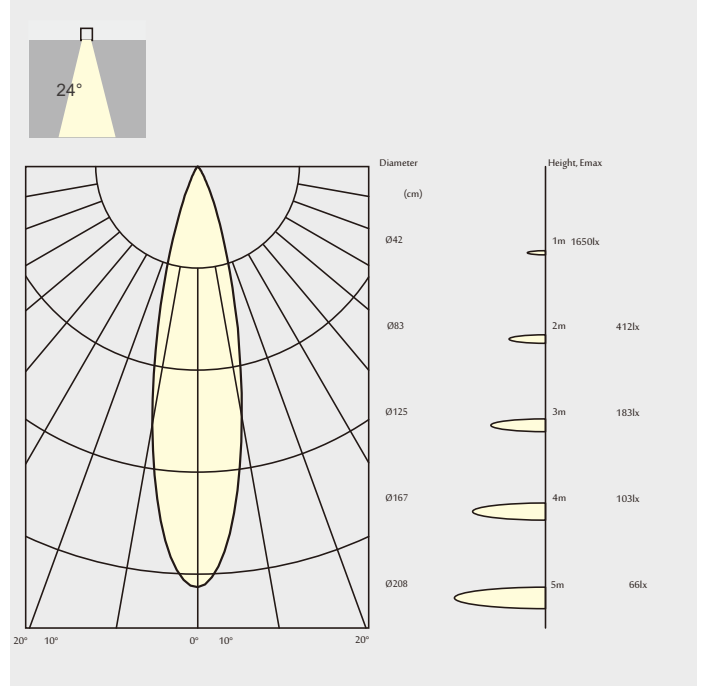
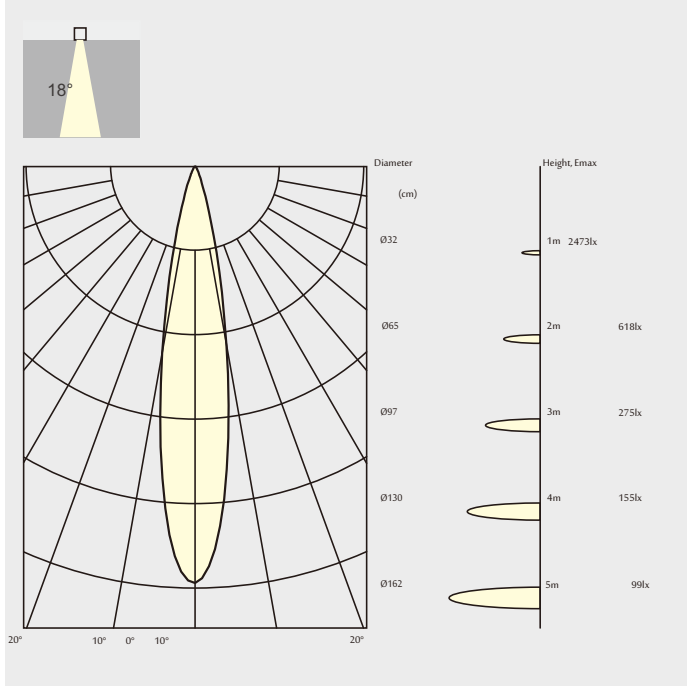


**i-LUMINOSITY**  
LED LIGHTING FIXTURES

Date: \_\_\_\_\_  
Project: \_\_\_\_\_  
Price: \_\_\_\_\_

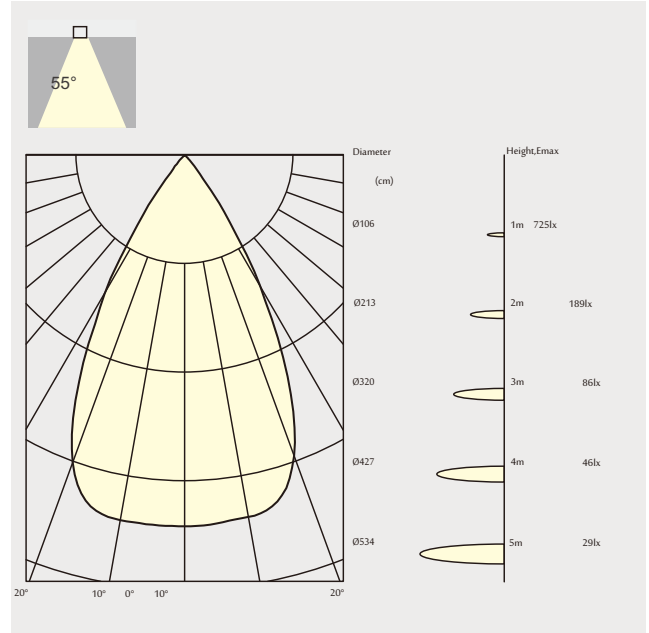
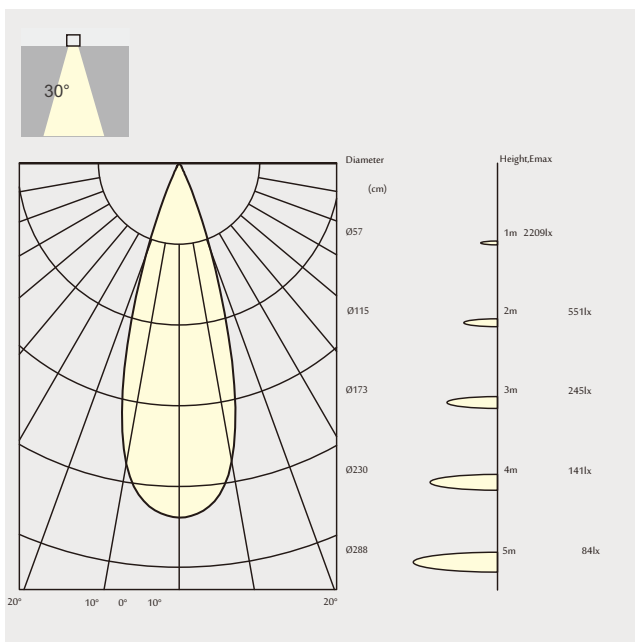
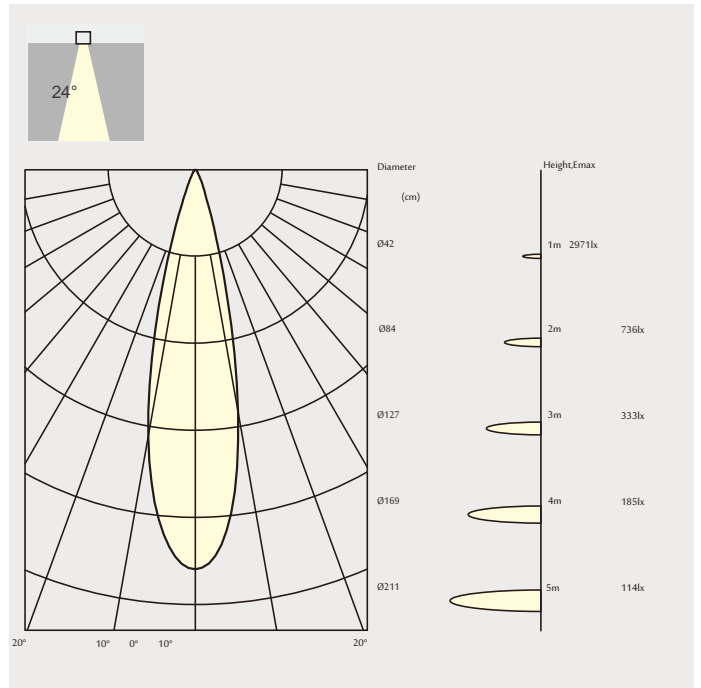
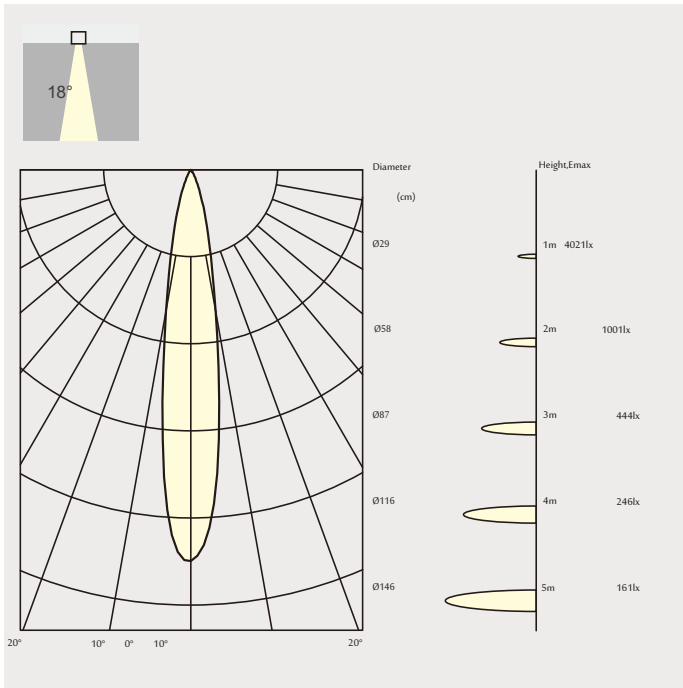
# Sutton LED Pendant Photometrics

## Option 1:



Date: \_\_\_\_\_  
 Project: \_\_\_\_\_  
 Price: \_\_\_\_\_

## Option 2:



Date:	_____
Project:	_____
Price:	_____

### Option 3:

