



**i-LUMINOSITY**  
LED LIGHTING FIXTURES

Date:	_____
Project:	_____
Price:	_____

# LED Lenox Downlight

## Description:

The LED Lenox downlight is one of our compact designs. An aluminum housing offers great thermal management. This fitting can be used for retrofit or new construction installation. Suitable for commercial and residential applications like offices, supermarkets, shops, schools, hotels, restaurants, & workshops.



## Features:

- Input Power: 120V-277V
- Deep recessed light source.
- Built in driver
- Tune-able Wattage:
  - 4IN: 6W/8W/12W
  - 6IN: 8W/12W/16W
  - 8IN: 12W/16W/22W
  - 10IN: 22W/28W/32W
- 100 LPW
- CRI >90
- CCT: 3CCT Adjustable 3000K, 3500K, 4000K.
- Size: 4 / 6 / 8 / 10 inch options
- Wet location, IC and airtight rated
- 0-10V dimming, EM Backup
- L70 Lifetime: >50,000 hours.
- 7 Year Warranty.





**i-LUMINOSITY**  
LED LIGHTING FIXTURES

Date:	_____
Project:	_____
Price:	_____

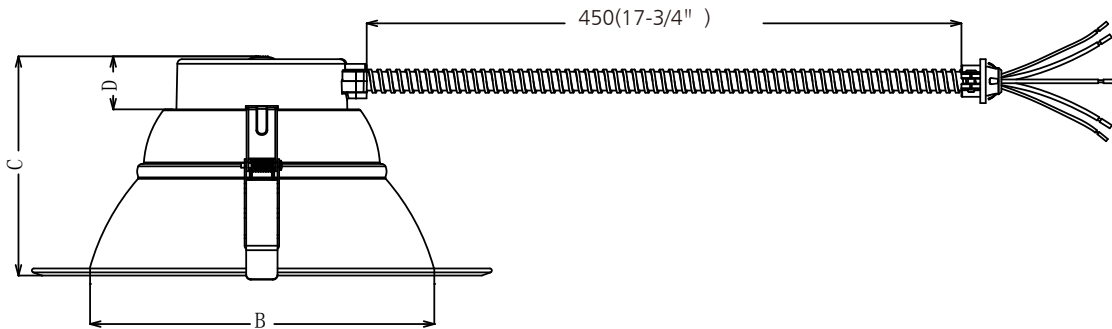
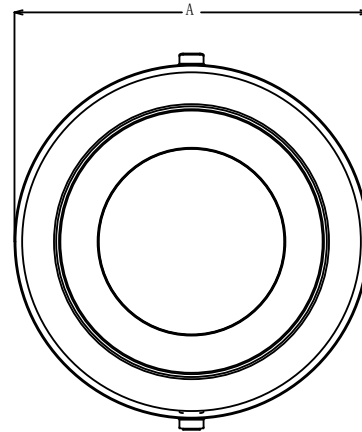
### Ordering Key:

SERIES NUMBER	SIZE/ WATTAGE	CCT	FINISH	ADDITIONAL OPTIONS
ILDLLNUP	4INWT - 6W/8W/12W	CCT - 3000K	WH - WHITE	DM - 0-10V DIMMING
	6INWT - 8W/12W/16W	3500K, 4000K	BL - BLACK	EM - EMERGENCY BACKUP
	8INWT - 12W/16W/22W	TUNABLE		
	10INWT - 22W/28W/32W			

SAMPLE ITEM NUMBER: ILDLLNUP 4INWT CCT WH DM

### Dimensions:

Inch	Dimension(inch)				Size(inch)
	A	B	C	D	
4 "	5-15/16"	3-13/16"	3-5/8"	1-1/3"	Φ 5-15/16" *3-5/8"
6 "	8-5/16"	2/6"	4-3/8"	1-1/3"	Φ 8-5/16" *4-3/8"
8 "	10-5/16"	7-7/8"	4-7/8"	1-1/3"	Φ 10-5/16" *4-7/8"
10 "	11-9/16"	8-5/8"	5-1/2"	1-1/3"	Φ 11-9/16" *5-1/2"

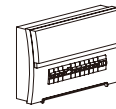


Date:	_____
Project:	_____
Price:	_____

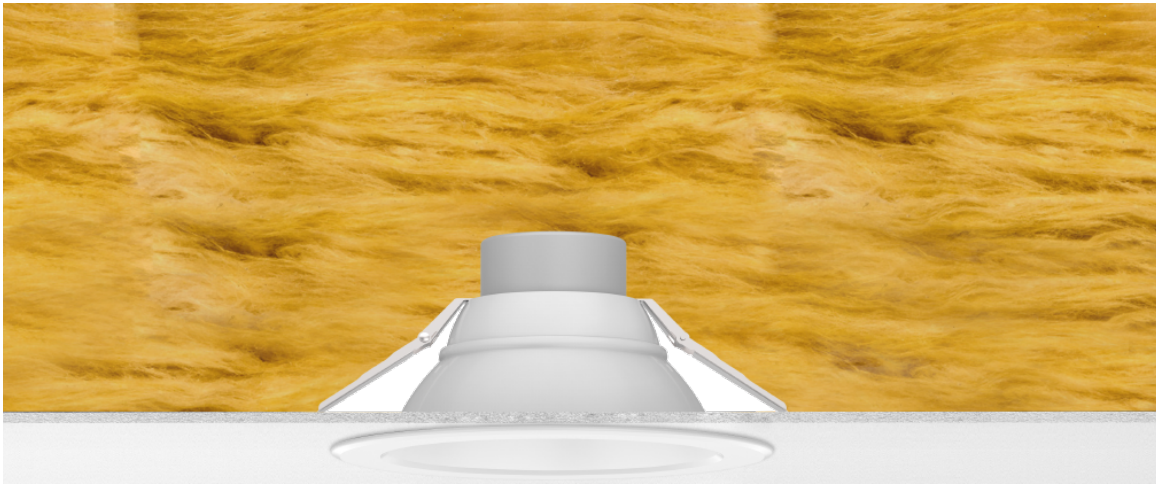
## Installation:

### WARNING ⚡

1. Switch off before installation / maintenance.
2. Switch on only after complete installation and examination of the circuit.
3. Professional electrician for installation and maintenance only.



Turn Off power supply before starting any installation. Read instructions & check you have all the tools & accessories to complete the installation correctly.



## Cut Out:

Φ4" ~5-1/4"

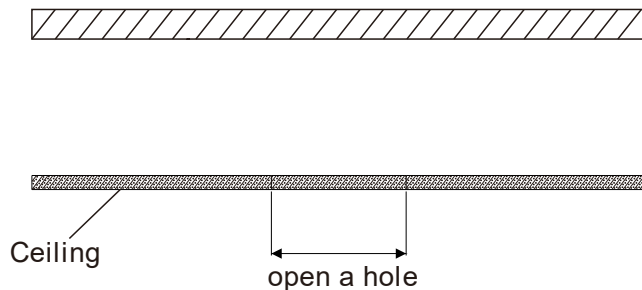
Φ6 - 3/16" ~7-1/2"

Φ8" ~9-1/2"

Φ8 - 7/8" ~10-5/8"

## How to install

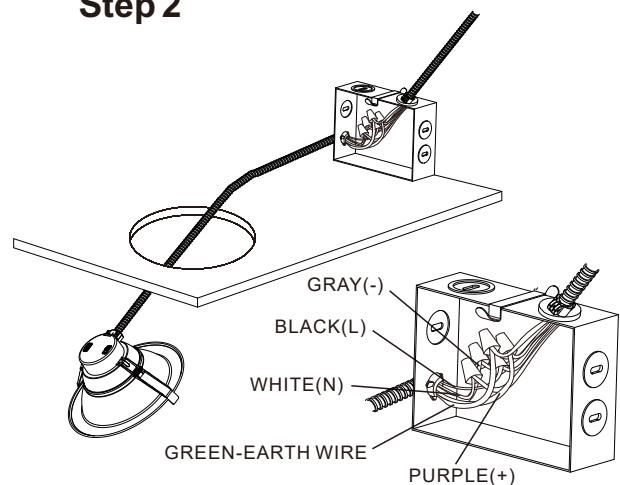
### Step 1



The height of the fixture should be no less than 100mm

Opening a hole in ceiling according to cutout size of the lamp

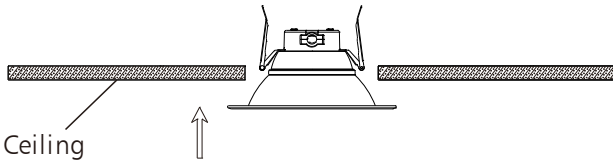
### Step 2



Connect AC and Dimming wire correspondingly as shown in picture

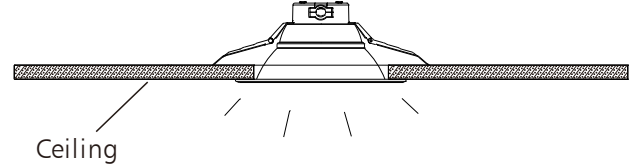
Date:	_____
Project:	_____
Price:	_____

### Step 3



Bend back the spring clips then push the lamp into the hole.

### Step 4



Installation completed. Switch on.



## Driver Datasheet (0-10V):

Total load wattage		6W/8W/12W	8W/12W/16W	12W/16W/22W	22W/28W/33W
Output	Output Voltage range	30-40V			
	Rated output current	150mA/200mA/280mA	200mA/300mA/380mA	300mA/400mA/530mA	550mA/700mA/800mA
	Line Regulation	±5%			
	Setup, Rise Time	120V < 1S			
	Flickering Index	< 10%			
Input	Input Voltage	100-305V			
	Rated Input Voltage(V)	120-277V			
	Frequency	60HZ			
	Input Current	0.07A/0.09A/0.14A	0.09A/0.14A/0.18A	0.14A/0.18A/0.25A	0.25A/0.32A/0.37A
	Rated Input Current	0.06A/0.08A/0.12A	0.08A/0.12A/0.15A	0.12A/0.15A/0.21A	0.21A/0.26A/0.31A
	Power Factor	0.8/0.9/0.9			
	THD	<20% @277V			
	Efficiency	≥77%/≥78%≥80%	≥81%/≥82%≥83%	≥82%/≥83%≥83%	≥83%/≥84%≥85%
	No load wattage	≤1W			
Protection	Short circuit protection	Pass			
	Over voltage protection	Pass			
	Over temperature protection	Pass			
Safety &EMC	Withstand voltage	I/P-O/P:3.75kVac,<5mA 60S; I/P-FG:1.6kVac,<5mA 60S; O/P-FG:0.5kVac,<5mA 60S			
	Isolation Resistance	I/P-O/P: 500VDC, ≥100M Ω			
	Surge	ring-wave interference 2500V			
	EMC Emission	FCC part 15B			
	EMC Immunity	EN61000-4-2,3,4,5,6,8,11; EN61547			