

Date:	_____
Project:	_____
Price:	_____

Richmond Wall Washer Linear Light

Description:

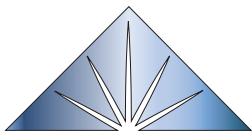
Our Richmond Wall Washer Linear Light is our first of its kind. Available in an array of CCT, RGBW, and DMX options, this wall mounted fixture is perfect for any building design. It's perfect for wall-recessed or ground-recessed locations.



Features:

- **Input Power:** 24V DC or 220V AC
- **Wattage:** 48W, 72W, 96W, 108W, or 144W
- **Lumens:** 95 LM/W
- **CRI** >90
- **Available Color Options:** 2700K-6000K + RGBW optional
- **Available Finish Options:** Black, dark grey or silver
- **Mounting Option:** Wall mounted
- **Beam Angle:** 8° /15°/30°/45°/60°/10*60°/20*45°
- **Operating Temperature:** -4°F ~ 104°F
- **L70 Lifetime:** >50,000 hours
- **7 Year Warranty**



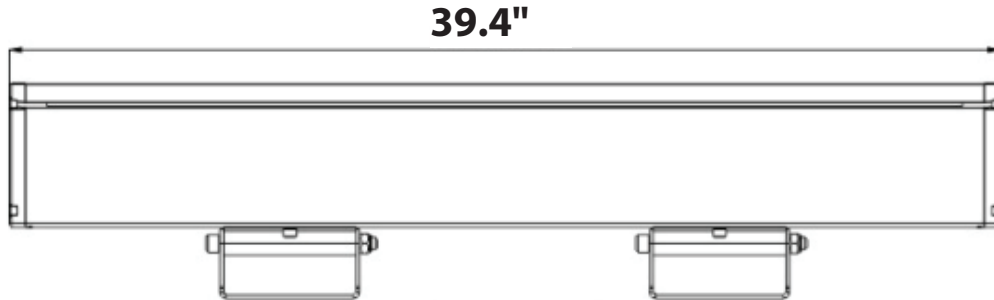


i-LUMINOSITY
LED LIGHTING FIXTURES

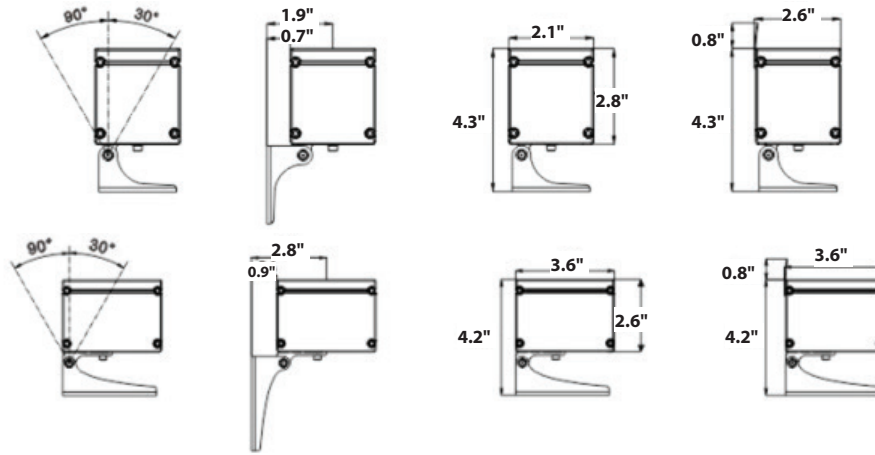
Date: _____
Project: _____
Price: _____

Dimensions:

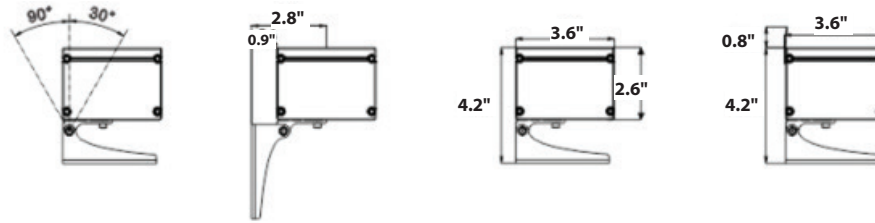
Length



48W/72W/96W



108W/144W



Ordering Key

ILLLRWBL

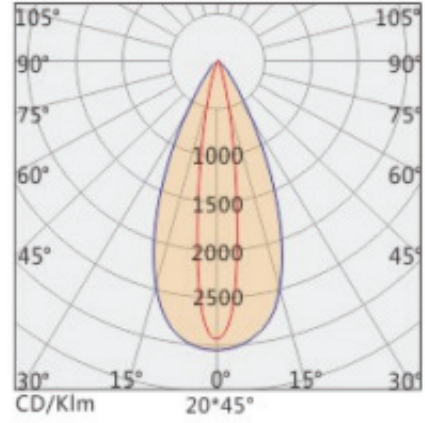
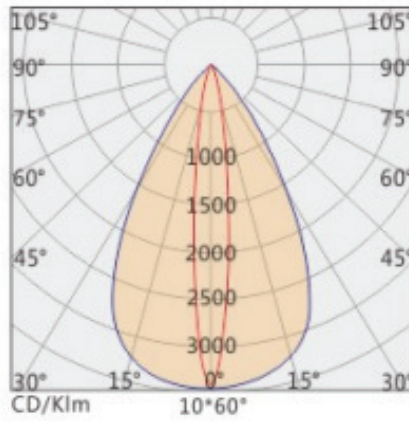
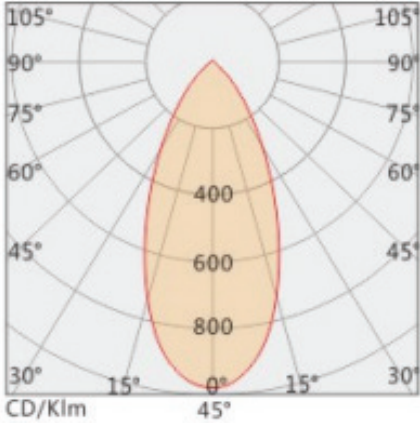
SERIES NUMBER	WATTAGE	CCT	BEAM ANGLE	FINISH	ADDITIONAL OPTIONS
ILLLRWBL (Monocolor/DMX)	48W - 48W	27K-2700K	10-10°	B - BLACK G - DARK GREY S - SILVER	A - AC 220V D - DC 24V X1 - DMX DM - DIMMABLE
	72W - 72W	3K-3000K	15-15°		
	108W - 108W	35K-3500K	30-30°		
ILLLRWBL (RGB/RGBW/ DMX512)	72W - 72W	4K-4000K	45-45°		A - AC 220V D - DC 24V R - RGB 3 IN 1 W - RGBW 4 IN 1 X2 - DMS512
	96W - 96W	5K-5000K	60-60°		
	108W - 108W	6K-6000K	18-18°X55°		
	144W - 144W		20-20°X45° 16-10°X60°		

SAMPLE ITEM NUMBER: ILLLRWBL 48W 4K 60 G D

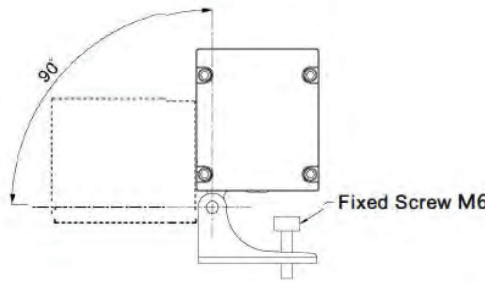


Date:	_____
Project:	_____
Price:	_____

Photometrics:



Installation:



Electrical Data:

- **Input Power:** Stays consistent over life.
- **Input Voltage:** 120-277V
- **CRI:** >90
- **Operating Temperature:** -4°F ~ 104°F
- **L70 Lifetime:** >50,000 hours

Optical System:

- A unique combination of reflective & refractive optical components achieves a uniform, comfortable look while eliminating pixelation & color fringing.
- Parts work in unison to optimize light distribution, balancing the high delivery of high illuminance levels on horizontal surfaces with an ideal amount of light on walls and vertical surfaces, increasing perception of spaciousness.