



i-LUMINOSITY
LED LIGHTING FIXTURES

| | |
|----------|-------|
| Date: | _____ |
| Project: | _____ |
| Price: | _____ |

Prospect Gooseneck Light

Description:

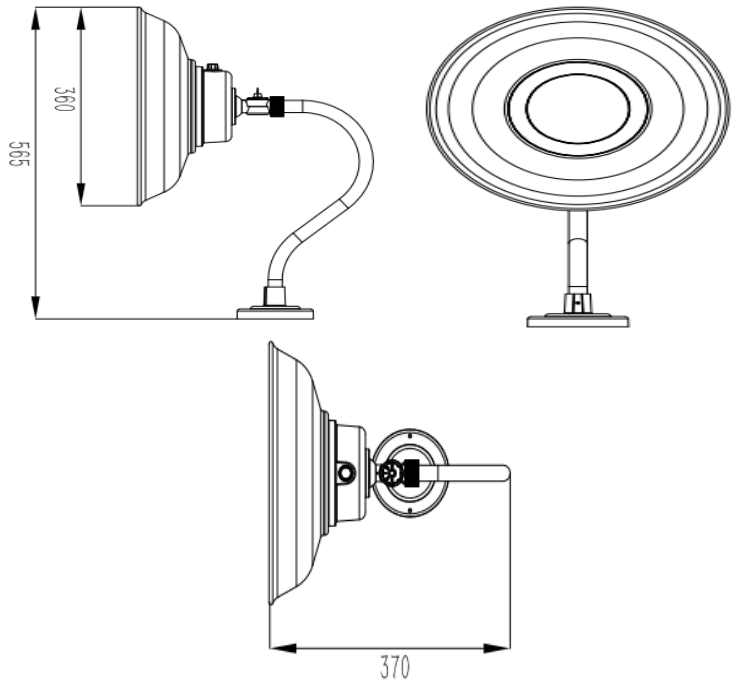
Our LED Prospect Gooseneck Light is rated for wet locations and is a great addition to any indoor or outdoor space. Its elegant curves will bring a rustic or industrial edge to your area. Available finishes in Bronze, Black, Red, Blue, or White. This fixture is ideal for entrance ways, corridors, balconies, and general wall lighting.

Features:

- Input Power: 120/240V/277V 50/60Hz
- Wet location.
- Wattage: 25W or 40W.
- 120 LM
- CRI >90
- Available Color Options: 3000K, 4000K, 5000K or 5700K.
- Photocontrol (PC) requires 100-277 voltage or short cap optional.
- Finish: Red, Blue, White, Black or Bronze
- Adjustable head allowing 360° spin and 210° up and down.
- L70 Lifetime: >50,000 hours.
- 7 Year Warranty.



Dimensions:



| | |
|----------|-------|
| Date: | _____ |
| Project: | _____ |
| Price: | _____ |

Ordering Key:

| SERIES NUMBER | WATTAGE/ LUMENS | CCT | FINISH | ADDITIONAL OPTIONS |
|---------------|------------------|------------|-------------|--------------------|
| ILPFGBJG | 25W - 25W/ 3,250 | 3 - 3000K | BR - BRONZE | PC - PHOTOCELL |
| | 40W - 40W/ 4,800 | 4 - 4000K | BU - BLUE | |
| | | 5 - 5000K | WH - WHITE | |
| | | 57 - 5700K | RD - RED | |
| | | | BL - BLACK | |

SAMPLE ITEM NUMBER: ILPFGBJG 40W 5 BR PC

Electrical Data:

- **Input Power:** Stays consistent over life.
- **Input Voltage:** 120/240V/277V 50/60Hz
- **CRI:** >90
- **L70 Lifetime:** >50,000 hours.

Installation:

- Easily mounts to a wooden post or pole using 2" lag screws, included. Compatible with 1-5/8" mounting arm.

Photometrics:

Electrical Data

| MODEL | LEDS | LED CURRENT | SYSTEM WATTS | Current | | |
|----------|------|-------------|--------------|---------|------|------|
| | | | | 120 | 240 | 277 |
| ILPFGBJG | 192 | 50mA | 40W | 0.33 | 0.16 | 0.14 |

Lumen Ambient Temperature (LAT) Multipliers

| Ambient | | Lumen Multiplier |
|---------|-------|------------------|
| 0°C | 32°F | 1.02 |
| 10°C | 50°F | 1.01 |
| 20°C | 68°F | 1.00 |
| 25°C | 77°F | 1.00 |
| 30°C | 86°F | 1.00 |
| 40°C | 104°F | 0.99 |

Luminaire Lumen Maintenance Factors (LMF)

Data references the extrapolated performance projections for the platforms noted in a 25°C ambient, based on 10,000 hours of LED testing. To calculate LLF, use the lumen maintenance factor that corresponds to the desired number of operating hours below. For other lumen maintenance values, contact factory.

| Operating Hours | 0 | 25000 | 50000 | 75000 | 100000 |
|--------------------------|------|-------|-------|-------|--------|
| Lumen Maintenance Factor | 100% | 96% | 94% | 92% | 90% |

