



i-LUMINOSITY
LED LIGHTING FIXTURES

Date:	_____
Project:	_____
Price:	_____

Bushwick Step Light

Description:

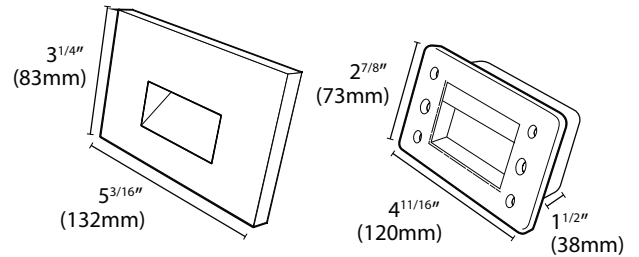
Our Bushwick Step Light is designed for any indoor or outdoor location with an IP65 rating. Easily wall mounted with CCT options ranging from 2700K – 5000K with an RGB option available. The Bushwick Step Light is ideal for outdoor wall lighting, steps, or decks.

Features:

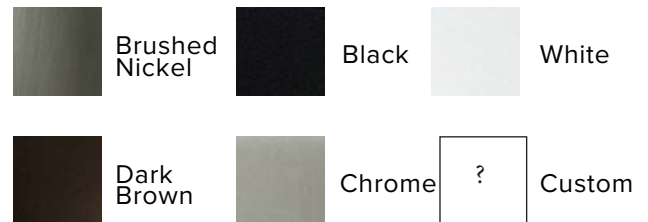
- Input Power:
 - High Voltage: 100 - 120V AC
 - Low Voltage: 12V AC / DC
- IP65 Rating.
- Wattage: 2W.
- 185 LM
- CRI >90
- Available Color Options: 2700K, 3000K, 4000K, or 5000K, RGB. (RGB only available on low voltage)
- Trim Styles: Horizontal Recessed, Vertical Recessed, Flat Open.
- L70 Lifetime: >50,000 hours.
- Dimming Option Available.
- Fits with single gang junction box.
- 7 Year Warranty.



Dimensions:



Finishes:



Date:	_____
Project:	_____
Price:	_____

Ordering Key:

SERIES NUMBER	PRODUCT	CCT	FINISH	VOLTAGE	ADDITIONAL OPTIONS
ILUGBSAD	RH - Horizontal Recessed	27 - 2700K	BN - BRUSHED NICKEL	H - HIGH VOLTAGE	DM - DIMMING
	VR - Vertical Recessed	3 - 3000K	BL - BLACK	L - LOW VOLTAGE	
	FO - Flat Open	4 - 4000K	WH - WHITE		
		5 - 5000K	DB - DARK BROWN		
	RGB - RGB*	CH - CHROME			

RGB ONLY AVAILABLE ON LOW VOLTAGE

SAMPLE ITEM NUMBER: ILUGBSAD VR 3 BL H DM

Electrical Data:

- **Input Power:** Stays consistent over life.
- **Input Voltage:**
 - High Voltage: 100 - 120V AC
 - Low Voltage: 12V AC / DC
- **CRI:** >90
- **L70 Lifetime:** >50,000 hours.

Controls:

- This LED fixture is compatible with dimming options.

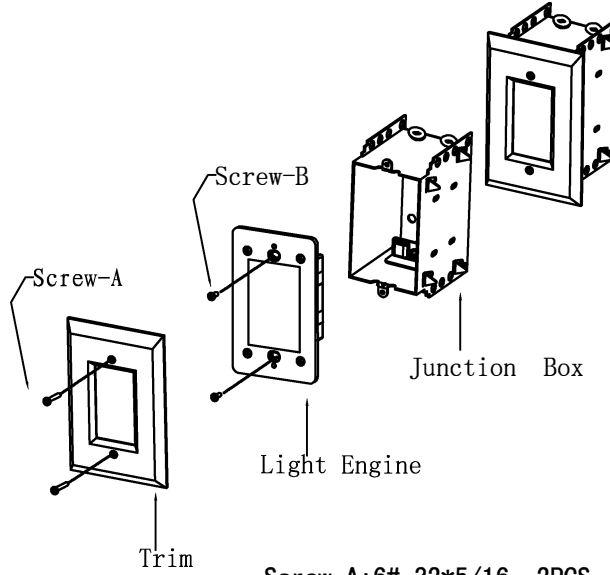
Optical System:

- A unique combination of reflective & refractive optical components achieves a uniform, comfortable look while eliminating pixelation & color fringing.
- Parts work in unison to optimize light distribution, balancing the high delivery of high illuminance levels on horizontal surfaces with an ideal amount of light on walls and vertical surfaces, increasing perception of spaciousness.



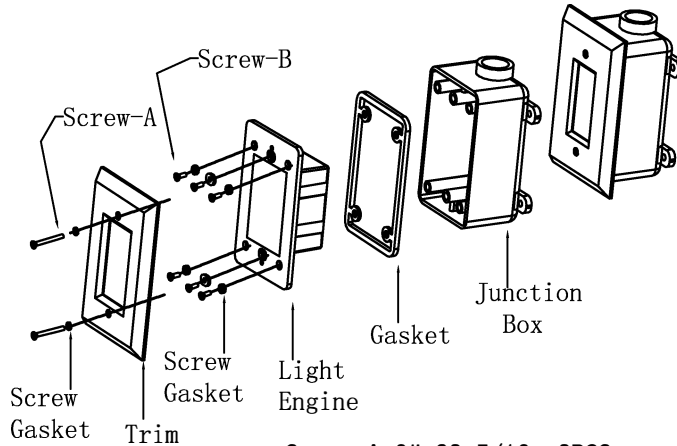
Date:	_____
Project:	_____
Price:	_____

Installation Instruction (indoor recessed use)



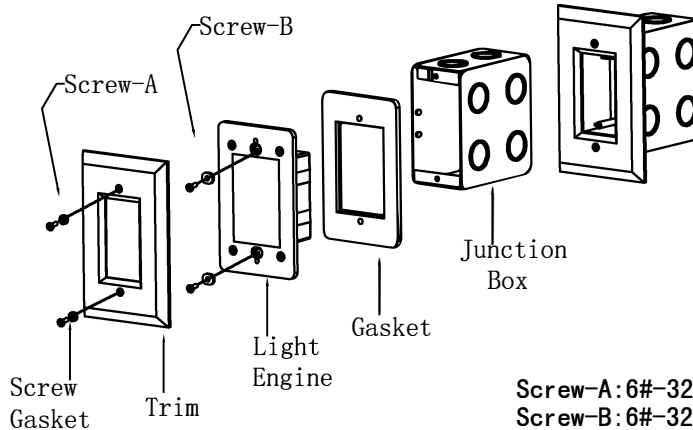
Screw-A: 6#-32*5/16, 2PCS
Screw-B: 6#-32*1/2, 2PCS

Installation Instruction (outdoor surface use)



Screw-A: 6#-32*5/16, 2PCS
Screw-B: 6#-32*1/2(12.2mm), 6pcs

Installation Instruction (outdoor recessed use)



Screw-A: 6#-32*5/16, 2PCS
Screw-B: 6#-32*1/2, 2PCS