

Date:	_____
Project:	_____
Price:	_____

Bennett Down Light

Description:

Our Bennett Down Light is a 4IN recessed module for new construction. Equipped with an integrated LED power supply and thermal management system with junction box. This fixture is ideal fixture for commercial retail properties, offices, or residential applications.

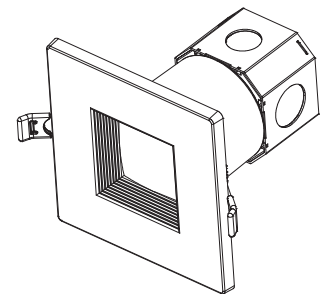
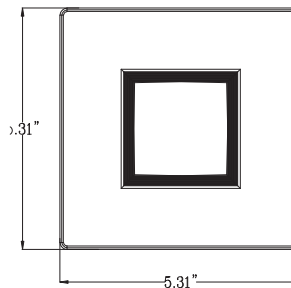
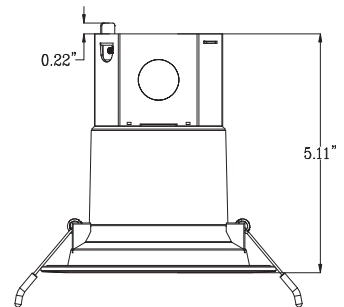
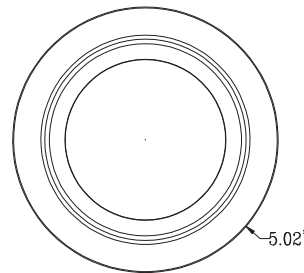


Weight: 36lbs.
Qty: 3 Per Carton

Features:

- Built in LED Driver.
- Voltage: 120V
- Wattage: 7W for 2700K, 9W for 3000K - 5000K.
- 7W- 86LM/W, 9W-67 LM/W
- Dimmable down to 10% with most dimmers.
- Construction: Durable thermoplastic.
- CRI >90
- Available Color Options: 2700K, 3000K, 3500K, 4000K, or 5000K.
- Mounting: Recessed with adjustable torsion springs.
- E26 Screw in base.
- L70 Lifetime: >50,000 hours.
- Finish: White, Black, Bronze, or Nickel.
- Compatible with insulated, Non-insulated, or Air Tight Ceilings, IC rated, Wet rated.
- 7 Year Warranty.

Dimensions:



Date:	_____
Project:	_____
Price:	_____

Ordering Key:

ILDRLBDCL

SERIES NUMBER	SHAPE	WATTAGE/ LUMENS	FINISH	CCT	ADDITIONAL OPTIONS
ILDRLBDCL	SQ - SQUARE	7W* - 600	BL - BLACK	27* - 2700K	DIM - DIMMABLE
	RD - ROUND	9W - 600	N - NICKEL	3 - 3000K	BF - 4IN SQUARE BAFFLE
			WH - WHITE	35 - 3500K	
			BR - BRONZE	4 - 4000K	
				5 - 5000K	

NOTE: 7W IS ONLY AVAILABLE IN 2700K!

SAMPLE ITEM NUMBER: ILDRLBDCL SQ 7W BL 27 DIM

Electrical Data:

- **Operating Temperature:** -4° - 104° F
- **Input Voltage:** 120V
- **CRI:** >90
- **L70** >50,000 hours.

Controls:

- This LED fixture is dimmable down to 10% with most dimmers.

