

Date:	_____
Project:	_____
Price:	_____

The Cornelia Customizable Linear

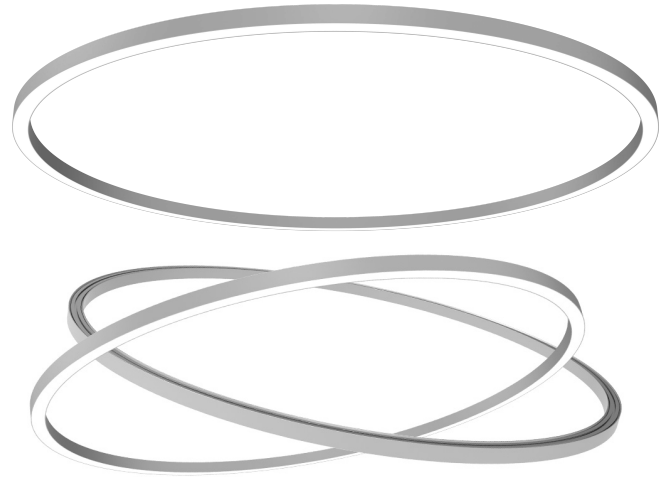
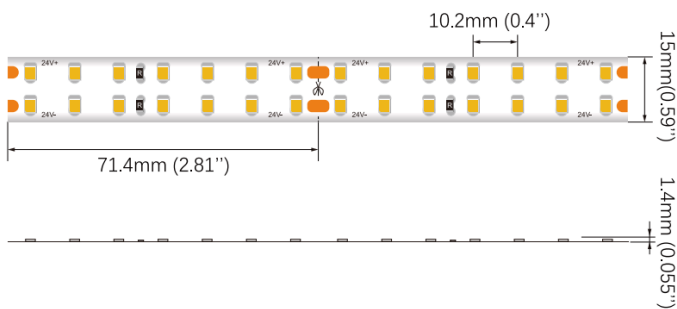
Description:

The Cornelia Customizable Linear is a unique piece with a variety of connection options. This are a smart energy saving solution for offices, lobbies, residential and retail locations.

Features:

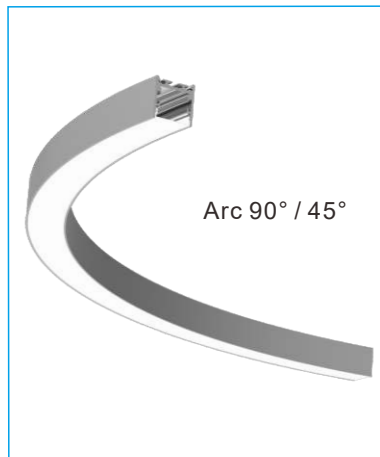
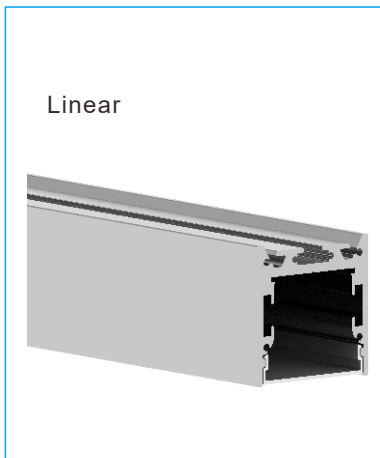
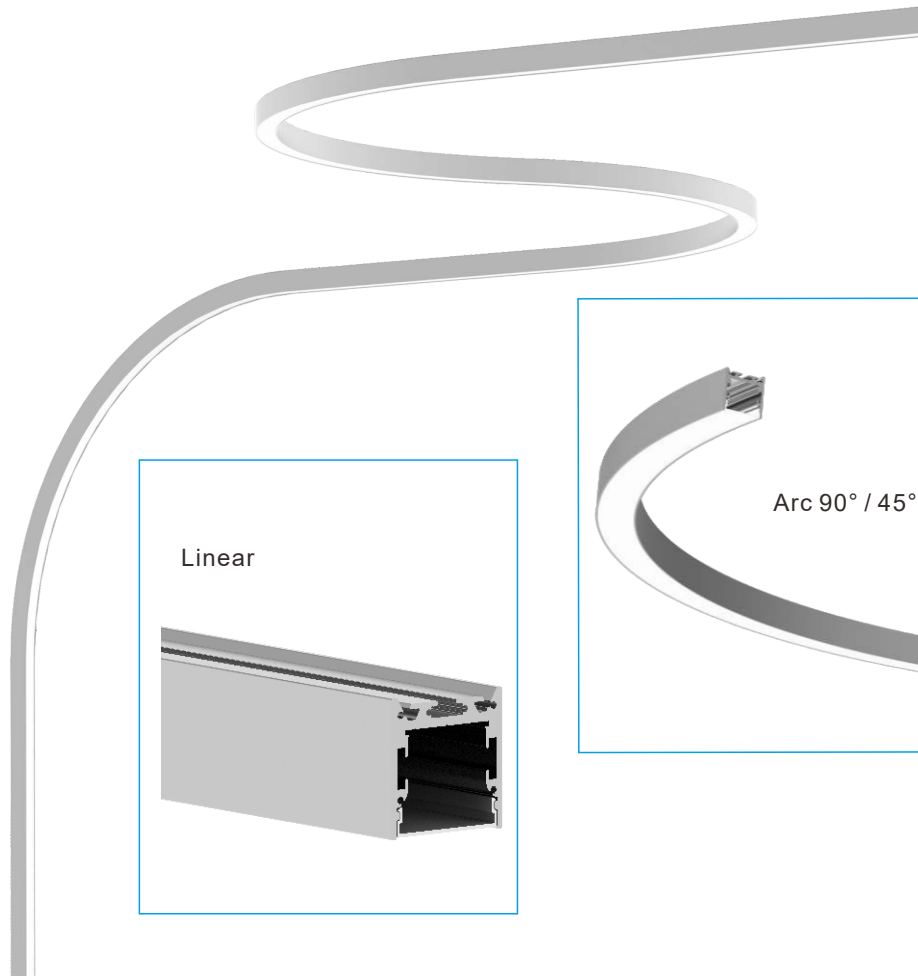
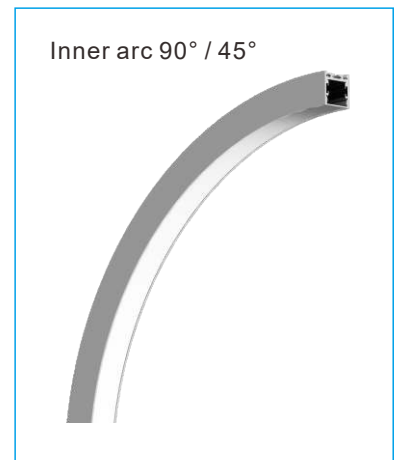
- Input Voltage: 24V DC
- Power: 6.16 W/FT
- Lumens: 831 LM/FT or 135LM/W
- Beam Angle: 120°
- CRI>90
- Available in 2700K, 3000K, 3500K, 4000K, or 6000K.
- Dimming: 0-10V, Triac, or Smart.
- Mounting Options: Pendant, or Surface mount.
- Color finish options: White, Black, or Silver.
- IP Rating: IP20, IP55, IP66, or IP67.
- Rated life: 50,000 hours
- Working temperature: -4°F ~ 113°F
- Storage temperature: 32°F ~ 140°F

Strip Dimensions:



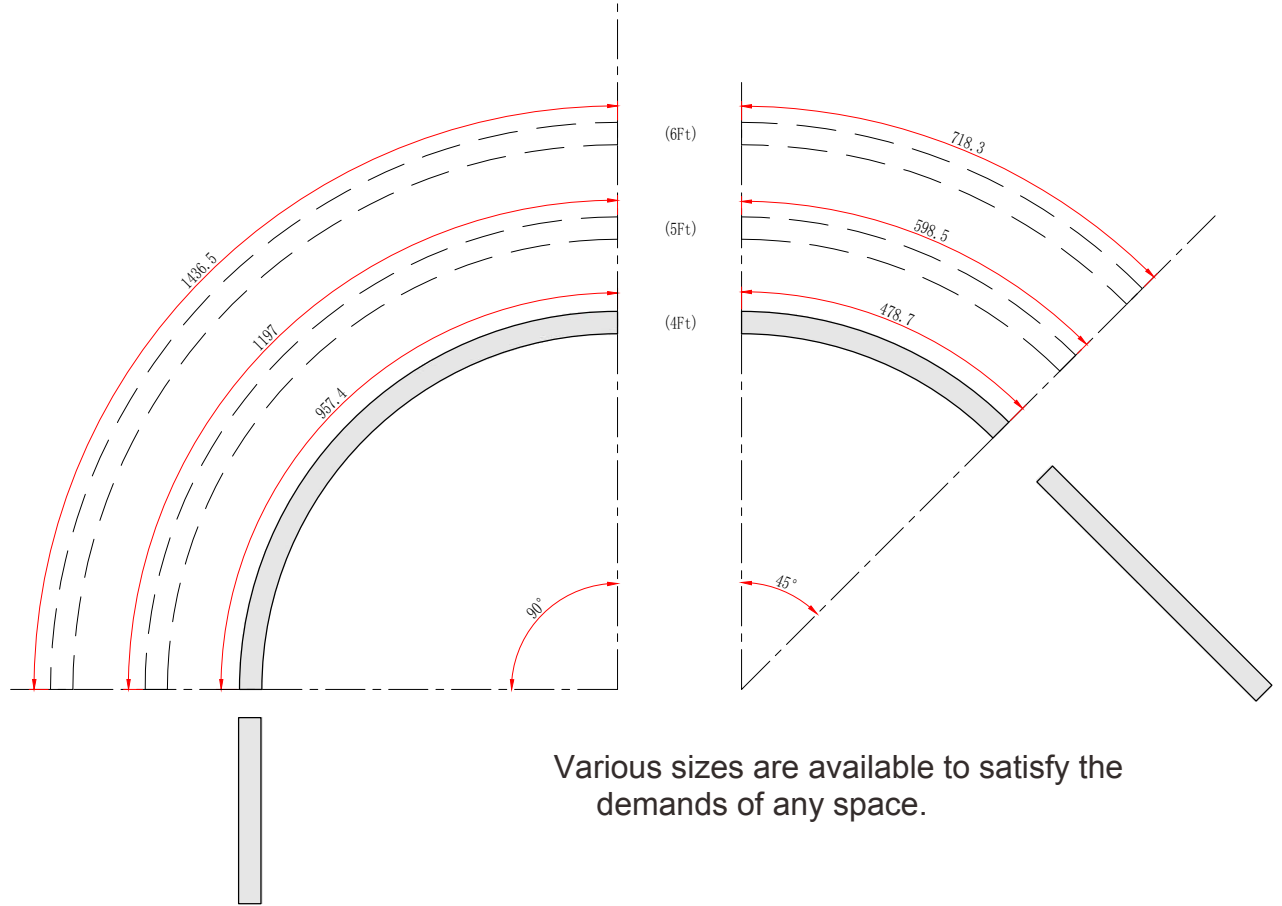
Date:	_____
Project:	_____
Price:	_____

Fixture Types:

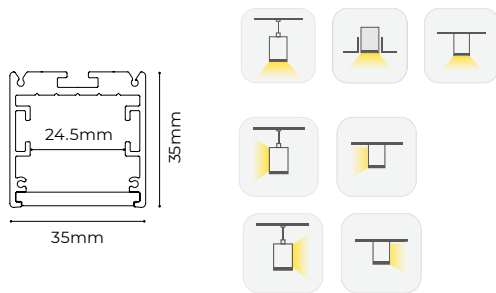


Date: _____
 Project: _____
 Price: _____

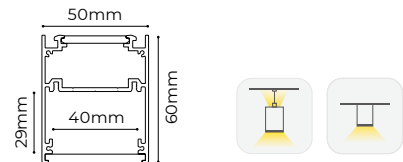
Housing Dimensions:



Various sizes are available to satisfy the demands of any space.



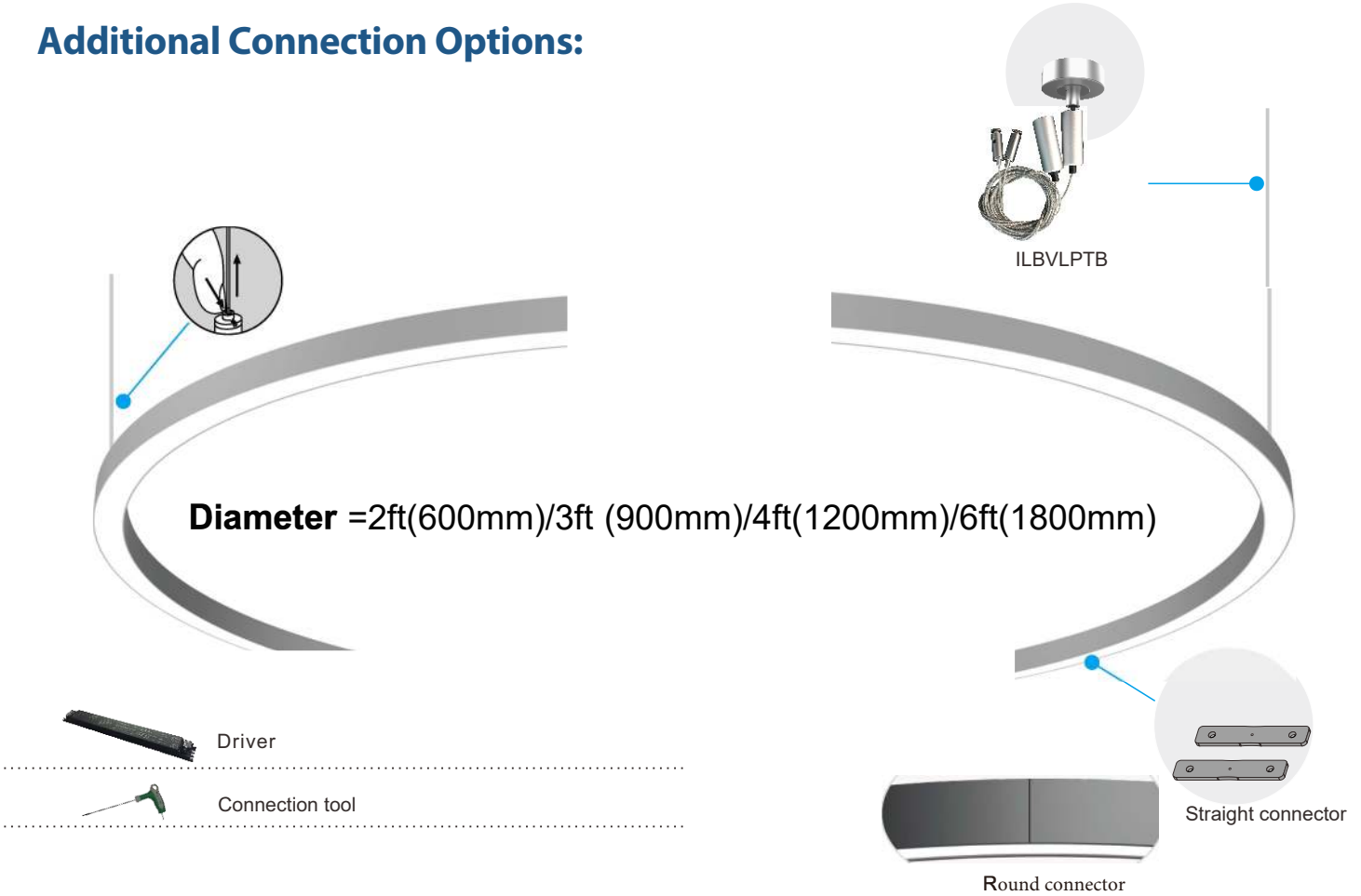
One Side Light Only



Up & Down Light

Date: _____
 Project: _____
 Price: _____

Additional Connection Options:



Ordering Key:

ILLCOBV

SERIES NUMBER	TYPE	SHAPE	LENGTH	WATTAGE	CCT	FINISH	DIMMING	MOUNTING
ILLCOBV	1 - Down	L - LINEAR	4F - 4FT	xW - Input Wattage	27K - 2700K	B - BLACK	DM - 0-10V	P - Pendant
	2 - Up & Down		6F - 6FT		3K - 3000K		TD - TRIAC	S - Surface Mount
			8F - 8FT		35K - 3500K		SD - SMART	R - Recessed*
		C45 - 45°	2F - D 2FT		4K - 4000K			
		C90 - 90°	3F - D 3FT		6K - 6000K			
		CN45 - Inner 45°	4F - D 4FT					
		CN90 - Inner 90°	6F - D 6FT					
		CO45 - Outer 45°						
	CO90 - Outer 90°		xF/DxF - Custom Options					

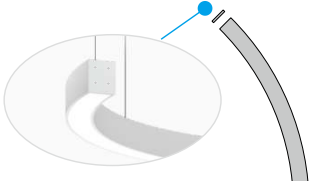
SAMPLE ITEM NUMBER: ILLCOBV1 C90 3F 35K W P

* Only available for Down light only (Type 1).

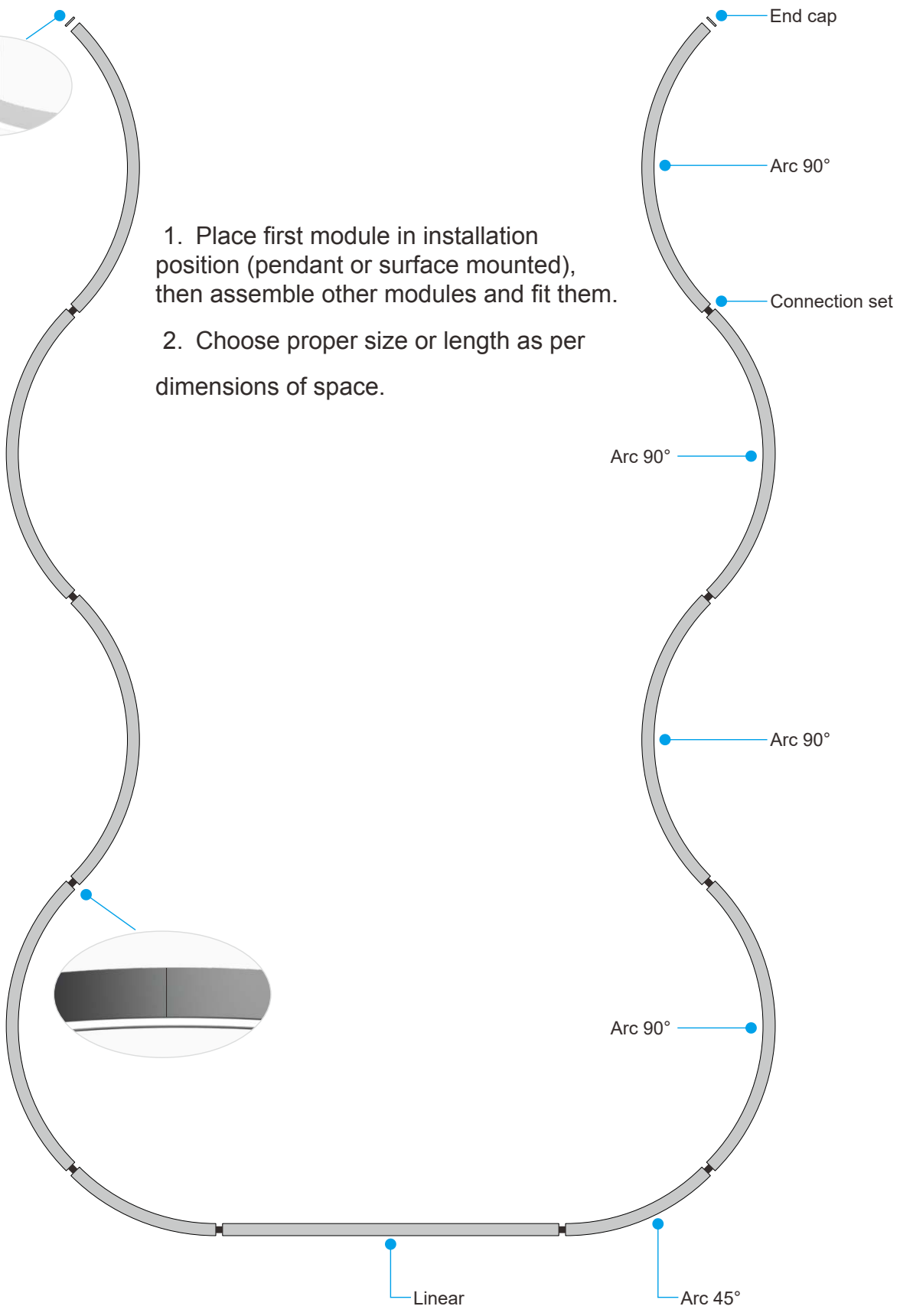


Date:	_____
Project:	_____
Price:	_____

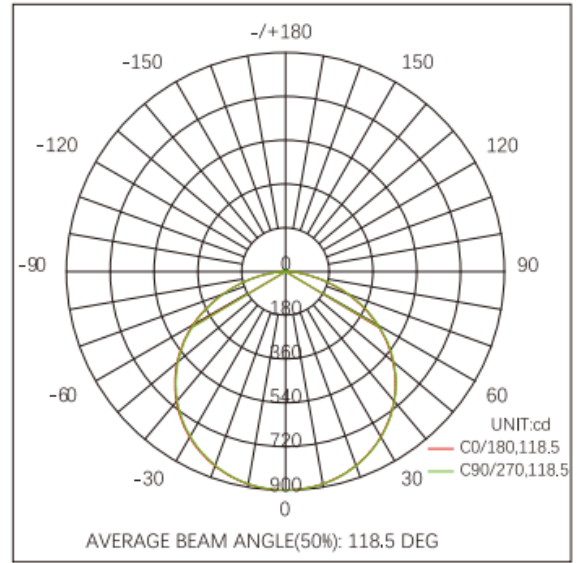
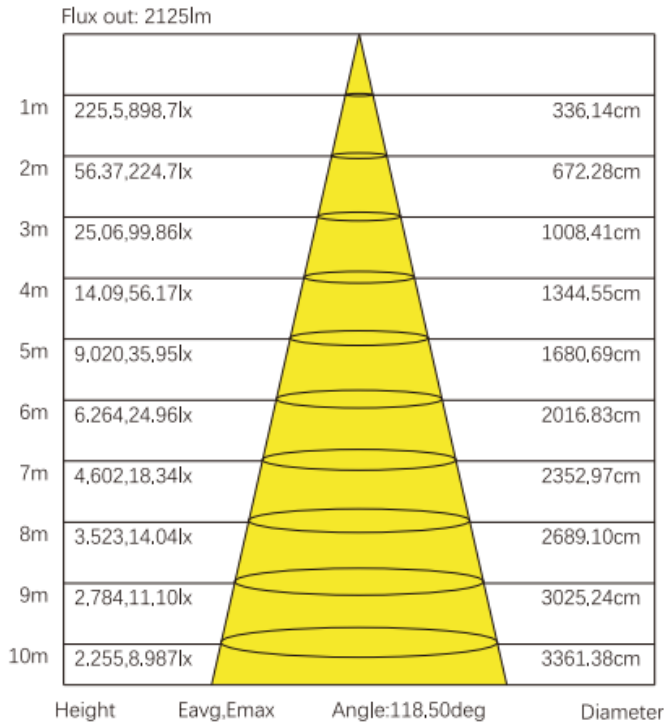
Installation Instructions:



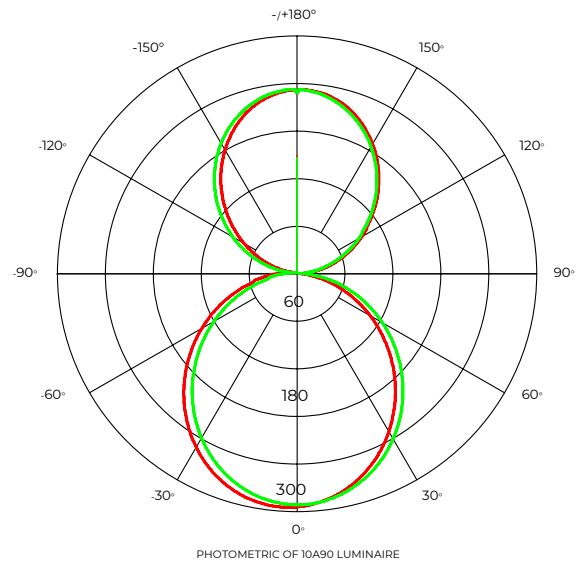
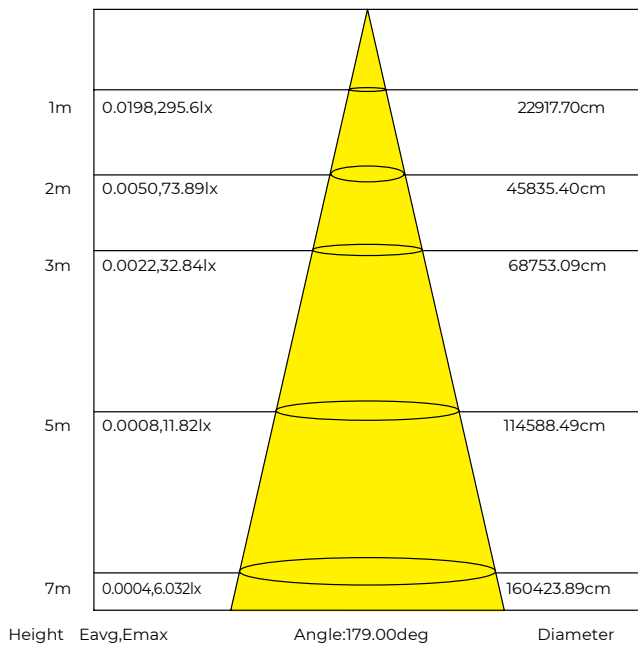
1. Place first module in installation position (pendant or surface mounted), then assemble other modules and fit them.
2. Choose proper size or length as per dimensions of space.



Photometrics:



Down light only



Up & Down light

