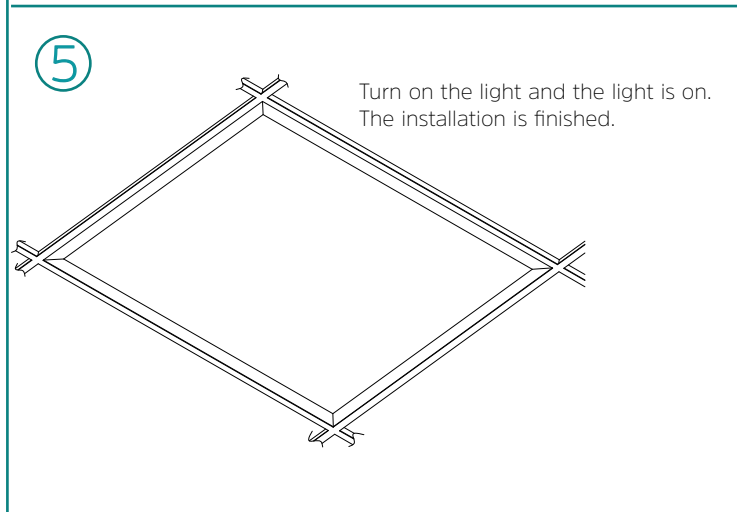
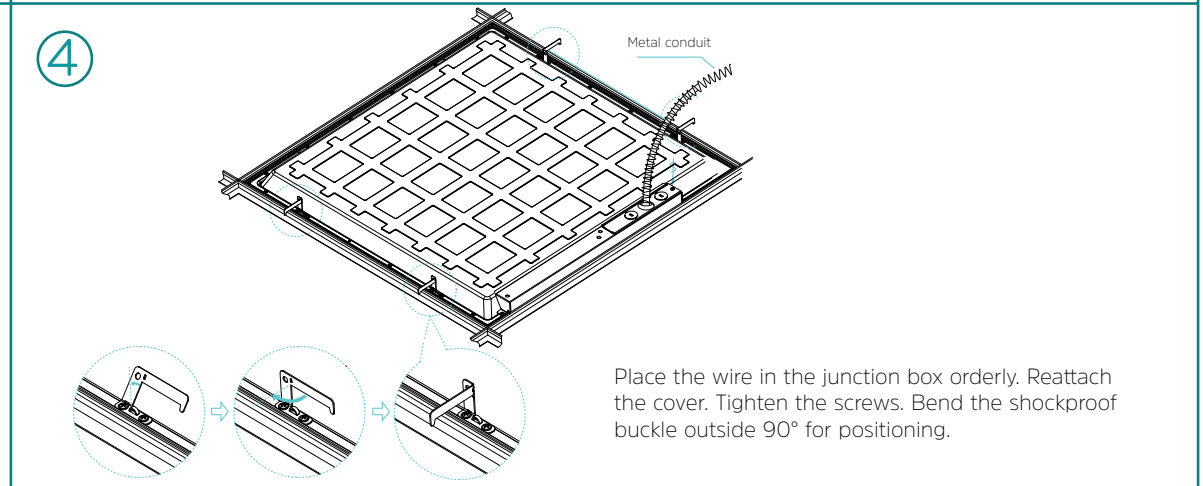
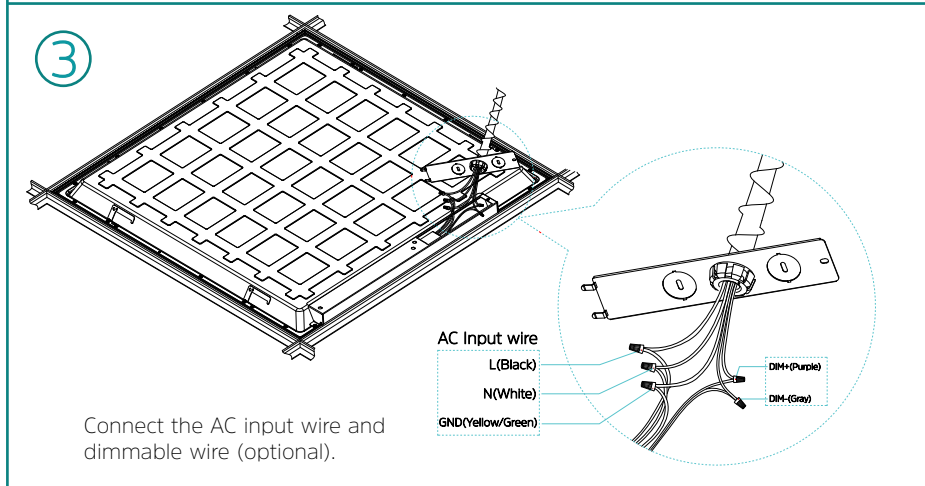
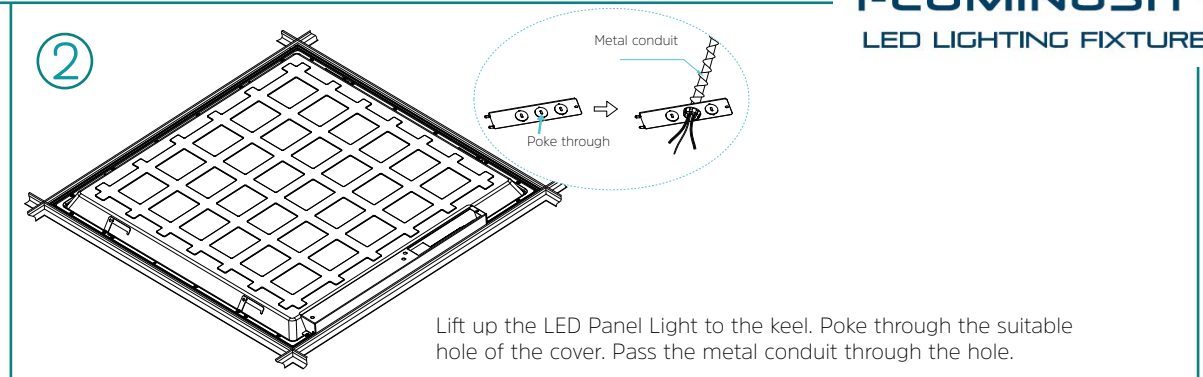
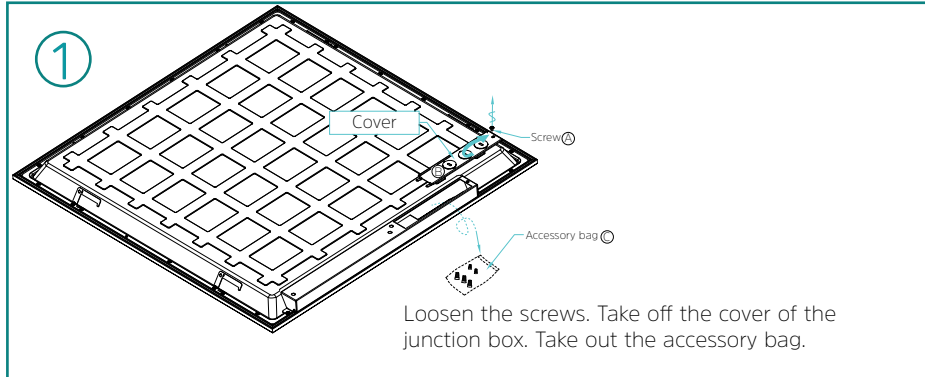


## INSTALLATION STEPS (General 1-10V Dimming Type)



**i-LUMINOSITY**  
LED LIGHTING FIXTURES



### ⚠ Quality Warranty:

- (1).Quality guarantee is based on storing, installing,operating and maintaining correctly in the normal operation condition.
- (2).Quality assurance is based on the product is installed in a flat surface.
- (3).Due to improper installation or mounting surface is not flat lead to product quality issues not covered by the warranty.
- (4).It is not included in our maintaining range when installing inappropriately, breaking the operating rules, and leading to the products damaging
- (5).Our company will maintain the right to either repair,parts replacing,or products exchange during the quality warranty period

### Safety Note: Non professional do not operate the relative work

- (1).Before using the light, please check the integrity of the package and the product. If the light was damaged during transportation, please do not use it.
- (2).Please do not hit or press it with heavy substance.
- (3).Please Handle and transport gently.
- (4).Before cleaning the light, please make sure the power supply has been turned off.
- (5).Never use any chemicals or abrasives for cleaning.
- (6).Please do not touch and twist the lamp when power is on.
- (7).Light warm is normal when power is on.