



i-LUMINOSITY
LED LIGHTING FIXTURES

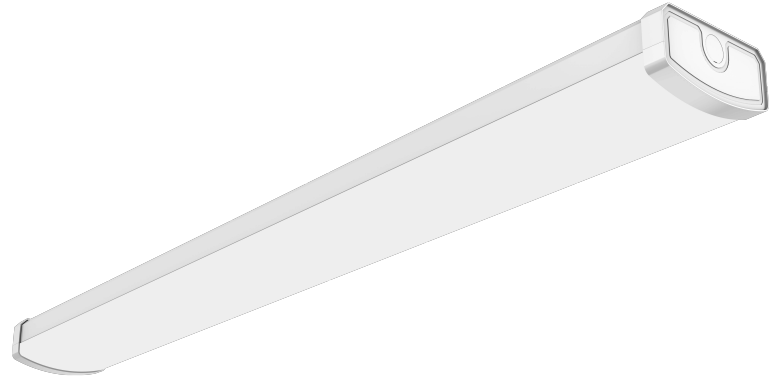
Date:	_____
Project:	_____
Price:	_____

INSTALLATION INSTRUCTIONS

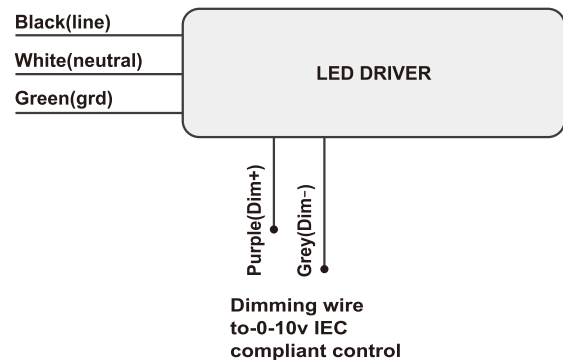
IMPORTANT:

Before assembling your fixture, please make sure that you carefully read through this instruction sheet. Consider having your fixture installed by a qualified licensed electrician.

Note: The important safeguards and instructions that appear in this sheet are not meant to cover all possible conditions and situations that may occur. It must be understood that common sense, caution, and care are factors that cannot be built into any product. These factors must be supplied by the person(s) caring for and operating the fixture.



GENERAL WIRING DIAGRAM



Note:

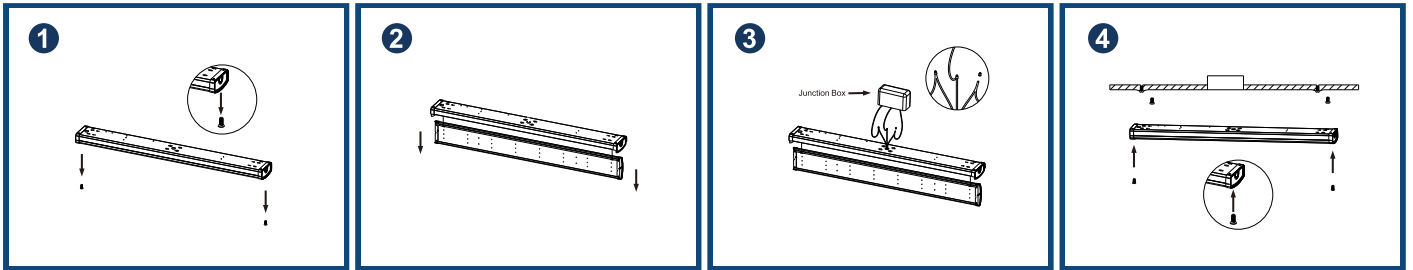
In the case of 208 or 240 line voltage, the 2nd hot leg will be connected to the white lead coming from the fixture.

Always turn off the power supply from main circuit breaker before beginning.

WARNING:

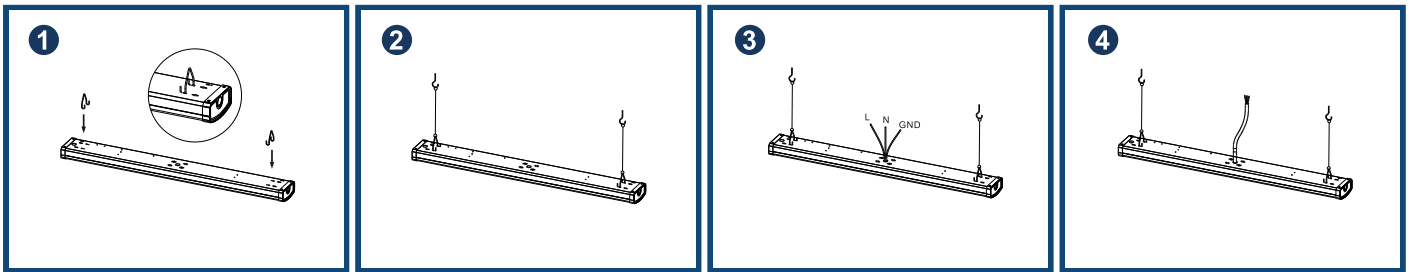
- Turn off electrical power at fuse or circuit breaker box before wiring fixture to the power supply.
- Turn off the power when you perform any maintenance.
- Verify that supply voltage is correct by comparing it with the luminaire label information.
- Modifications to the product voids the warranty.

TO SURFACE MOUNT THE FIXTURE



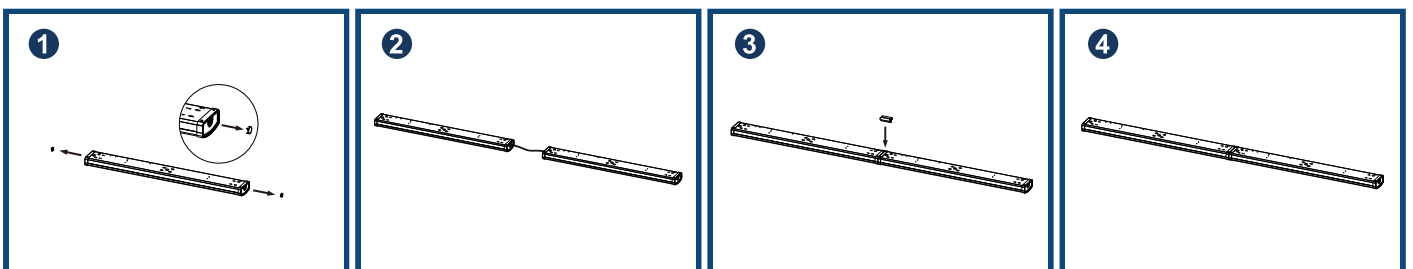
1. Remove the both end screws of the fixture.
2. Open the upper part of the fixture.
3. Connect the wires stuff the wire nuts into junction box and twist the fixture clockwise to secure it.
4. Then mount the fixture onto the ceiling with mounting screws.
5. Installation is complete.

TO CHAIN HANG THE FIXTURE



1. Install the hanging hooks (included) onto the top of the fixture. Make sure the wiring hangers are fully engaged into the holes on the top channel.
2. Hook the chain onto the hanging hooks, then onto the ceiling anchors (not provided).
3. Open the wiring cover and make the wiring connections with terminal cap (refer to the General Wiring Diagram), then replace the wiring cover.
4. Installation is complete.

TO INSTALL END-TO-END



1. Remove the small end caps from the fixture, insert the connector directly.
2. Optional interconnect or linkable connector will be used. Please purchase the connectors directly when placing your order.
3. The lamps are connected together, the maximum quantity of the connected lamps is 8PCS.
4. The installation is completed.