



i-LUMINOSITY
LED LIGHTING FIXTURES

Date:	_____
Project:	_____
Price:	_____

Mason Wallwasher:

Description:

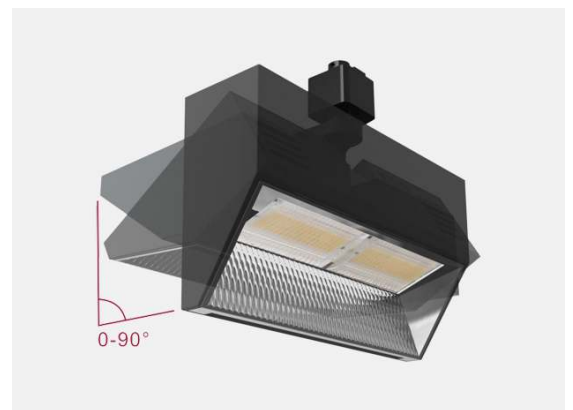
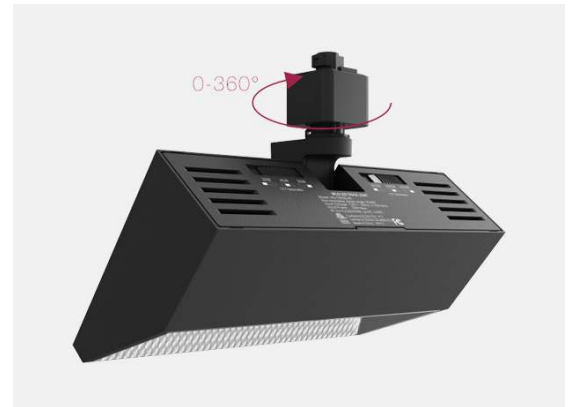
Our high-power, Mason Wallwasher is compatible with J, H, L, track systems: 120V input. This fixture can aim 90° horizontally with a 360° vertical rotation allowing light where needed. Perfect for museums, offices, or retail applications.

Features:

- Voltage: 120-277V
- Wattage: 30W/40W/50W
 - This fixture is 3 in 1 selectable. Easily switch between 30W/40W/50W
- 100LM/W or 140 LM/W
- J, H, L, Tek track systems
- Finish: White or Black.
- Reflector Finish Color: Chrome or White
- L70 Lifetime: >100,000 hours
- CRI >90
- Operating temperature: -4°F ~ 104°F
- Available color options: 3000K, 3500K, 4000K
 - Selectable CCT allows you to switch between 3K, 35K, and 4K.
- Beam angle: 360° rotation, 90° horizontally.
- 7 Year Warranty.

Applications:

- Offices
- Retail
- Museums
- Supermarkets



Date:	_____
Project:	_____
Price:	_____

Ordering Key:

SERIES NUMBER	WATTAGE	LUMENS	CCT	FINISH	REFLECTORS
ILTLMWKL	30W - 30W	SO - 100 LM/ W	3 - 3000K	WH - WHITE	WH - WHITE
	40W - 40W	HO - 140 LM/ W	35 - 3500K	BK - BLACK	CH - CHROME
	50W - 50W		4 - 4000K		

SAMPLE ITEM NUMBER: ILTLMWKL 30W 3 BK CH

Electrical Data:

- **Input power:** Stays consistent over life
- **Input Voltage:** 120-277VAC
- **Operating Temperature:** -4°F ~ 104°F
- **CRI:** >90
- **L70 Lifetime:** >100,000 hours

Optical System:

- A unique combination of reflective & refractive optical components achieves a uniform, comfortable look while eliminating pixelation & color fringing.
- Parts work in unison to optimize light distribution, balancing the high delivery of high illuminance levels on horizontal surfaces with an ideal amount of light on walls and vertical surfaces, increasing perception of spaciousness.

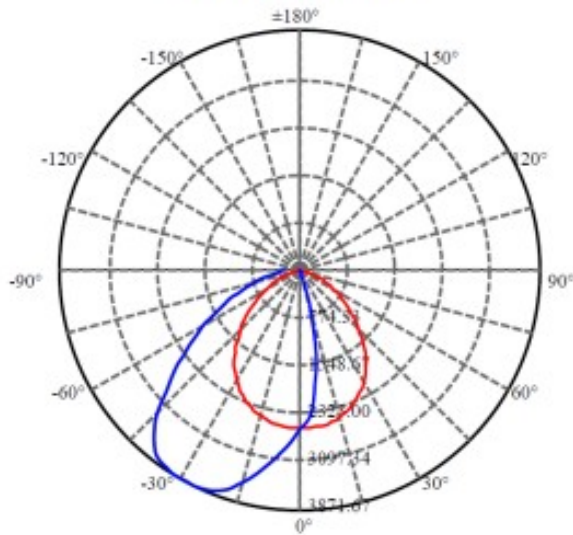


Date:	_____
Project:	_____
Price:	_____

Photometrics:

LIGHT DISTRIBUTION

Chrome Reflector



White Reflector

