

Date:	_____
Project:	_____
Price:	_____

# GRANGER EMERGENCY SIGN

## Description:

Our Granger Emergency Exit Sign can be recessed or wall mounted. Suitable for damp locations. This NYC approved fixture has 2 fully adjustable LED emergency lights with a changeable acrylic exit panel.



## Features:

- 120/277 VAC. 60Hz dual voltage.
- Power: 3W Max.
- Charge 24 hour, discharge 90 Min.
- Test switch LED indicator.
- Mounting: Recessed or Wall Mounted.
- Construction: Steel housing, aluminum trim plate.
- Letters: 8IN Height.
- Suitable for damp locations.
- Battery: Ni-Mh 3.6V battery.
- Lamp Heads:  
Standard Model: 1.5W x 2PCS, 250LM  
HO Model: 2.5W x 2PCS, 400LM
- 7 Year Warranty.
- Dimensions: 13.5" x 2.75" x 8.7"IN

## Ordering Key:

ILNYEXGEGR

SERIES NUMBER	MODEL	CCT	MOUNTING	ADDITIONAL OPTIONS
ILNYEXGEGR	SD- STANDARD MODEL HO- HO MODEL	R - RED	R - RECESSED WM - WALL MOUNT	ST - SELF TESTING SDT - SELF DIAGNOSTIC

**NOTES:**

1. MOQ 50 PCS.
2. Please allow for a minimum 4 week lead time.

SAMPLE ITEM NUMBER: ILNYEXGEGR R R SDT

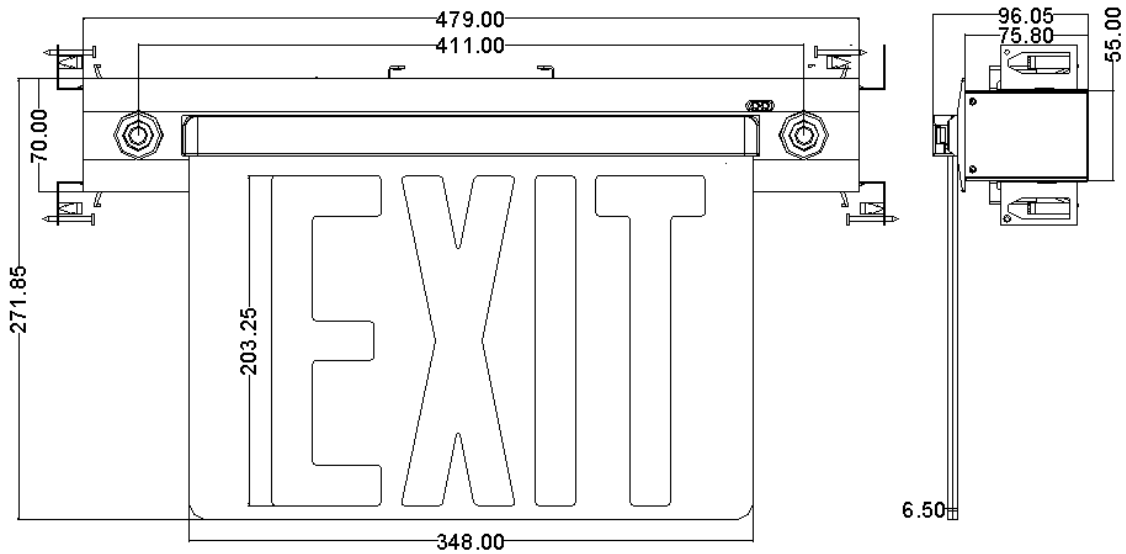
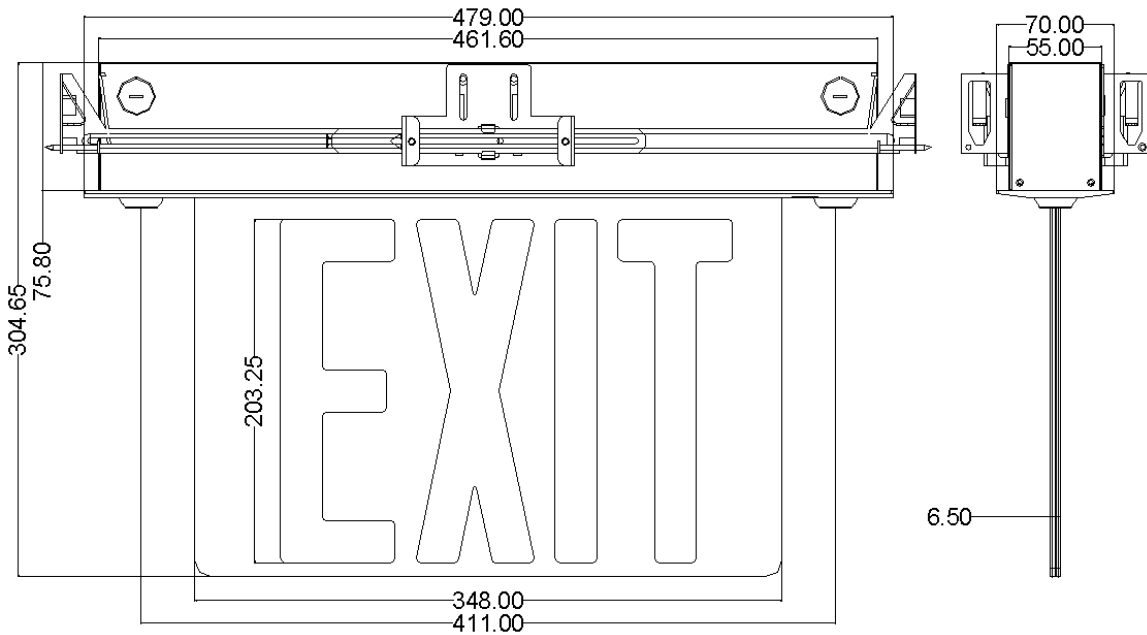




**i-LUMINOSITY**  
LED LIGHTING FIXTURES

Date:	_____
Project:	_____
Price:	_____

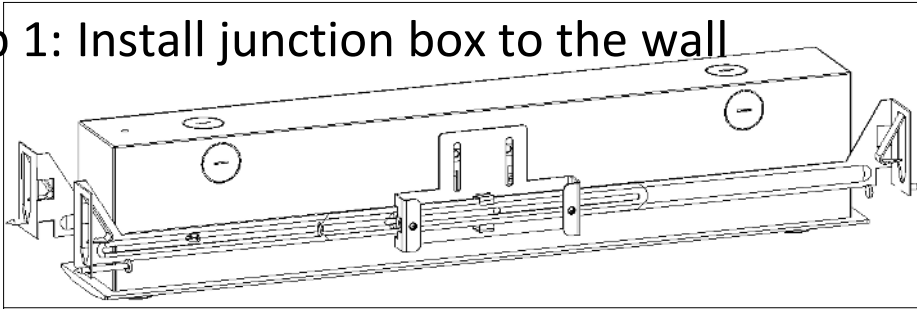
**Dimensions:**



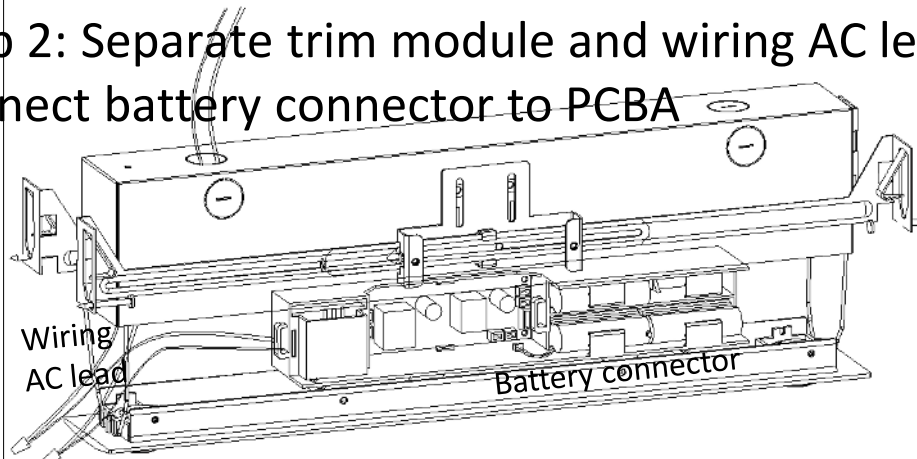
Date: \_\_\_\_\_  
Project: \_\_\_\_\_  
Price: \_\_\_\_\_

**Installation:**

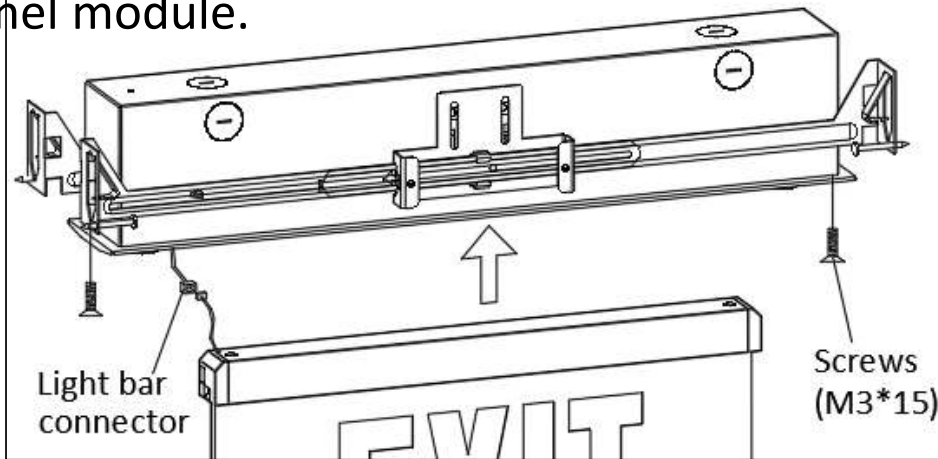
Step 1: Install junction box to the wall



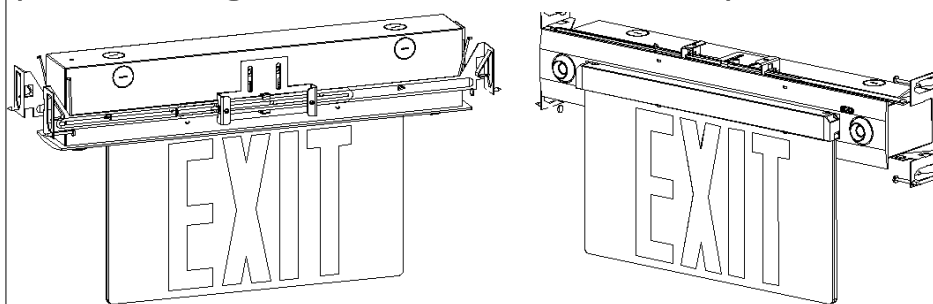
Step 2: Separate trim module and wiring AC lead, connect battery connector to PCBA



Step 3: Push the unit back to the junction box, assembly panel module.



Step 4: ceiling or surface mount for panel module.

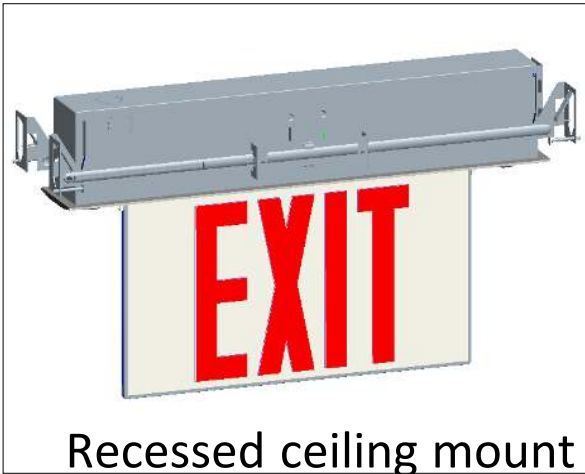
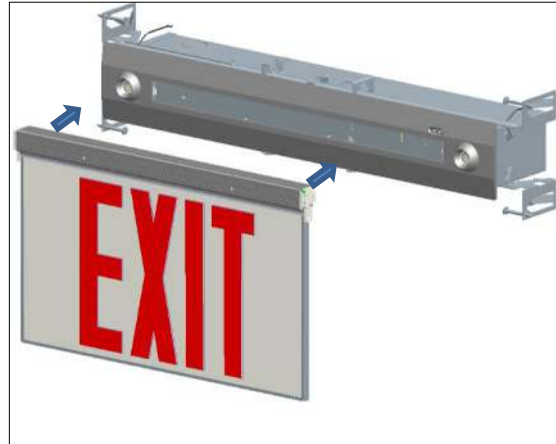
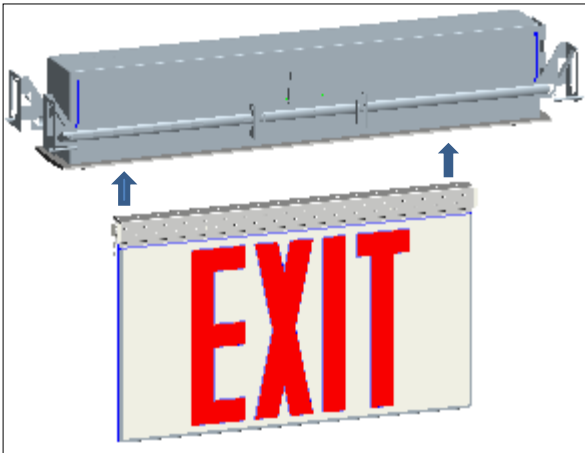




**i-LUMINOSITY**  
LED LIGHTING FIXTURES

Date: \_\_\_\_\_  
Project: \_\_\_\_\_  
Price: \_\_\_\_\_

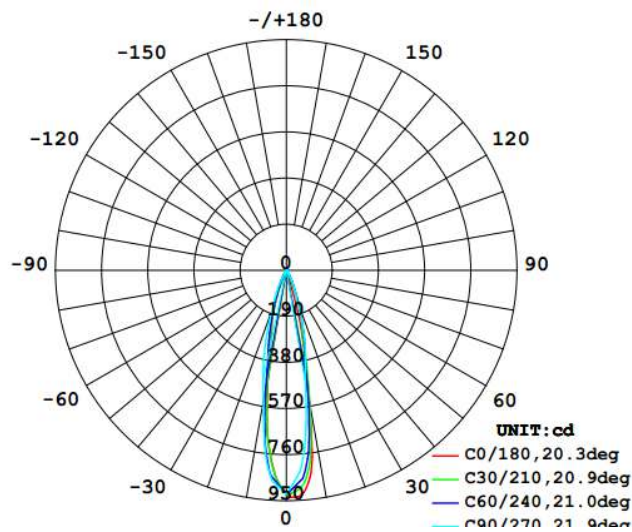
**Recessed Ceiling or Recessed Wall Mount:**



Recessed ceiling mount

Recessed wall mount

**Photometrics:**



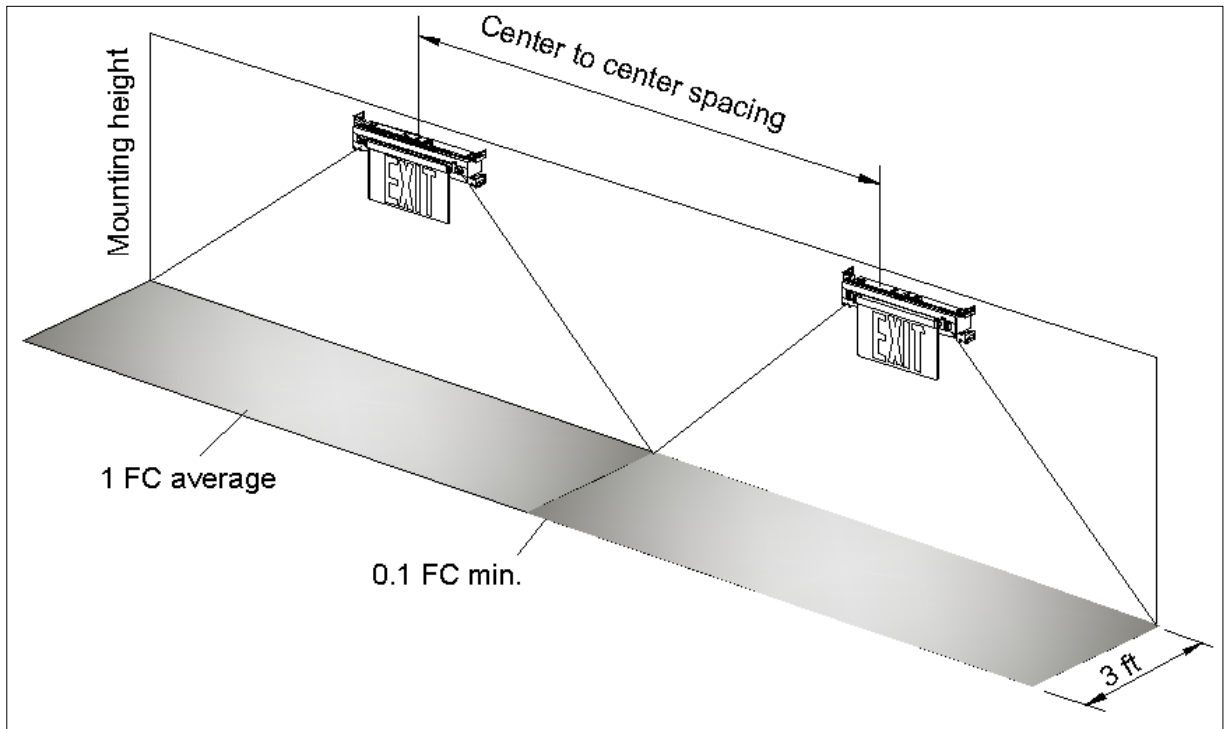


**i-LUMINOSITY**  
LED LIGHTING FIXTURES

Date:	_____
Project:	_____
Price:	_____

### Center to Center Spacing:

NFPA 101 requires 1.0 foot-candle average and 0.1 foot-candle minimum with a 40:1 maximum/minimum ratio. The corridor used is 100 feet long, 9 feet ceiling with a 6 feet wide walkway and 3 feet path of egress. The reflectance are 80% ceiling, 50% walls and 20% floor. The fixture mounting height is 7.5 feet.



No.	Model	Spacing @ 7.5 feet mounting height	Spacing @ 10 feet mounting height
1	Standard Model	24 FT	25 FT
2	HO Model	30 FT	30 FT

