

Date:	_____
Project:	_____
Price:	_____

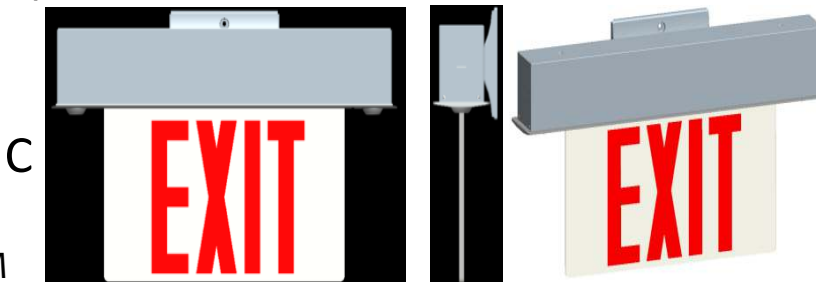
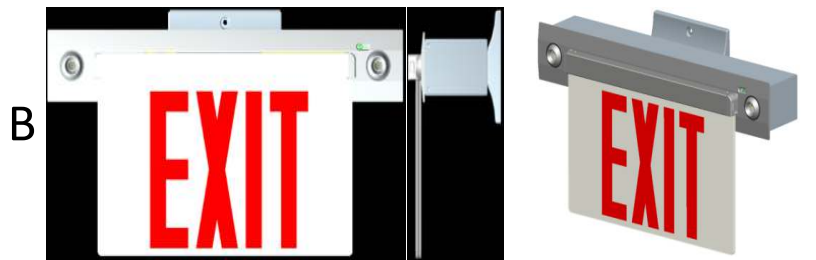
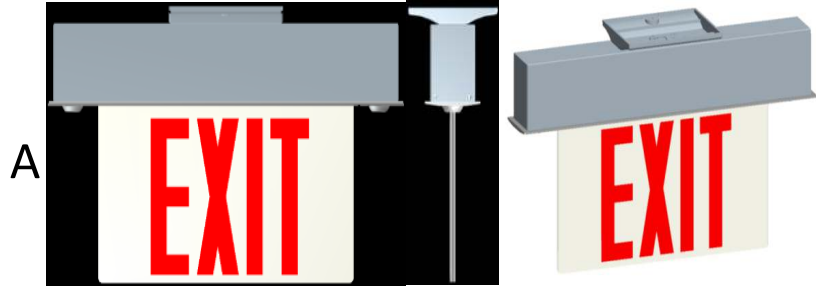
APOLLO EMERGENCY SIGN

Description:

Our Apollo Emergency Exit Sign can be surface mounted or wall mounted. Suitable for damp locations. This NYC approved fixture has 2 fully adjustable LED emergency lights with a replaceable directional indicator.

Features:

- 120/277 VAC. 60Hz dual voltage.
- Power: 3W Max.
- Charge 24 hour, discharge 90 Min.
- Test switch LED indicator.
- Mounting: Surface or Wall Mounted.
- Construction: Steel housing, aluminum trim plate.
- Letters: 8IN Height.
- Suitable for damp locations.
- Battery: Ni-Mh 3.6V battery.
- Lamp Heads:
Standard Model: 1.5W x 2PCS, 250LM
HO Model: 2.5W x 2PCS, 400LM
- 7 Year Warranty.
- Dimensions: 13.5" x 2.75" x 8.7"IN



Ordering Key:

ILNYEXAEGR				
SERIES NUMBER	MODEL	CCT	MOUNTING	ADDITIONAL OPTIONS
ILNYEXAEGR	SD- STANDARD MODEL HO- HO MODEL	R - RED	SM - SURFACE MOUNT WM - WALL MOUNT	ST - SELF TESTING SDT - SELF DIAGNOSTIC

NOTES:
1. MOQ 50 PCS.
2. Please allow for a minimum 4 week lead time.

SAMPLE ITEM NUMBER: ILNYEXAEGR SD R SM SDT

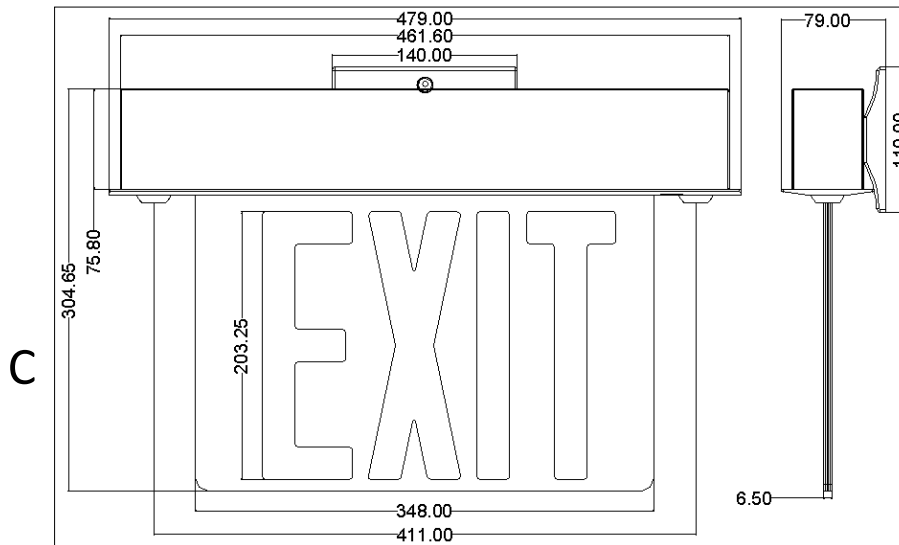
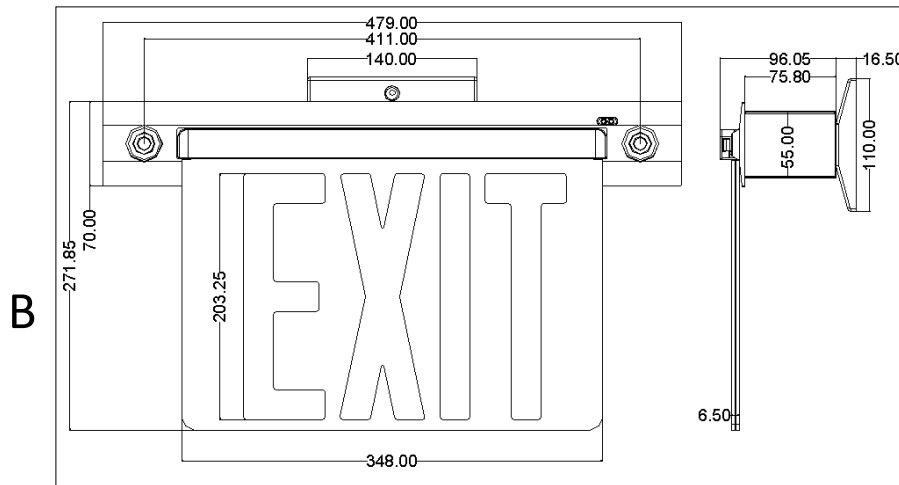
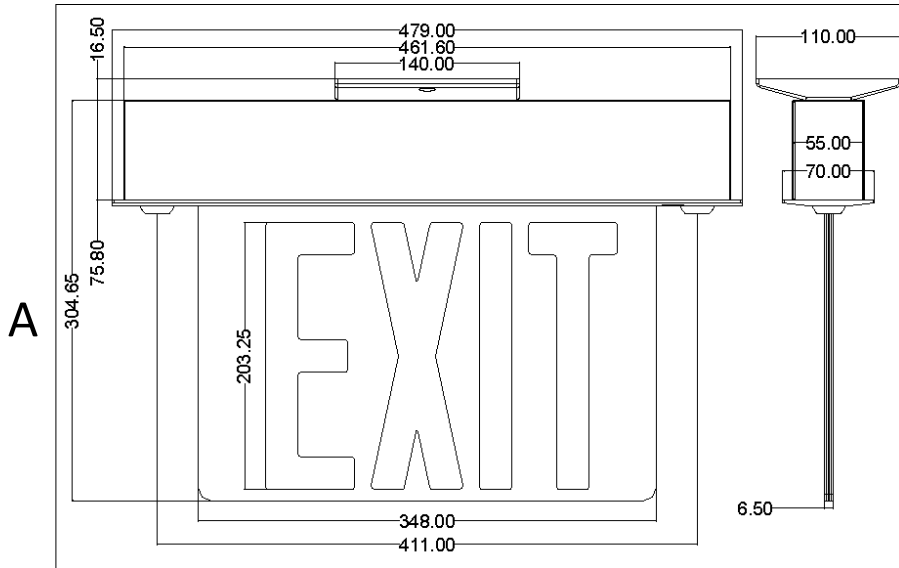




i-LUMINOSITY
LED LIGHTING FIXTURES

Date:	_____
Project:	_____
Price:	_____

Dimensions:



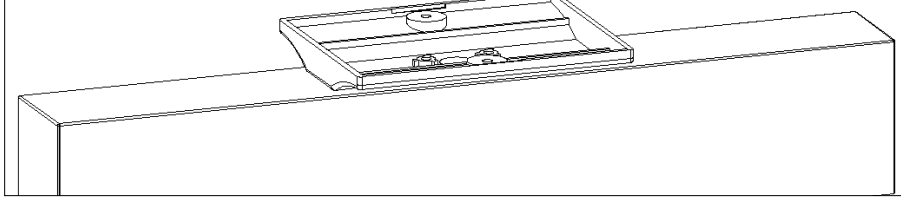


i-LUMINOSITY
LED LIGHTING FIXTURES

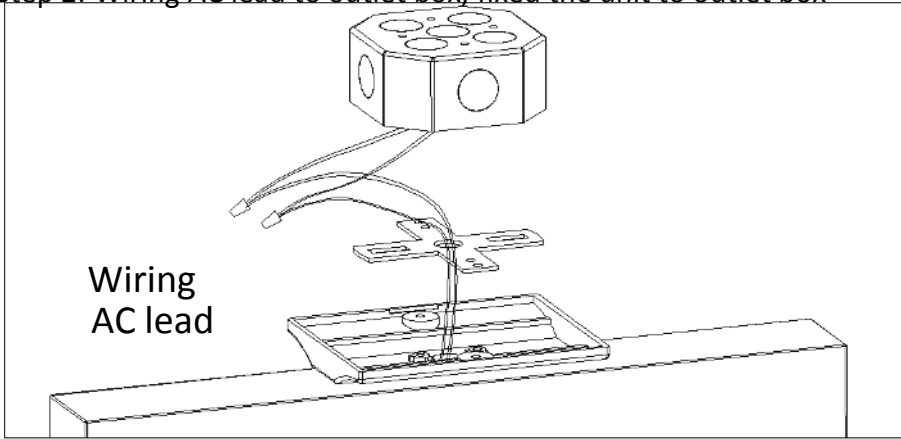
Date:	_____
Project:	_____
Price:	_____

Product Assembly Exploded:

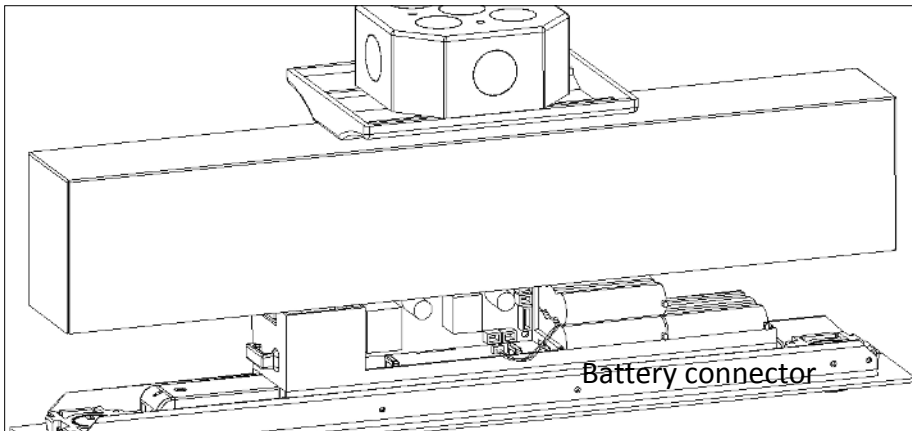
Step 1: Install canopy to junction box



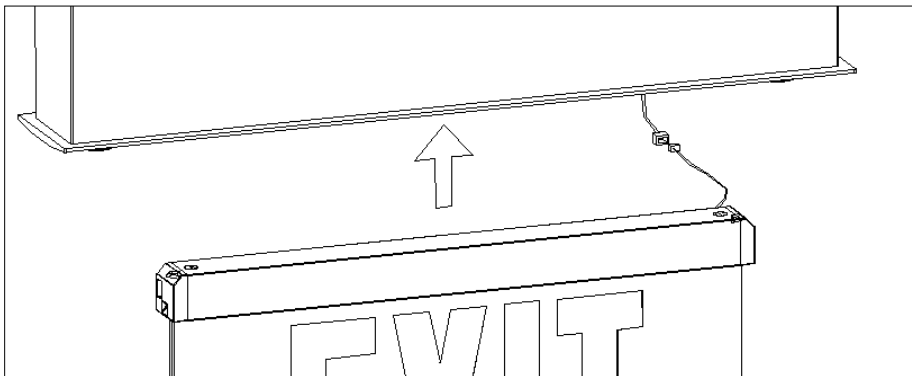
Step 2: Wiring AC lead to outlet box, fixed the unit to outlet box



Step 3: Separate trim module and connect battery connector to PCBA



Step 4: Push the unit back to the junction box, assembly

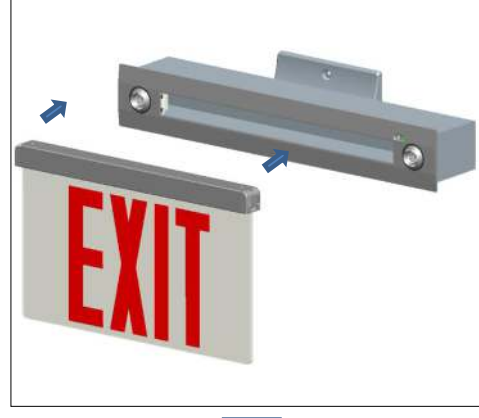
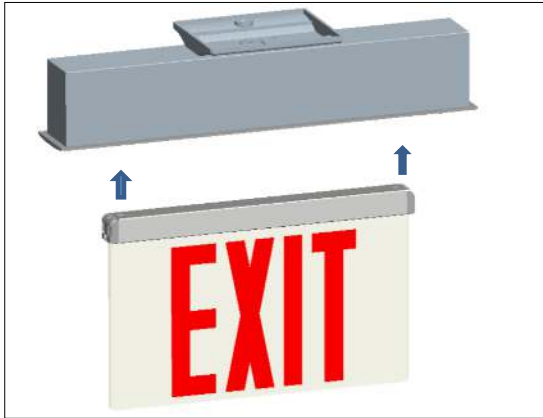




i-LUMINOSITY
LED LIGHTING FIXTURES

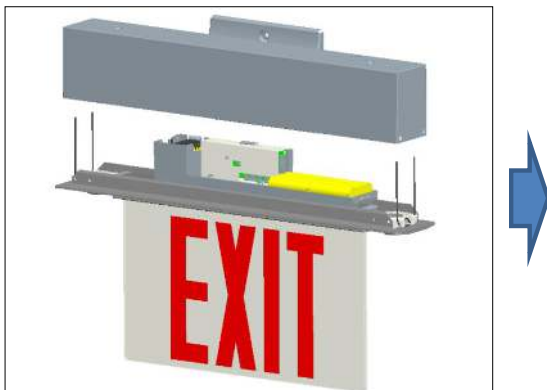
Date:	_____
Project:	_____
Price:	_____

Surface Ceiling or Surface Wall Mount:



Surface ceiling mount

Surface wall mount I



Surface wall mount II

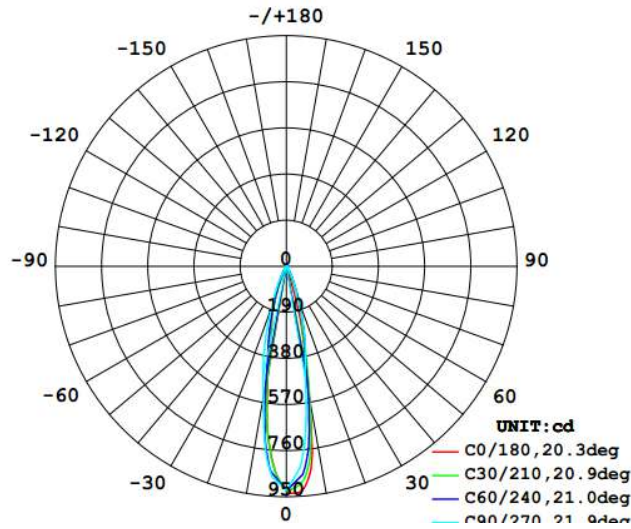




i-LUMINOSITY
LED LIGHTING FIXTURES

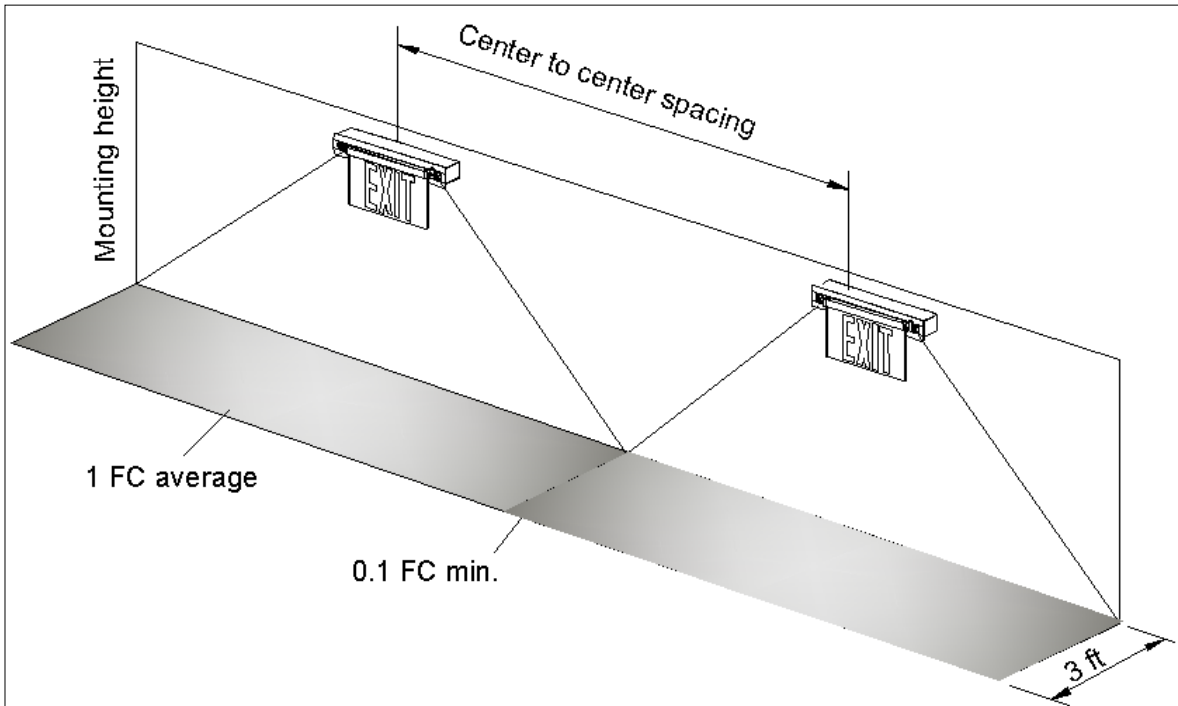
Date: _____
Project: _____
Price: _____

Photometrics:



Center to Center Spacing

NFPA 101 requires 1.0 foot-candle average and 0.1 foot-candle minimum with a 40:1 maximum/minimum ratio. The corridor used is 100 feet long, 9 feet ceiling with a 6 feet wide walkway and 3 feet path of egress. The reflectance are 80% ceiling, 50% walls and 20% floor. The fixture mounting height is 7.5 feet.



No.	Model	Spacing @ 7.5 feet mounting height	Spacing @ 10 feet mounting height
1	Standard Model	24 FT	25FT
2	HO Model	30 FT	30FT

