

Date:	_____
Project:	_____
Price:	_____

LED Kensington Tube:

Description:

i-Luminosity's Kensington Tubes provide ample lighting or can be directed to a specific location. Available in 3000K, 4000K, or 5000K. Perfect for damp locations, IP44 rating for retrofits or standard fixtures.



Features:

- AC 120-277V
- Rated life: 50,000 hours
- CRI>90
- Available in 3000K, 4000K, 5000K.
- Beam Angle: 120°
- Operating temperature: -20°F ~ 122°F
- 7 Year Warranty.



Ordering Key:

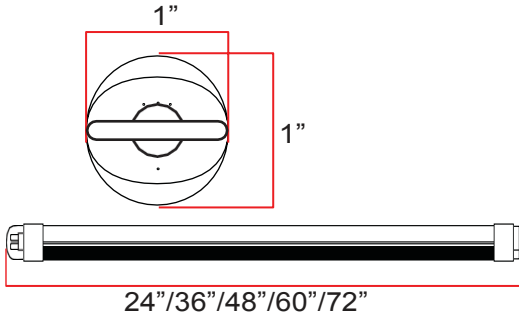
SERIES NUMBER	SIZE	WATTS/LUMENS	LENS	CCT
ILTBKTJM	2FT - 2FT	8W - 8W / 1,120	C - CLEAR	3K - 3000K
	3FT - 3FT	8W3 - 8W / 930	F - FROSTED	4K - 4000K
	4FT - 4FT	15W - 15W / 1,700		5K - 5000K
	4FT - 4FT	18W - 18W / 2,100		
	4FT - 4FT	22W - 22W / 2,420		
	5FT - 5FT	20W5 - 20W / 2,050		
	5FT - 5FT	22W5 - 22W / 2,880		
	6FT - 6FT	22W6 - 22W / 3,000		
	6FT - 6FT	30W - 30W / 3,930		

SAMPLE ITEM NUMBER: ILTBKTJM 8W 5K C



Date:	_____
Project:	_____
Price:	_____

Dimensions:



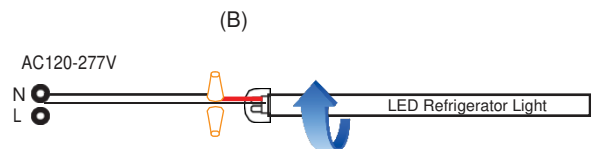
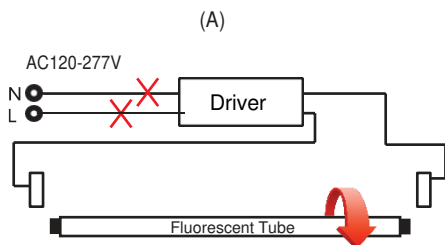
Electrical Data:

- **Input power:** Stays consistent over life
- **Input Voltage:** 100-277V
- **Operating Temperature:** -20F ~ 224F
- **CRI:** >90
- **Life Expectancy:** ~50,000 hours

Installation Instructions:

Retrofit Procedure:

1. Turn OFF power to the fixture at the breaker panel before installation.
2. Remove the fluorescent tubes (A) and dispose of these properly as they may contain mercury.
3. Cut the ballast and/or driver wires nearest to the connector and remove (A).
4. Use mounting holes to install LED tube into the lighting fixture and make AC connections using wire connectors (B).
5. Switch ON power to the fixture at the breaker panel



Date:	_____
Project:	_____
Price:	_____

Before & After:

