

Date:	_____
Project:	_____
Price:	_____

LED Kensington Tube:

Description:

i-Luminosity's Kensington refrigeration tubes are easy to install and make any refrigeration case looks great. Used by major chains and refrigeration specialists, it is linkable with single or double ends.



Features:

- AC 100-277V
- Rated life: 50,000 hours
- CRI>90
- Available in 3000K, 4000K, 5000K.
- Operating temperature: -4° ~ 122°F
- 7 Year Warranty.
- Screw in connection

Direct Connect



"We have had great success with the Kensington line on lighting retrofits in supermarkets and have yet to come across any other bulb that is as durable as the Kensington. We use the Kensington to retrofit reach in doors and open air screen cases we even use them for prep rooms and walk in coolers."

– Norm Furtado, @ Climate Pro's

Ordering Key:

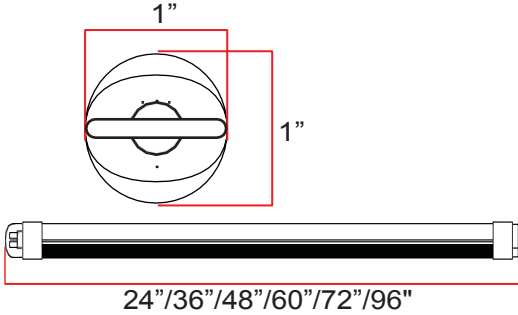
SERIES NUMBER	SIZE	WATTS/LUMENS	CCT	LENS	POWER INPUT/IP VALUE
ILTBKTJM	2F - 2FT	8W - 8W / 930	3K - 3000K	C - CLEAR	1S - 1 SIDE / IP44
	3F - 3FT	12W - 12W / 1,400	4K - 4000K	F - FROSTED	
	4F - 4FT	18W - 18W / 2,100	5K - 5000K		
	5F - 5FT	22W - 22W / 2,600			
	6F - 6FT	30W - 30W / 3,550			
ILTBKTTC	4F - 4FT	15W - 15W / 1,800	3K - 3000K	C - CLEAR	2S - 2 SIDES / IP65
	5F - 5FT	20W - 20W / 2,400	4K - 4000K	F - FROSTED	
	6F - 6FT	22W - 22W / 2,650	5K - 5000K		
	8F - 8FT	30W - 30W / 3,600			

SAMPLE ITEM NUMBER: ILTBKTTC 4F 15W 5K C 2S



Date:	_____
Project:	_____
Price:	_____

Dimensions:



Electrical Data:

- **Input power:** Stays consistent over life
- **Input Voltage:** 100-277V
- **Operating Temperature:** -4F ~ 122F
- **CRI:** >90
- **Life Expectancy:** ~50,000 hours

Installation Instructions:

Retrofit Procedure:

1. Turn OFF power to the fixture at the breaker panel before installation.
2. Remove the fluorescent tubes (A) and dispose of these properly as they may contain mercury.
3. Cut the ballast and/or driver wires nearest to the connector and remove (A).
4. Use mounting holes to install LED tube into the lighting fixture and make AC connections using wire connectors (B).
5. Switch ON power to the fixture at the breaker panel

