



**i-LUMINOSITY**  
LED LIGHTING FIXTURES

Date:	_____
Project:	_____
Price:	_____

# Classon Exit Sign

## Description:

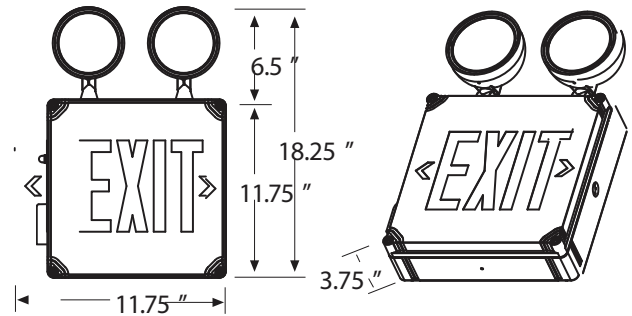
Our Classon Exit Sign will give you an ultra-bright, illumination in either red or green lettering. Equipped with 2 overhead adjustable lights and a 90 minute emergency illumination.

## Features:

- Standard two 5.4W adjustable lighting heads.
- Housing: aluminum.
- Lens: Polycarbonate lens.
- Mounting: Knockouts for back mounting.
- Single Face only.
- UL Listed for wet locations.
- 120-277 VAC
- L70 Lifetime: >50,000 hours.
- 6IN Letters.
- 7 Year Warranty.



## Dimensions:



## Ordering Key:

SERIES NUMBER	SIZE	CCT	FACE	ADDITIONAL OPTIONS
ILXBCSCL	11IN	R- RED G- Green	1 - Single Face	EM - EMERGENCY HTR - HEATER

SAMPLE ITEM NUMBER: ILXBCSCL 11IN G 1 EM

