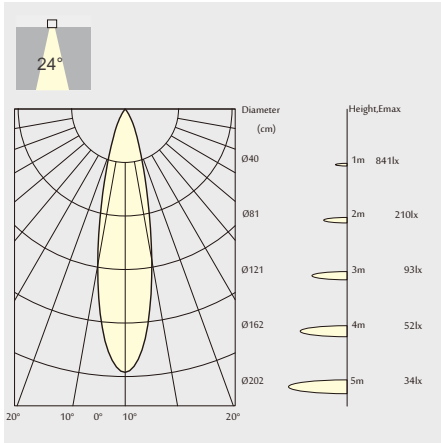


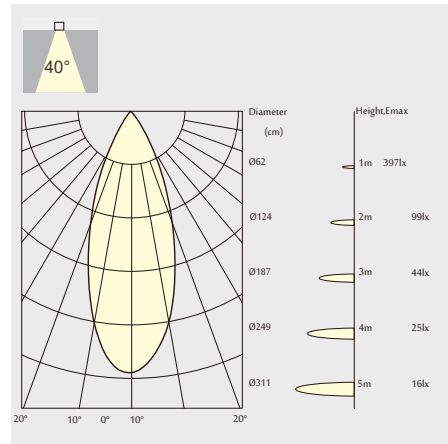
Date:	_____
Project:	_____
Price:	_____

Prospect LED Downlights Photometrics:

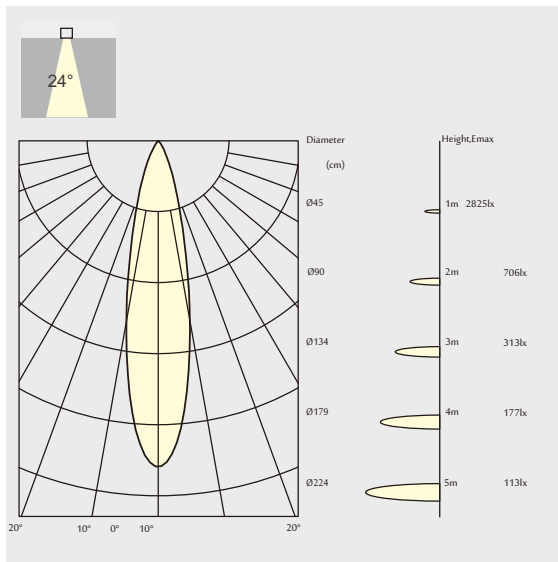
Option 1: 2W, 24°



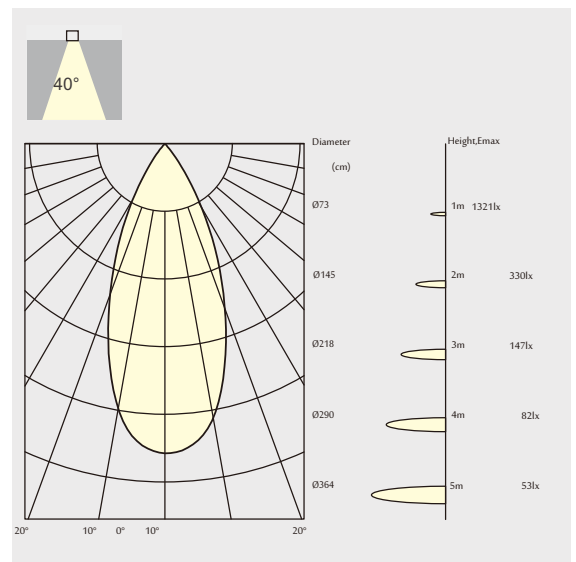
Option 1: 2W, 40°



Option 2: 9W, 24°



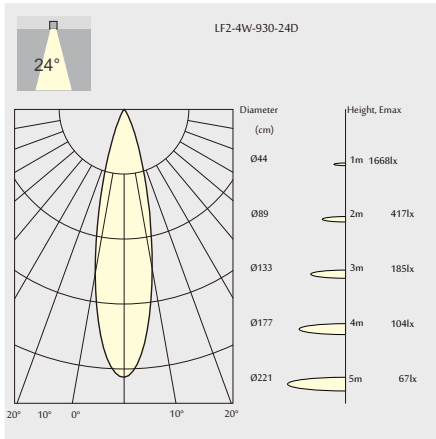
Option 2: 9W, 40°



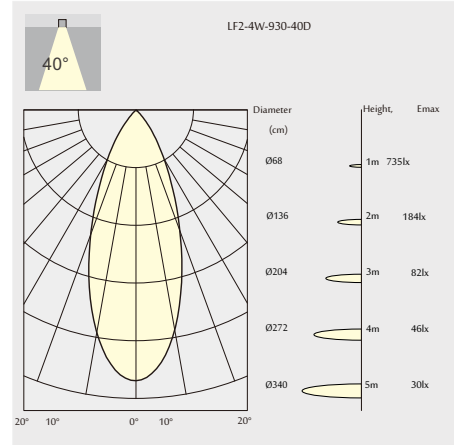
Date:	_____
Project:	_____
Price:	_____

Prospect LED Downlights Photometrics:

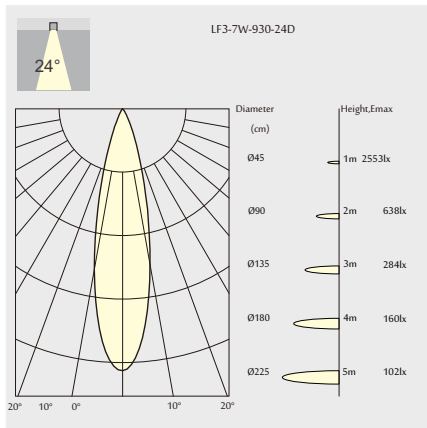
Option 3: 4W, 24°



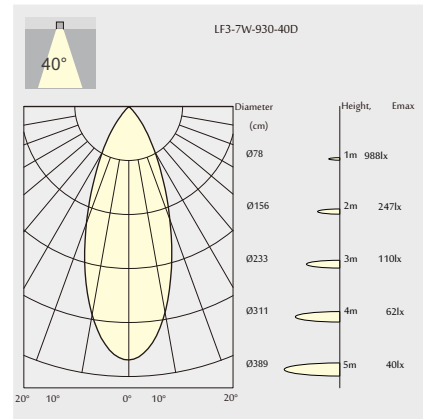
Option 3: 4W, 40°



Option 4: 7W, 24°



Option 4: 7W, 40°

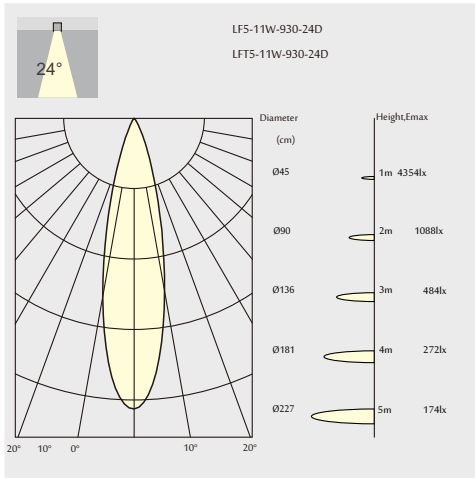




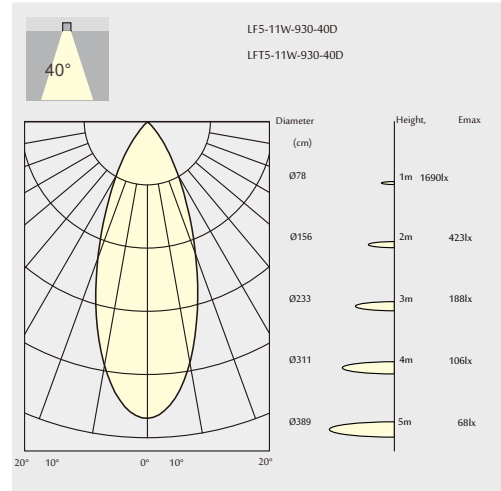
i-LUMINOSITY
LED LIGHTING FIXTURES

Date:	_____
Project:	_____
Price:	_____

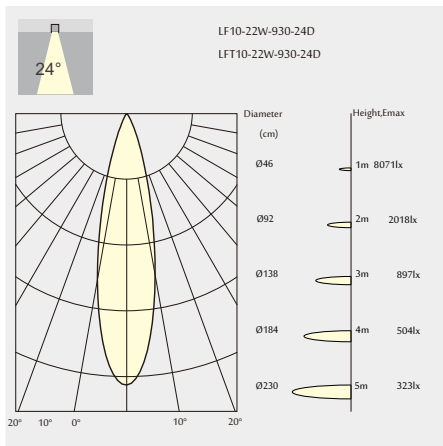
Option 5/6: 11W, 24°



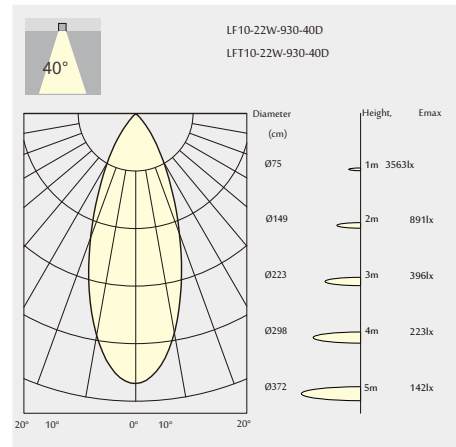
Option 5/6: 11W, 40°



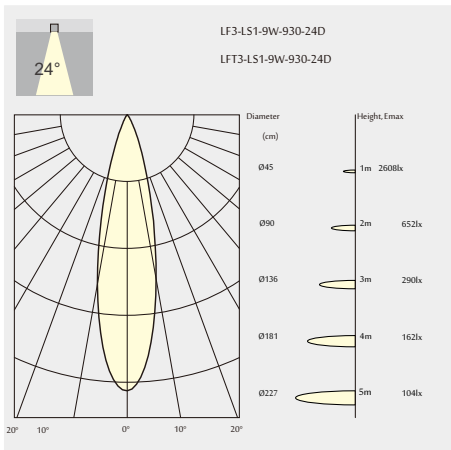
Option 7/8: 22W, 24°



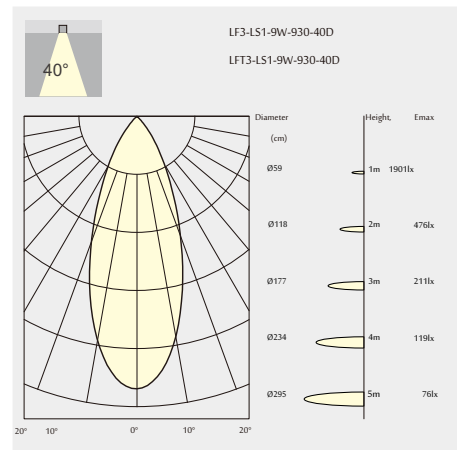
Option 7/8: 22W, 40°



Option 9/10: 9W, 24°



Option 9/10: 9W, 40°

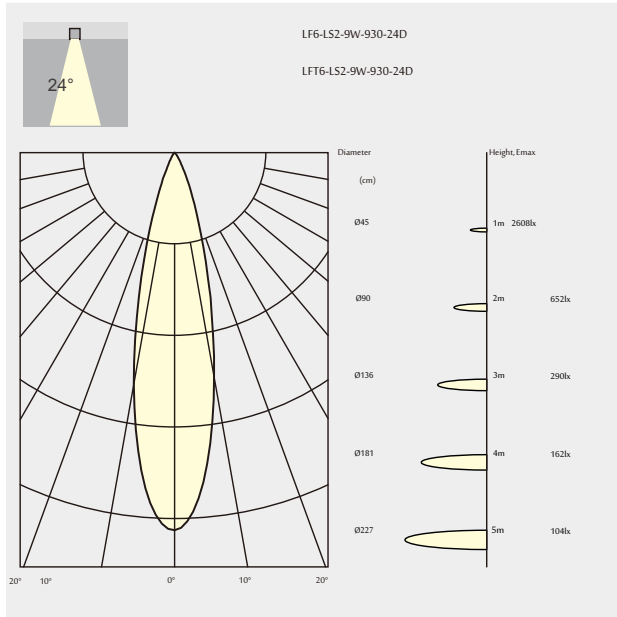




i-LUMINOSITY
LED LIGHTING FIXTURES

Date: _____
Project: _____
Price: _____

Option 11/12: 17W, 24°



Option 11/12: 17W, 40°

