



i-LUMINOSITY
LED LIGHTING FIXTURES

Date:	_____
Project:	_____
Price:	_____

LED Atlantic Dome Downlights:

Description:

Our Atlantic Dome Downlights are a new customizable module in round or square with numerous size options. The array of wattages and sizes make it ideal for offices, lobbies, or retail locations. These downlights are a smart energy saving solution for residential applications.



Dome Options:

Option 0:



- Wattage/ Lumens: 7.5W / 700
11W / 900

• Size: 3IN

• Cutout:



• Beam Angle: 25° or 50°

• Reflector:



Matte



White



Black

• Rated life: 50,000 hours

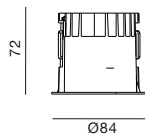
• CRI > 90

• Available in 2700K, 3000K, 4000K.

• Operating temperature: -5F - 104F

• 7 Year Warranty.

Dimensions:



Option 1:



- Wattage/ Lumens: 9W / 1,100
13W / 1,450

• Size: 4IN

• Cutout:



• Beam Angle: 30° or 50°

• Reflector:



Matte



White



Black

• Rated life: 50,000 hours

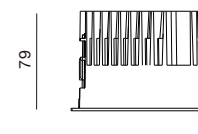
• CRI > 90

• Available in 2700K, 3000K, 4000K.

• Operating temperature: -5F - 104F

• 7 Year Warranty.

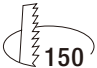
Dimensions:



Date:	_____
Project:	_____
Price:	_____

Option 2:

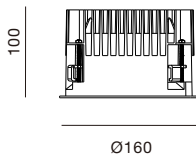


- Wattage/ Lumens: 18W / 2,250
25W / 2,900
- Size: 6IN
- Cutout:  150
- Beam Angle: 30° or 60°
- Reflector




- Rated life: 50,000 hours
- CRI > 90
- Available in 2700K, 3000K, 4000K.
- Operating temperature: -5F - 104F
- 7 Year Warranty.

Dimensions:



Option 3:

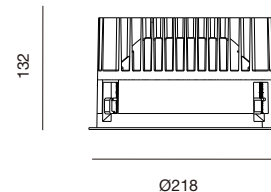


- Wattage/ Lumens: 28W / 3,100
42W / 4,300
56W / 5,200
- Size: 8IN
- Cutout:  200
- Beam Angle: 18°, 30°, or 60°
- Reflector:



- Rated life: 50,000 hours
- CRI > 90
- Available in 2700K, 3000K, 4000K.
- Operating temperature: -5F - 104F
- 7 Year Warranty.

Dimensions:



Date:	_____
Project:	_____
Price:	_____

Option 4:



- Wattage/ Lumens: 7.5W / 700
11W / 900

- Size: 3IN
- Cutout:

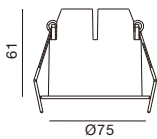


- Beam Angle: 25° or 60°
- Reflector:



- Rated life: 50,000 hours
- CRI > 90
- Available in 2700K, 3000K, 4000K.
- Operating temperature: -5F - 104F
- 7 Year Warranty.

Dimensions:



Option 5:



- Wattage/ Lumens: 9W / 900
13W / 1,300

- Size: 4IN
- Cutout:

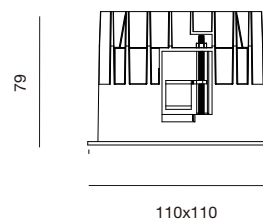


- Beam Angle: 60°
- Reflector:



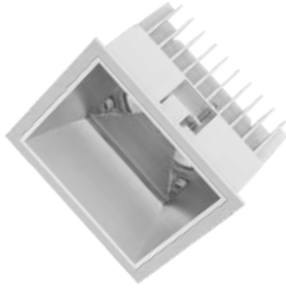
- Rated life: 50,000 hours
- CRI > 90
- Available in 2700K, 3000K, 4000K.
- Operating temperature: -5F - 104F
- 7 Year Warranty.


Dimensions:



Date:	_____
Project:	_____
Price:	_____

Option 6:

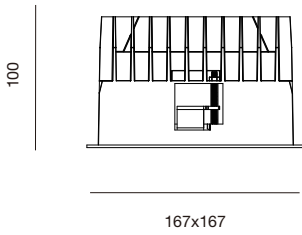


- Wattage/ Lumens: 18W / 1,700
25W / 2,600
- Size: 6IN
- Cutout:  150X150
- Beam Angle: 70°
- Reflector:




- Rated life: 50,000 hours
- CRI>90
- Available in 2700K, 3000K, 4000K.
- Operating temperature: -5F - 104F
- 7 Year Warranty.

Dimensions:



Option 7:

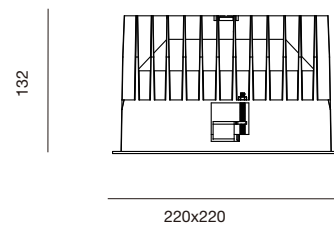


- Wattage/ Lumens: 25W / 2,400
38W / 3,700
- Size: 8IN
- Cutout:  200X200
- Beam Angle: 70°
- Reflector



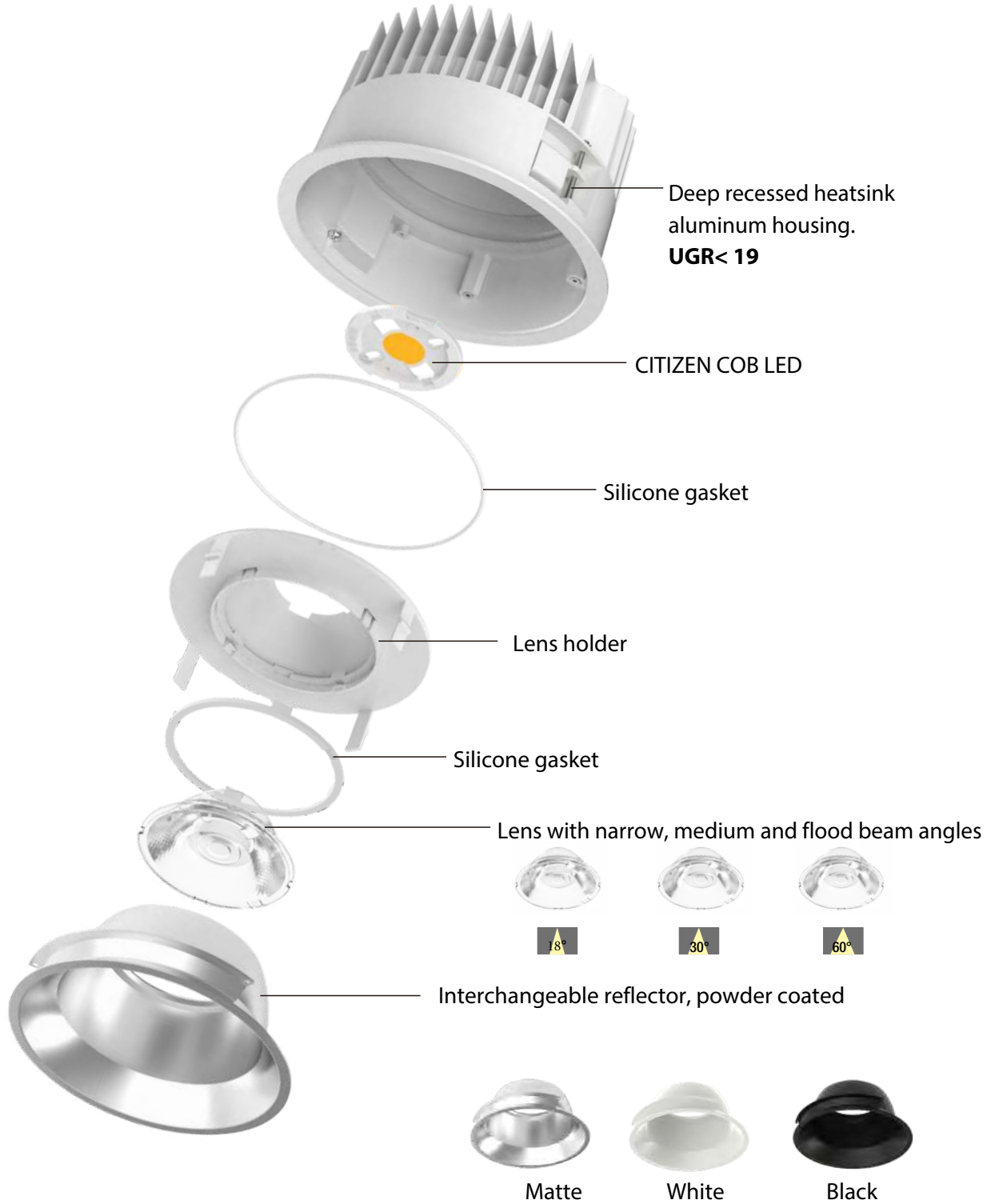
- Rated life: 50,000 hours
- CRI>90
- Available in 2700K, 3000K, 4000K.
- Operating temperature: -5F - 104F
- 7 Year Warranty.

Dimensions:



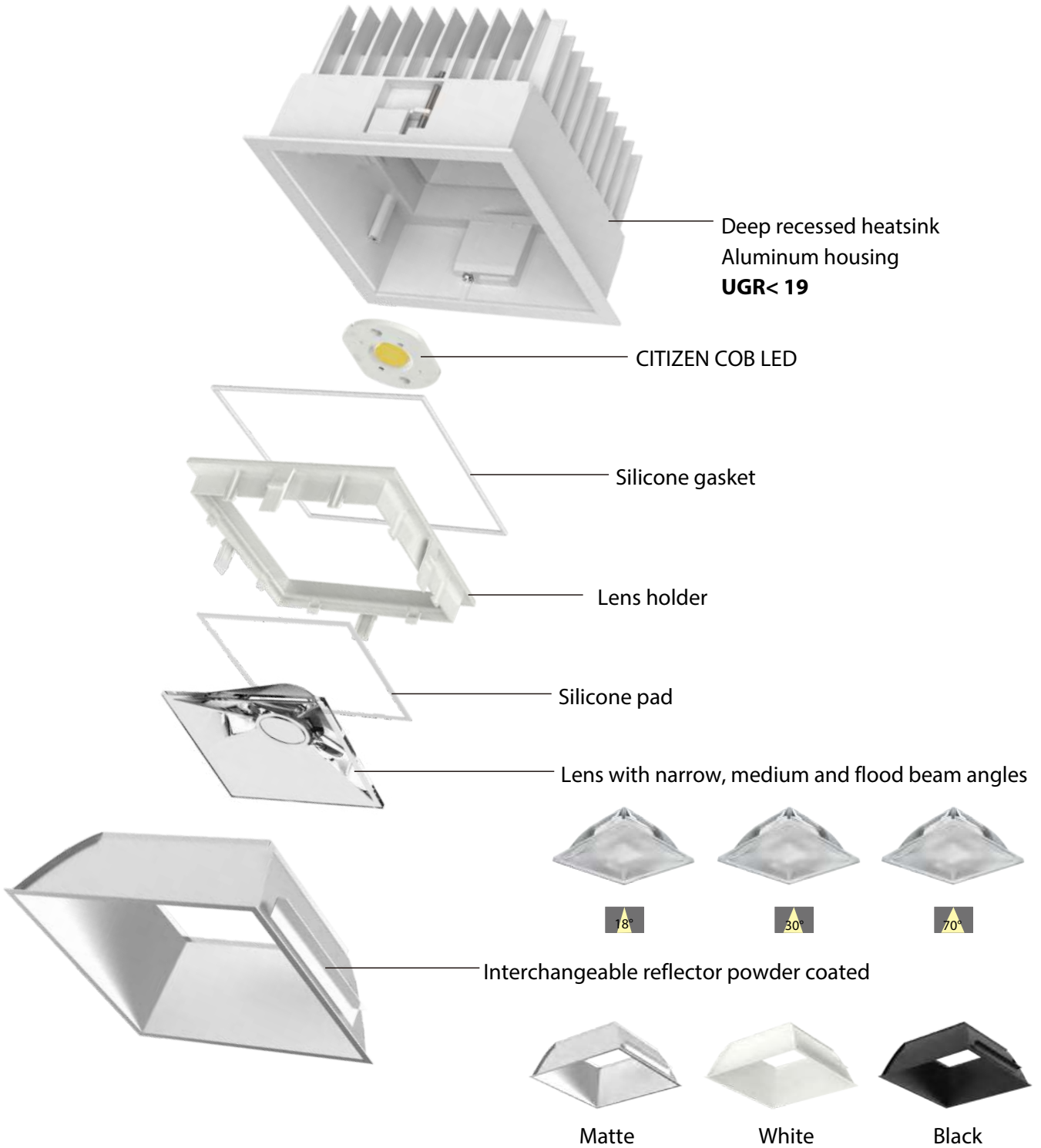
Date:	_____
Project:	_____
Price:	_____

Components:



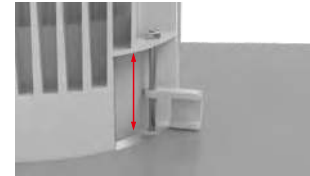
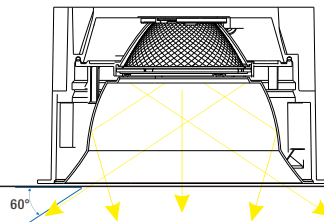
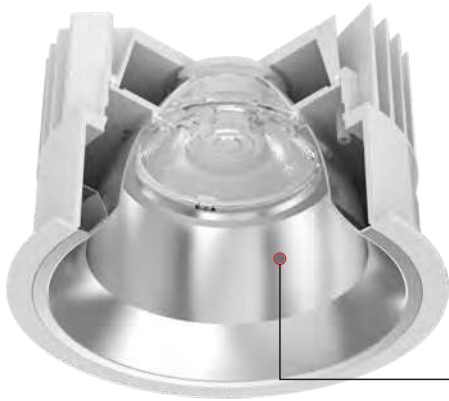
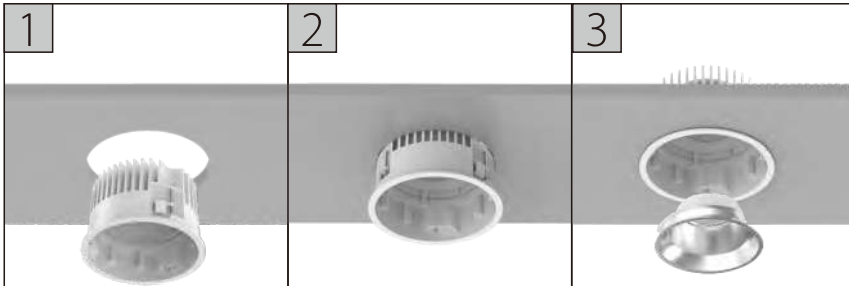
Date:	_____
Project:	_____
Price:	_____

Components:

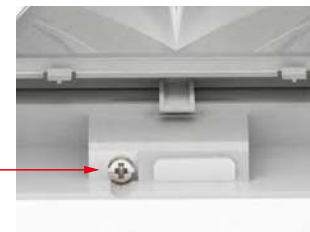
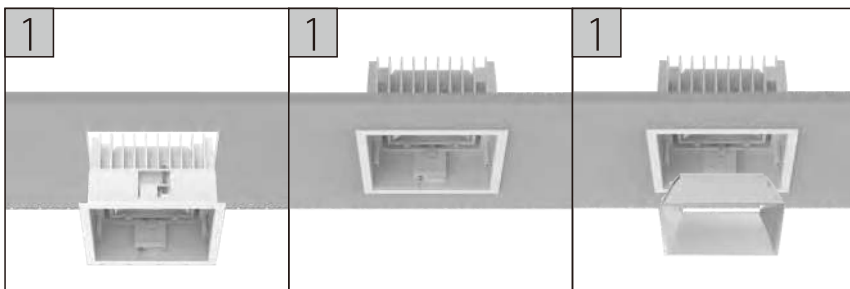


Date: _____
 Project: _____
 Price: _____

Installation Round:

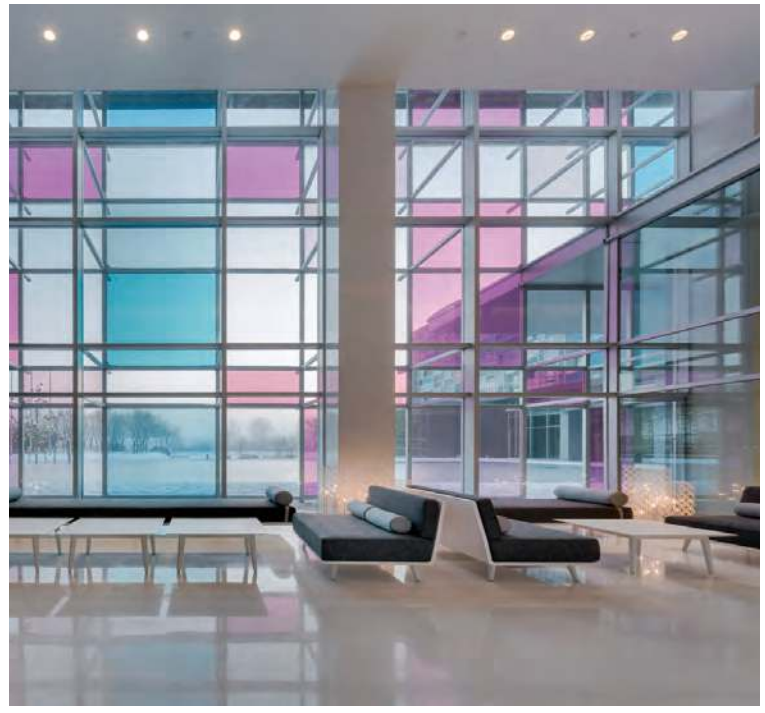
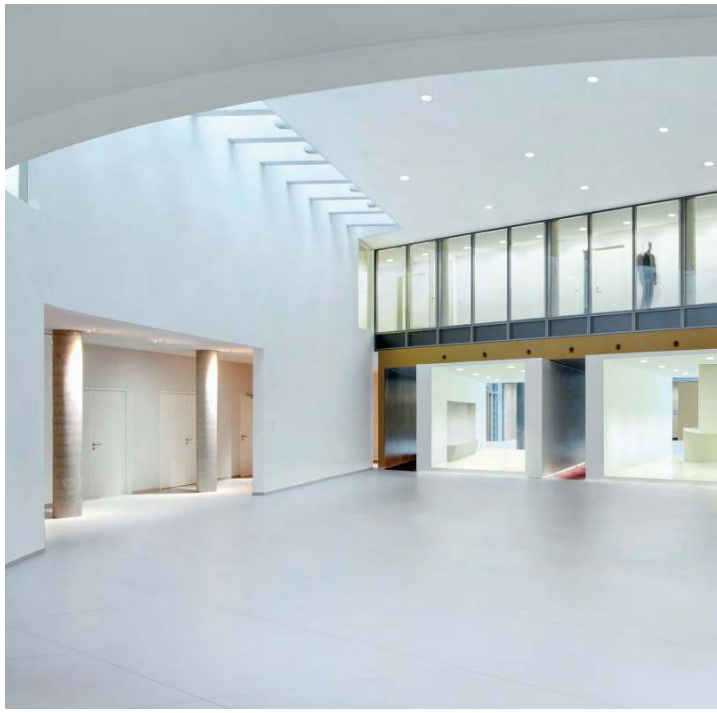
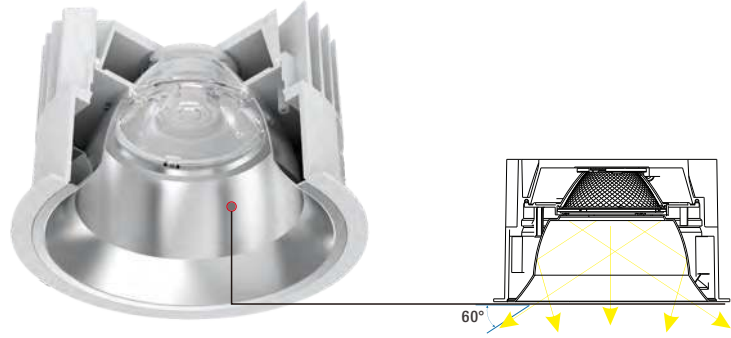
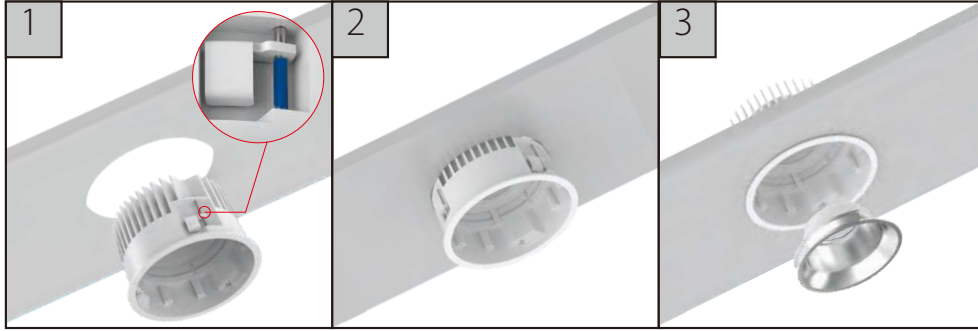


Installation Square:



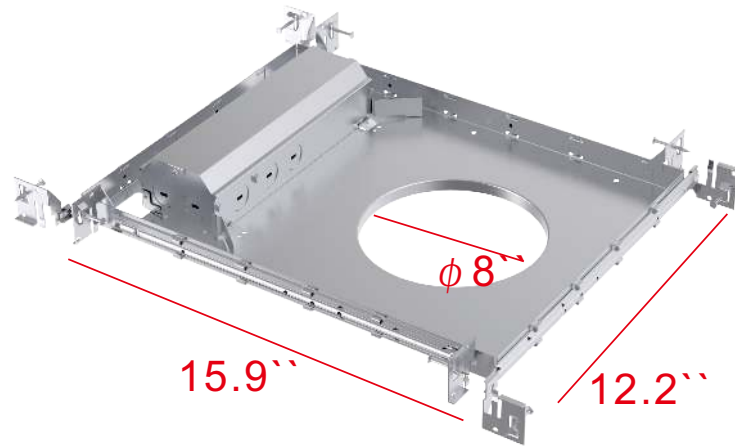
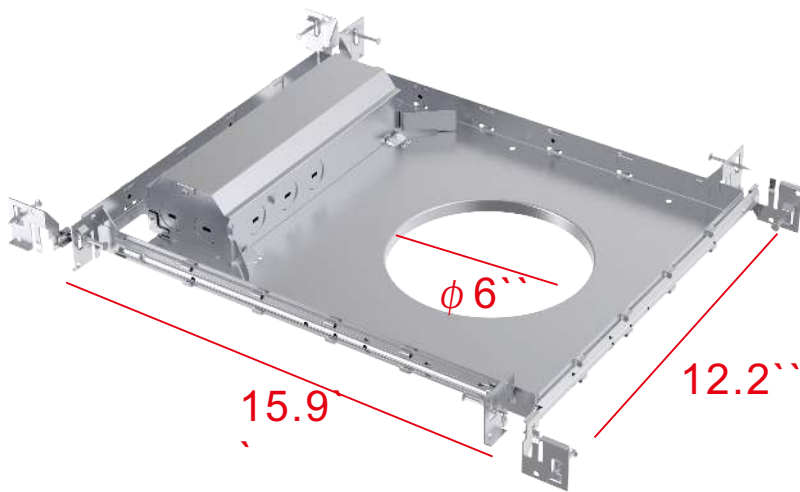
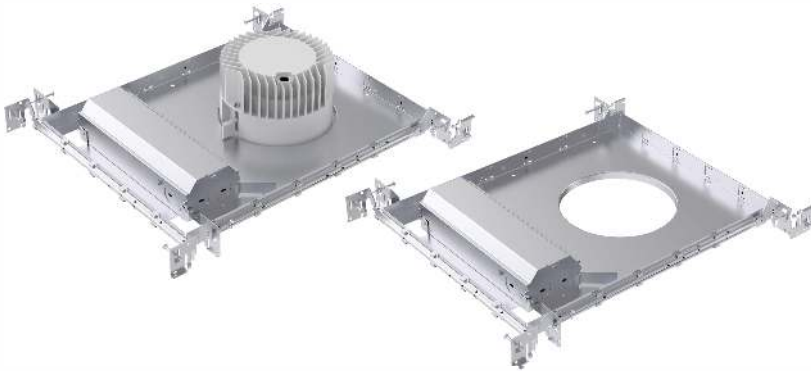
Date:	_____
Project:	_____
Price:	_____

Installation For Sloped Ceilings:



Date:	_____
Project:	_____
Price:	_____

Installation For Unfinished Ceilings (Pre-Install) :
Available only for 6IN & 8IN



Date:	_____
Project:	_____
Price:	_____

Ordering Key:

ILDRADEL

SERIES NUMBER	MODULE	CCT	REFLECTOR	BEAM ANGLE	ADDITIONAL OPTIONS
ILDRADEL	07 - OPTION 0 7.5W	27K - 2700K	M - MATTE	18 - 18°	DM - 0-10V DIMMING
	01 - OPTION 0 11W	3K - 3000K	B - BLACK	25 - 25°	EM - EMERGENCY
	19 - OPTION 1 9W	4K - 4000K	W - WHITE	30 - 30°	SL - SLOPED CEILING
	13 - OPTION 1 13W			50 - 50°	PI - PRE-INSTALL
	18 - OPTION 2 18W			60 - 60°	
	25 - OPTION 2 25W			70 - 70°	
	28 - OPTION 3 28W				
	42 - OPTION 3 42W				
	56 - OPTION 3 56W				
	47 - OPTION 4 7.5W				
	41 - OPTION 4 11W				
	59 - OPTION 5 9W				
	53 - OPTION 5 13W				
	68 - OPTION 6 18W				
	65 - OPTION 6 25W				
	75 - OPTION 7 25W				
78 - OPTION 7 38W					

SAMPLE ITEM NUMBER: ILDRADEL 13 3K B 30 DM

Electrical Data:

- **Input Power:** Stays consistent over life.
- **Input Voltage:** 120-277 VAC
- **IP:** IP54
- **CRI:** >90
- **L70 Lifetime:** >50,000 hours.

Optical System:

- A unique combination of reflective & refractive optical components achieves a uniform, comfortable look while eliminating pixelation & color fringing.
- Parts work in unison to optimize light distribution, balancing the high delivery of high illuminance levels on horizontal surfaces with an ideal amount of light on walls and vertical surfaces, increasing perception of spaciousness.

Controls:

- This LED fixture can be equipped with 0-10V dimming that works universally with any standard 0-10V control or dimmer.

Construction:

- **Construction:** Deep recessed heatsink aluminum housing.
- **Finish:** Powder coated inside reflectors in matte, white, or black.
- **Lens:** Narrow, medium, or flood, beam angles.
- **Glare:** Unified glare rating (UGR) <19 making it easy on the eyes in offices or work settings.

