



i-LUMINOSITY
LED LIGHTING FIXTURES

Date:	_____
Project:	_____
Price:	_____

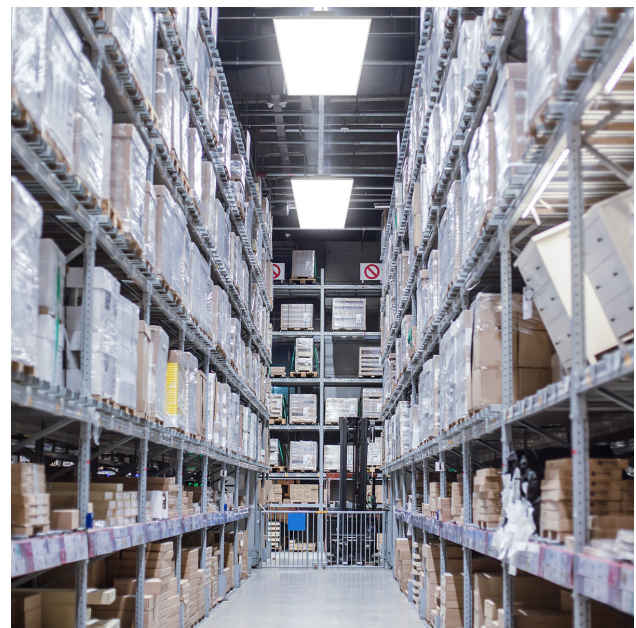
LED Woodside High Bay:

Description:

Our high-power, LED Woodside High Bay is energy efficient with a high lumen output. This fixture is designed to illuminate a wide variety of settings, including commercial, industrial and retail settings such as warehouses, manufacturing plants, sporting venues and big-box retailers. With a painted, steel housing, this high bay provides high levels of durability and performance.

Features:

- Mounting options: chain, surface, pendant, cable mount.
- 140 LM/W
- 0-10V dimmable option.
- Lighting control options available.
- Construction: Die-cast aluminum housing.
- Finish: Painted steel housing.
- L70 Lifetime: >122,000 hours
- CRI >90
- Available color options: 4000K or 5000K.
- Operating temperature: -40°F ~ 122°F
- AC 120-277V
- 7 Year Warranty.



Applications:

- Warehouse
- Sporting Events
- Industrial
- Manufacturing

r

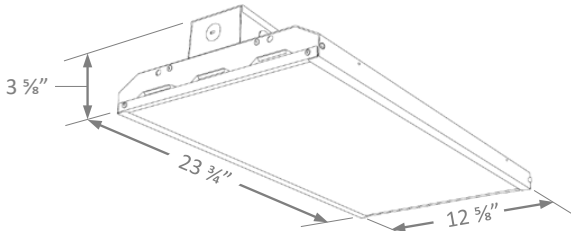




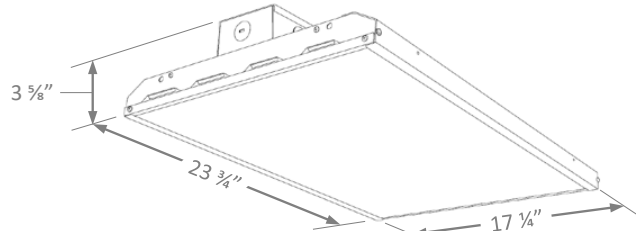
i-LUMINOSITY
LED LIGHTING FIXTURES

Date:	_____
Project:	_____
Price:	_____

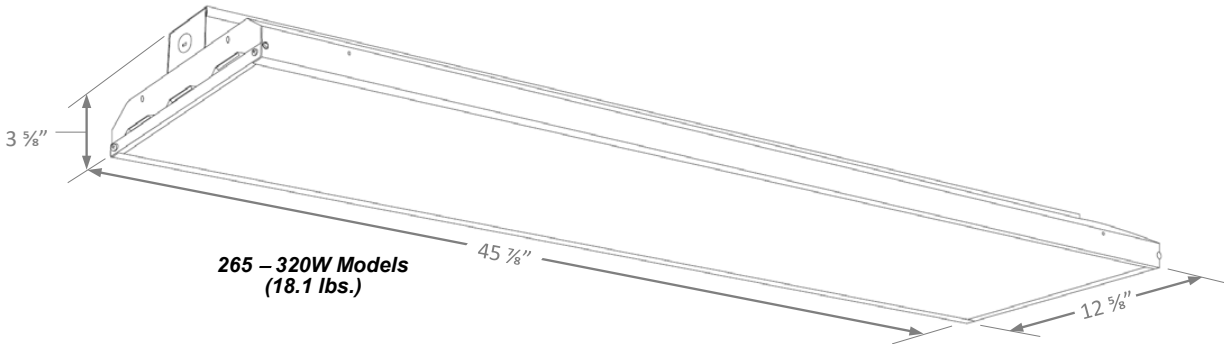
Dimensions:



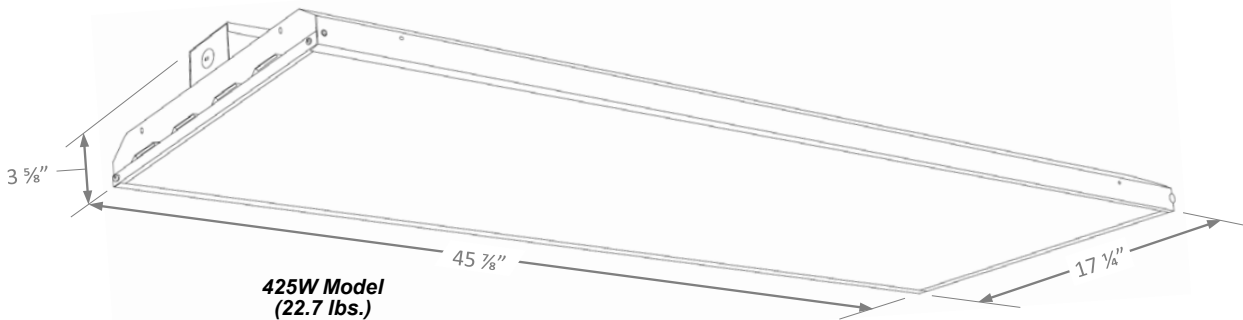
90 – 180W Models
(9.9 – 11.0 lbs.)



215W Model
(14.0 lbs.)

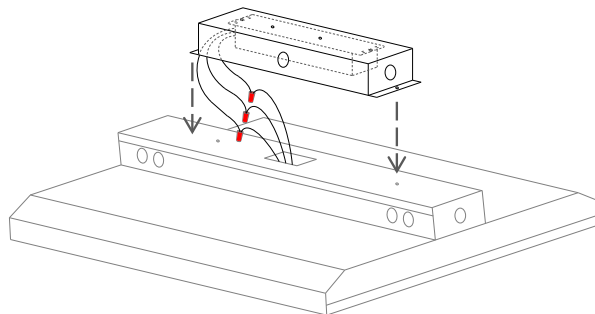


265 – 320W Models
(18.1 lbs.)



425W Model
(22.7 lbs.)

- Attach transformer to cover box.
- Make wiring connections.
- Attach transformer cover box assembly to luminaire driver enclosure.



Date:	_____
Project:	_____
Price:	_____

Ordering Key:

SERIES NUMBER	WATTS/ LUMENS*	CCT	MOUNTING	ADDITIONAL OPTIONS
ILHBWSCL	2F90 - 87W/12,394	4 - 4000K	CM - CHAIN MOUNT	DM - 0-10V DIMMING
	2F135 - 132W/18,564	5 - 5000K	SM - SURFACE MOUNT	WG - WIRE GUARD
	2F180 - 175W/24,603		PM - PENDANT MOUNT	S - SENSOR
	2F215 - 213W/30,356		CB - CABLE MOUNT	EM - EMERGENCY BACKUP
	4F265 - 267W/37,996			C - CLEAR LENS
	4F320 - 320W/44,460			D - DIFFUSED LENS
	4F425 - 428W/60,629			

SAMPLE ITEM NUMBER: ILHBWSCL 2F90 5 SM DM D

*Lumen test in 5000K

Electrical Data:

- **Input power:** Stays consistent over life
- **Input Voltage:** 120-277VAC
- **Operating Temperature:** -40°F ~ 122°F
- **CRI:** >90
- **L70 Lifetime:** >122,000 hours

Construction:

- **Construction:** Deep recessed heatsink aluminum housing.
- **Finish:** Painted steel housing.
- **Lens:** Clear or diffused.

Controls:

- This LED fixture can be equipped with 0-10V dimming that works universally with any standard 0-10V control or dimmer.

Optical System:

- A unique combination of reflective & refractive optical components achieves a uniform, comfortable look while eliminating pixelation & color fringing.
- Parts work in unison to optimize light distribution, balancing the high delivery of high illuminance levels on horizontal surfaces with an ideal amount of light on walls and vertical surfaces, increasing perception of spaciousness.

Mounting Options:

- **Chain Mounting:** Chain mounting with V-hooks is standard.
- **Surface Mounting:** Optional surface mounting kits provides attachment to flat ceilings.
- **Pendant Mounting:** Optional pendant mounting kits provides pendant attachment to junction boxes.
- **Cable Mounting:** Optional cable mounting kits provide suspension at two lengths (i.e., 3 & 5 meters).

