



i-LUMINOSITY
LED LIGHTING FIXTURES

Date:	_____
Project:	_____
Price:	_____

LED Atlantic Dome Downlights:

Description:

Our Atlantic Dome Downlights are a new customizable module in round or square with numerous size options. The array of wattages and sizes make it ideal for offices, lobbies, or retail locations. These downlights are a smart energy saving solution for residential applications.




Dome Options:

Option 0:



- Wattage/ Lumens: 7.5W / 700
11W / 900

• Size: 3IN

• Cutout: 

• Beam Angle: 25° or 50°

• Reflector:



Matte



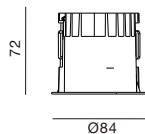
White



Black

- Rated life: 50,000 hours
- CRI > 90
- Available in 2700K, 3000K, 4000K.
- Operating temperature: -5F - 104F
- 7 Year Warranty.

Dimensions:



Option 1:



- Wattage/ Lumens: 9W / 1,100
13W / 1,450

• Size: 4IN

• Cutout: 

• Beam Angle: 30° or 50°

• Reflector:



Matte



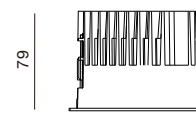
White



Black

- Rated life: 50,000 hours
- CRI > 90
- Available in 2700K, 3000K, 4000K.
- Operating temperature: -5F - 104F
- 7 Year Warranty.

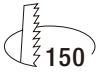
Dimensions:



Date:	_____
Project:	_____
Price:	_____

Option 2:

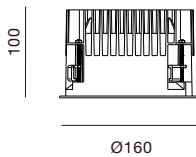


- Wattage/ Lumens: 18W / 2,250
25W / 2,900
- Size: 6IN
- Cutout:  150
- Beam Angle: 30° or 60°
- Reflector




- Rated life: 50,000 hours
- CRI > 90
- Available in 2700K, 3000K, 4000K.
- Operating temperature: -5F - 104F
- 7 Year Warranty.

Dimensions:



Option 3:

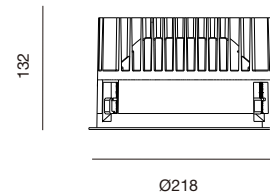


- Wattage/ Lumens: 25W / 2,800
38W / 3,900
52W / 4,800
- Size: 8IN
- Cutout:  200
- Beam Angle: 18°, 30°, or 60°
- Reflector:



- Rated life: 50,000 hours
- CRI > 90
- Available in 2700K, 3000K, 4000K.
- Operating temperature: -5F - 104F
- 7 Year Warranty.

Dimensions:



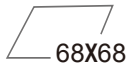
Date:	_____
Project:	_____
Price:	_____

Option 4:



- Wattage/ Lumens: 7.5W / 700
11W / 900

- Size: 3IN
- Cutout:

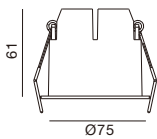


- Beam Angle: 25° or 60°
- Reflector:



- Rated life: 50,000 hours
- CRI > 90
- Available in 2700K, 3000K, 4000K.
- Operating temperature: -5F - 104F
- 7 Year Warranty.

Dimensions:



Option 5:



- Wattage/ Lumens: 9W / 900
13W / 1,300

- Size: 4IN
- Cutout:

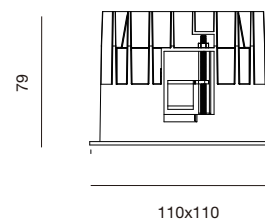


- Beam Angle: 60°
- Reflector:



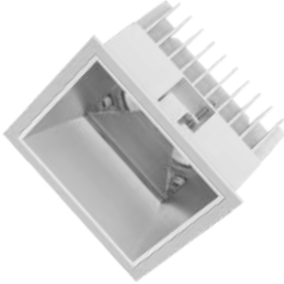
- Rated life: 50,000 hours
- CRI > 90
- Available in 2700K, 3000K, 4000K.
- Operating temperature: -5F - 104F
- 7 Year Warranty.

Dimensions:



Date:	_____
Project:	_____
Price:	_____

Option 6:



- Wattage/ Lumens: 18W / 1,700
25W / 2,600

- Size: 6IN
- Cutout:

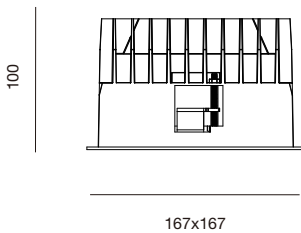


- Beam Angle: 70°
- Reflector:



- Rated life: 50,000 hours
- CRI>90
- Available in 2700K, 3000K, 4000K.
- Operating temperature: -5F - 104F
- 7 Year Warranty.

Dimensions:



Option 7:



- Wattage/ Lumens: 25W / 2,400
38W / 3,700

- Size: 8IN
- Cutout:

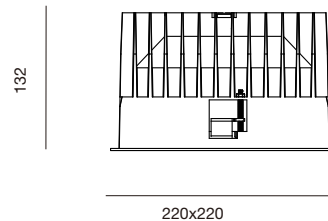


- Beam Angle: 70°
- Reflector



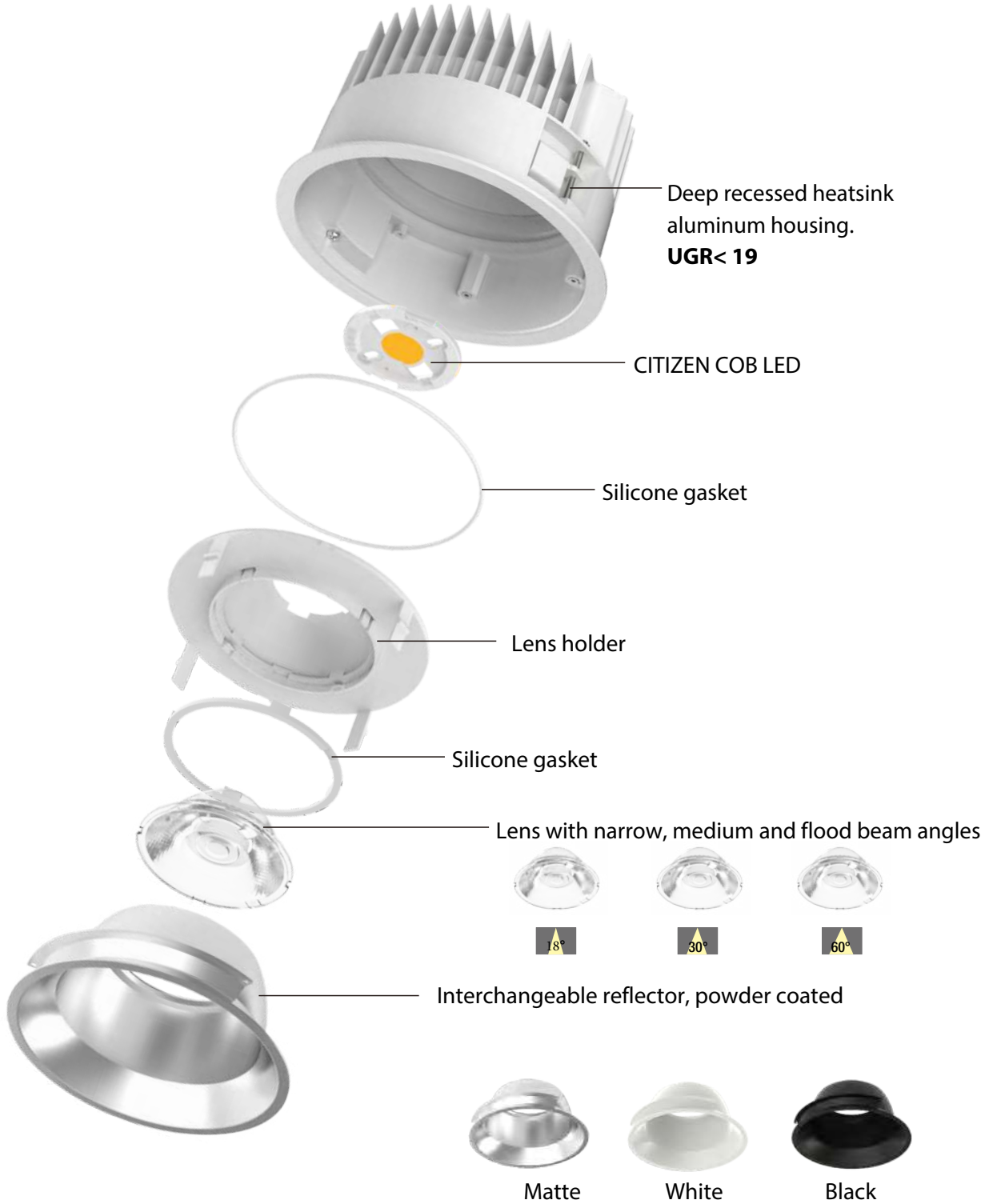
- Rated life: 50,000 hours
- CRI>90
- Available in 2700K, 3000K, 4000K.
- Operating temperature: -5F - 104F
- 7 Year Warranty.

Dimensions:



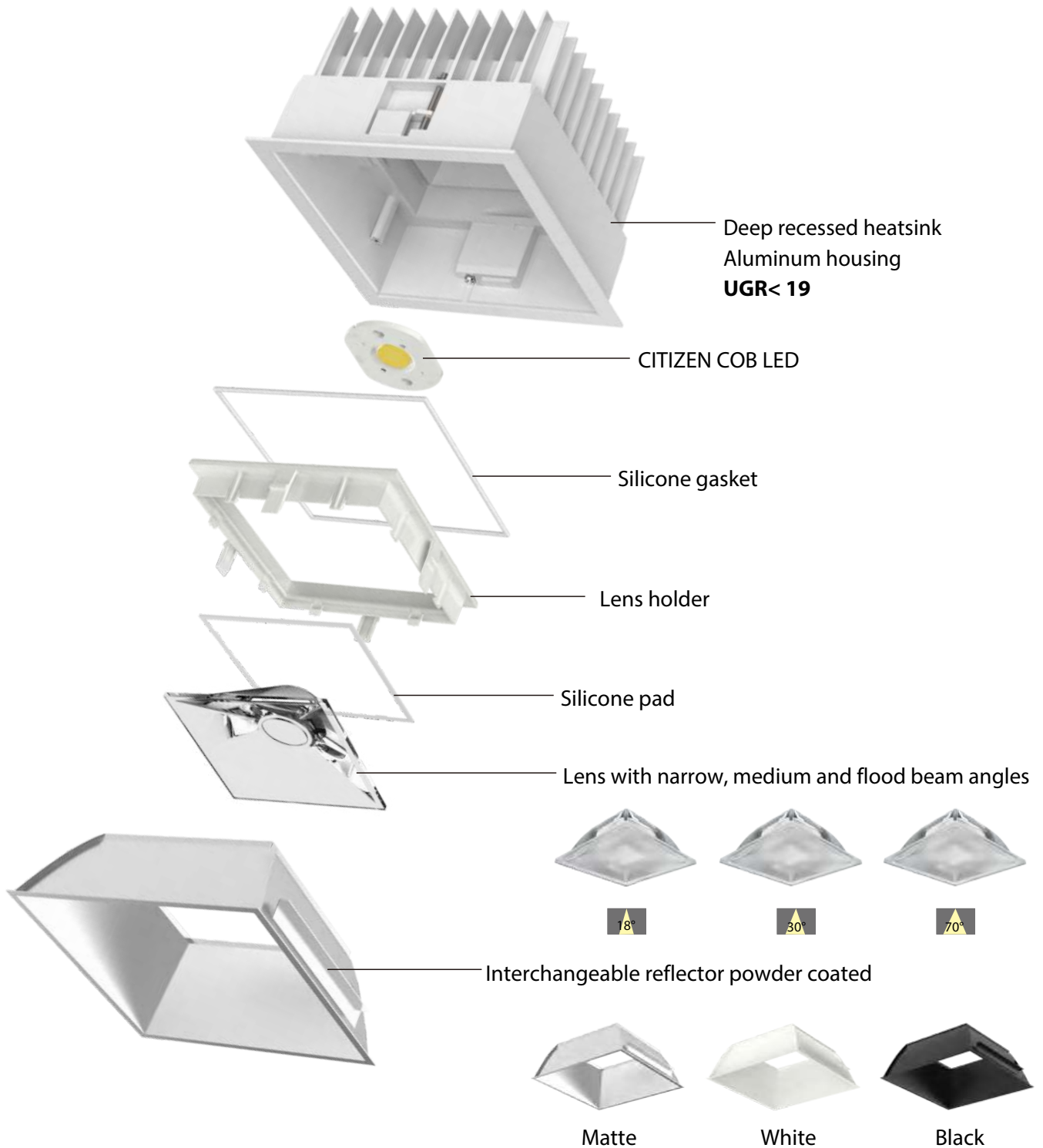
Date:	_____
Project:	_____
Price:	_____

Components:



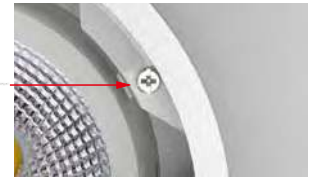
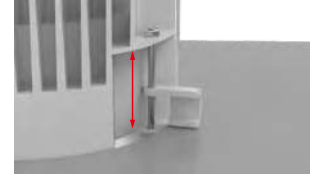
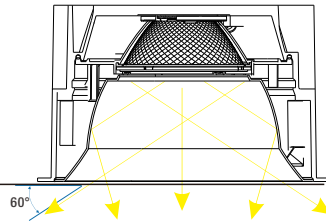
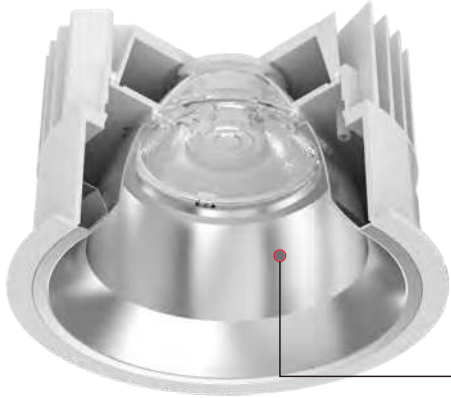
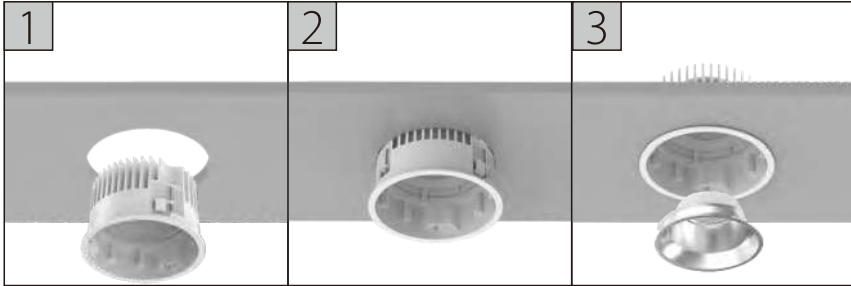
Date:	_____
Project:	_____
Price:	_____

Components:

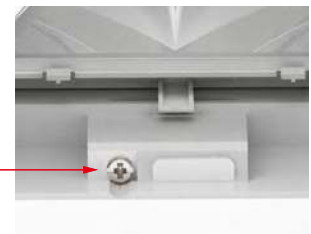
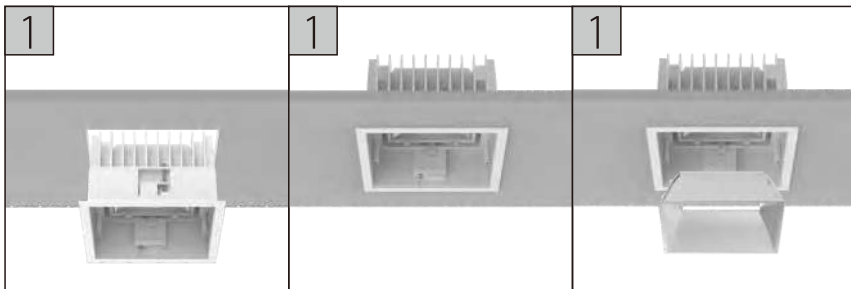


Date: _____
 Project: _____
 Price: _____

Installation Round:

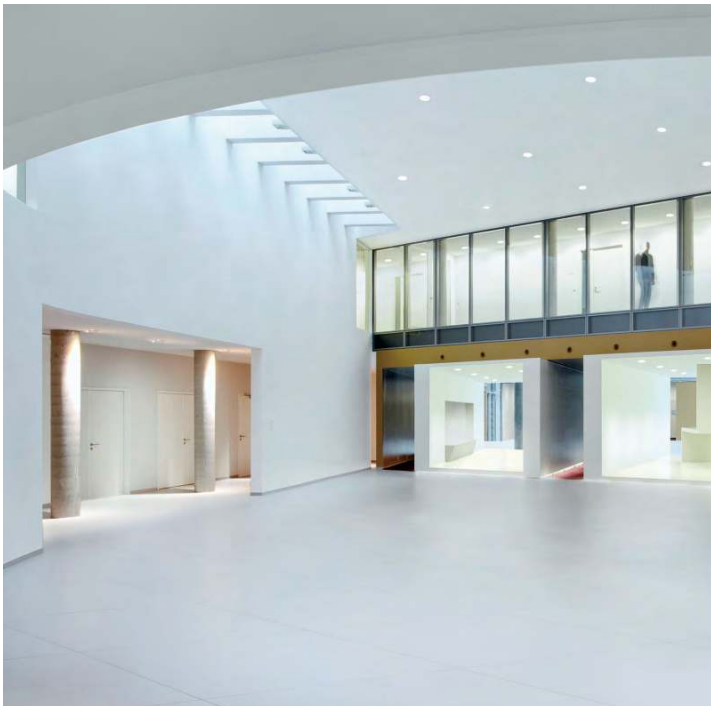
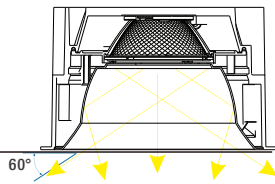
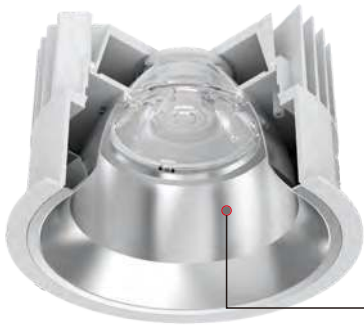
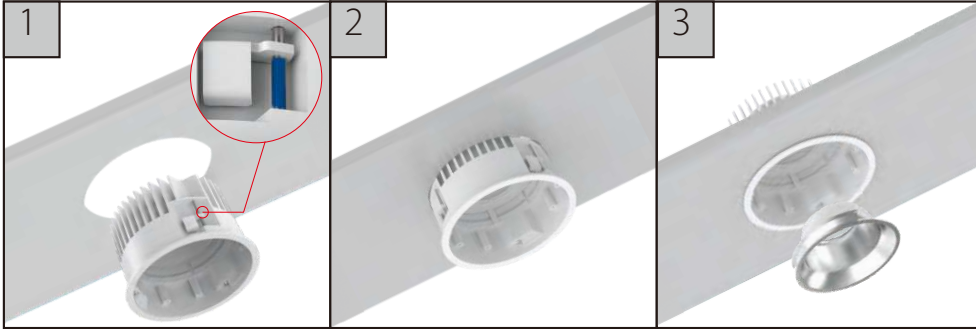


Installation Square:



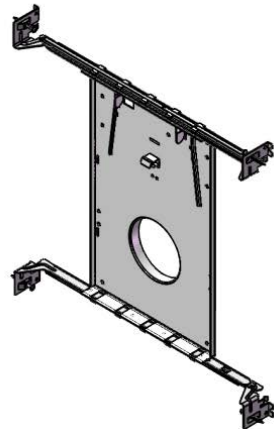
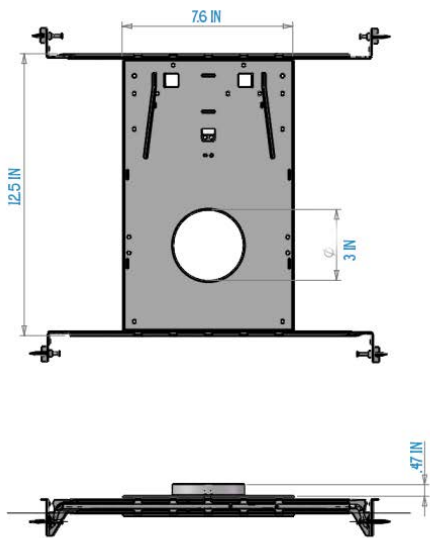
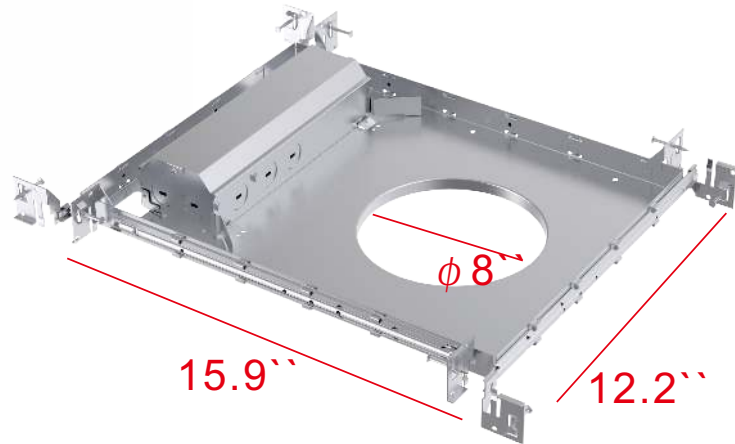
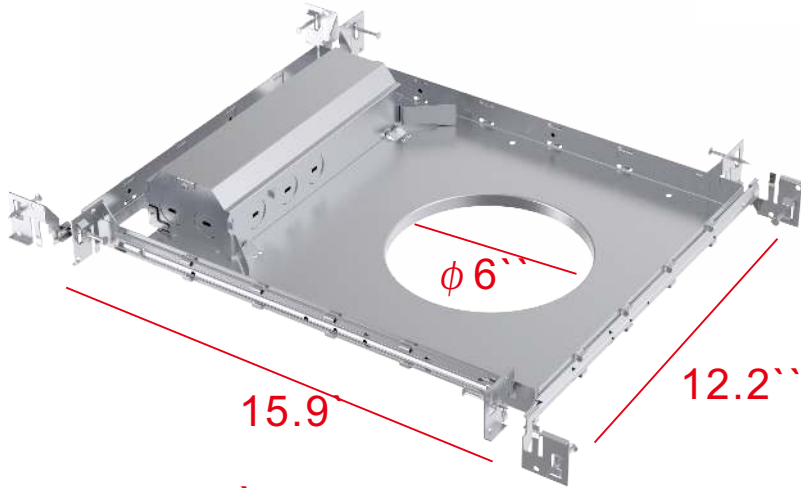
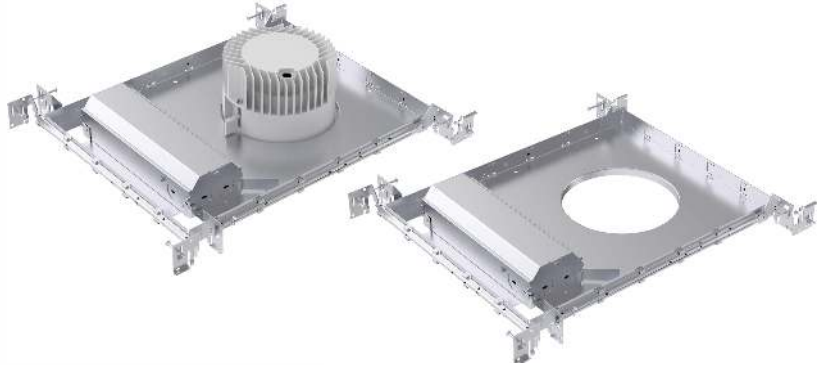
Date:	_____
Project:	_____
Price:	_____

Installation For Sloped Ceilings:



Date:	_____
Project:	_____
Price:	_____

Installation For Unfinished Ceilings (Pre-Install) :
Available for 3IN, 6IN & 8IN



Date:	_____
Project:	_____
Price:	_____

Ordering Key:

ILDLADEL

SERIES NUMBER	SIZE	SHAPE	WATTAGE	CCT	TRIM FINISH	REFLECTOR FINISH	BEAM ANGLE	ADDITIONAL OPTIONS
ILDLADEL	3 - 3IN	SQ - SQUARE	7.5W - 7.5W	27K - 2700K	B - BLACK	M - MATTE	18 - 18°	DM - 1-10V DIMMING
	4 - 4IN	RD - ROUND	9W - 9W	3K - 3000K	W - WHITE	B - BLACK	25 - 25°	DD - DALI DIMMING
	6 - 6IN		11W - 11W	4K - 4000K		W - WHITE	30 - 30°	TD - TRIAC DIMMING
	8 - 8IN		13W - 13W				50 - 50°	PI - PRE-INSTALL
			18W - 18W				60 - 60°	SL - SLOPED CEILING
			25W - 25W				70 - 70°	EM - EMERGENCY
			38W - 38W					
			52W - 52W					

SAMPLE ITEM NUMBER: ILDLADEL 3 RD 9W 3K W W 25

Electrical Data:

- **Input Power:** Stays consistent over life.
- **Input Voltage:** 120-277 VAC
- **IP:** IP54
- **CRI:** >90
- **L70 Lifetime:** >50,000 hours.

Optical System:

- A unique combination of reflective & refractive optical components achieves a uniform, comfortable look while eliminating pixelation & color fringing.
- Parts work in unison to optimize light distribution, balancing the high delivery of high illuminance levels on horizontal surfaces with an ideal amount of light on walls and vertical surfaces, increasing perception of spaciousness.

Controls:

- This LED fixture can be equipped with 0-10V dimming that works universally with any standard 0-10V control or dimmer.

Construction:

- **Construction:** Deep recessed heatsink aluminum housing.
- **Finish:** Powder coated inside reflectors in matte, white, or black.
- **Lens:** Narrow, medium, or flood, beam angles.
- **Glare:** Unified glare rating (UGR) <19 making it easy on the eyes in offices or work settings.

