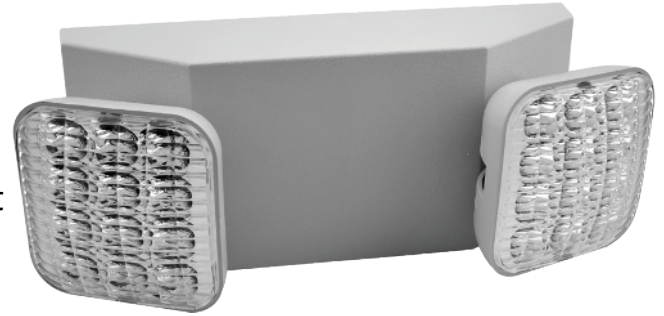


Date:	_____
Project:	_____
Price:	_____

Cozine Emergency Unit

Description:

Our Cozine Emergency Unit is a practical solution for your emergency lighting needs. Equipped with a push to test button and a universal K/O pattern on the back plate makes it perfect for any indoor or damp location.



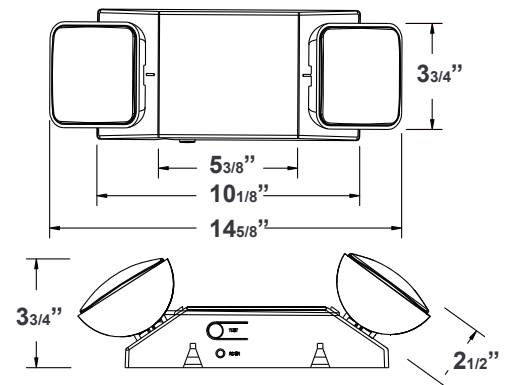
Features:

- Wattage: 1W per head.
- Charge rate/power "ON" LED indicator light and push to test switch for mandated code compliance testing.
- Housing: White or Black thermoplastic.
- Mounting: Universal K/O pattern on back plate for wall mount.
- 120-277VAC
- UL listed for damp locations.
- L₇₀ Lifetime: >50,000 hours.
- 7 Year Warranty.

Additional Options:

- SDT - Self Diagnostic Testing.
- HL - High Lumen; 12-LED heads provide increased center-to-center spacing (1.5W per head).
- RC - Remote Capacity

Dimensions:



Date:	_____
Project:	_____
Price:	_____

Ordering Key:

SERIES NUMBER	VOLTAGE	FINISH	ADDITIONAL OPTIONS
ILBHCECL	120- 120V	B - BLACK	HL - HIGH LUMEN
	277- 277V	WH - WHITE	SDT - SELF DIAGNOSTIC
	208- 208V		RC - REMOTE CAPACITY
	220- 220V		
	240- 240V		

SAMPLE ITEM NUMBER: ILBHCECL 277 WH SDT

Electrical Information:

SERIES NUMBER	INPUT WATTS (W)					INPUT AMPS (A)				
	120V	277V	208V	220V	240V	120V	277V	208V	220V	240V
ILEMCECL	1.8	1.8	2.6	3.5	3.1	0.022	0.010	0.024	0.029	0.025
ILEMCECL - SDT	1.6	1.6	-	-	-	0.020	0.010	-	-	-

Center-To-Center Spacing Guidelines:

	UNIT LOCATION LIGHT SOURCE															
1'	0.2	0.3	0.5	0.4	0.4	0.5	0.6	0.8	1	0.8	0.9	0.8	0.4	0.2	0.2	
2'	0.3	0.5	0.7	0.8	0.9	0.8	0.9	1	1.1	1.4	1.1	0.8	0.5	0.3	0.2	
3'	0.4	0.7	1	1	1.1	1.1	1.1	1.3	1.4	1.1	0.9	0.9	0.7	0.5	0.2	
4'	0.5	0.7	0.9	1.1	1.2	1.2	1	1.1	1.1	1	1.1	0.8	0.6	0.3	0.2	
5'	0.5	0.7	0.8	0.8	1	1.1	0.8	0.8	1	0.9	0.6	0.5	0.4	0.3	0.2	
6'	0.4	0.5	0.7	0.7	0.8	0.8	0.6	0.5	0.6	0.5	0.4	0.4	0.3	0.2	0.2	
	7	6	5	4	3	2	1	0	1	2	3	4	5	6	7	8

Meets NFPA 101 Requirements for: 10' center-to-center spacing - 3' path of egress 1' from wall - 7 1/2' mounting height.

