

| | |
|----------|-------|
| Date: | _____ |
| Project: | _____ |
| Price: | _____ |

LED Windsor Shoebox Fixture:

Description:

Our high-power, LED Windsor Shoebox Fixture is energy efficient with a high lumen output and a CRI >90. Featuring a die cast aluminum housing it is available in 4000K or 5000K CCT, with a 0-10V dimming option. An IP66 rated fixture, perfect for the outdoors.

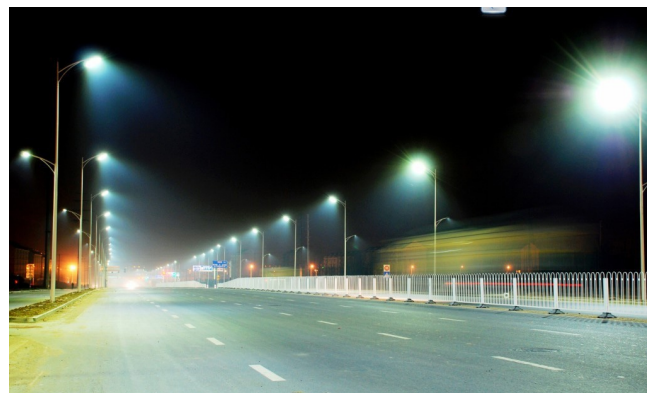


Features:

- Mounting options: Slipfitter, Trunnion, or Surface mounted.
- Easy installation
- 0-10V dimmable option.
- Lighting control options available.
- AC 100-277V or 347V/ 480V.
- L70 Lifetime: >50,000 hours
- CRI >90
- Available color options: 4000K or 5000K
- IP Rating: IP66 - Wet locations.
- Operating temperature: -5°F ~ 122°F
- Finish option: Bronze, Black, White, or Silver.
- 7 Year Warranty.
- Optical Systems: Type II, Type III, Type IV, Type V

Applications:

- Outdoor courts
- Parking lots
- Parking garages
- Playgrounds
- Parks
- Road lamp



| | |
|----------|-------|
| Date: | _____ |
| Project: | _____ |
| Price: | _____ |

Ordering Key:

| SERIES NUMBER | WATTS/ LUMENS | CCT | FINISH | OPTICAL SYSTEM | ADDITIONAL OPTIONS |
|---------------|---------------|-----------|-------------|----------------|------------------------|
| ILSBWSWD | 150W - 21,000 | 4 - 4000K | BR - BRONZE | II- TYPE II | DM - 0-10V DIMMING |
| | 200W - 27,000 | 5 - 5000K | W - WHITE | III- TYPE III | TM - TRUNNION MOUNT |
| | | | BL - BLACK | IV - TYPE IV | SM - SLIPFITTER MOUNT |
| | | | S - SILVER | V - TYPE V | RP - ROUND POLE MOUNT |
| | | | | | SP - SQUARE POLE MOUNT |
| | | | | | PH - PHOTOCELL |
| | | | | | MS - MOTION SENSOR |

SAMPLE ITEM NUMBER: ILSBWSWD 150W 4 BR II SM

Electrical Data:

- **Input power:** Stays consistent over life
- **Input Voltage:** 100-277V or 347V/ 480V.
- **Operating Temperature:** -5°F ~ 122°F
- **CRI:** >90
- **L70 Lifetime:** >50,000 hours

Controls:

- This LED fixture is equipped with a 0-10V dimming driver that works universally with any standard 0-10V control or dimmer.

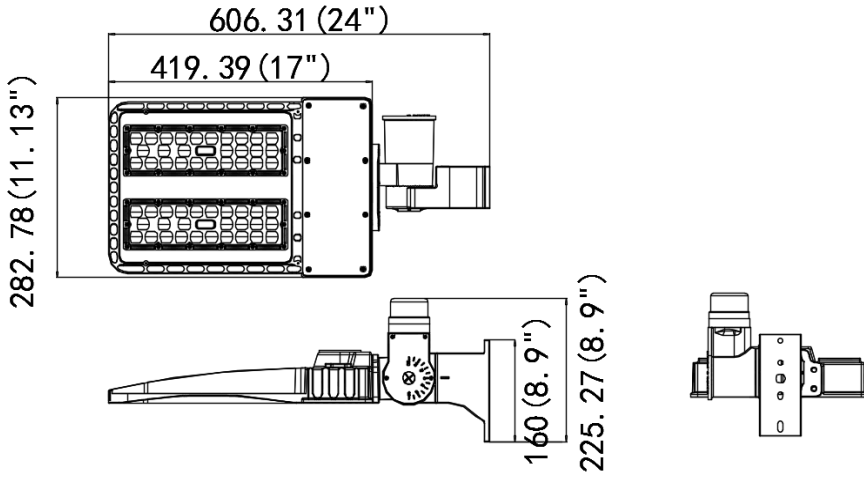
Optical System:

- A unique combination of reflective & refractive optical components achieves a uniform, comfortable look while eliminating pixelation & color fringing.
- Parts work in unison to optimize light distribution, balancing the high delivery of high illuminance levels on horizontal surfaces with an ideal amount of light on walls and vertical surfaces, increasing perception of spaciousness.



Date: _____
 Project: _____
 Price: _____

Dimensions:



Net weight: 150W is 13.2 lbs / 200W is 16.6 lbs
 Size: 24IN x 11.1IN x 8.9IN

Photometrics:

