

Date:	_____
Project:	_____
Price:	_____

EMERGENCY COMBO

Description:

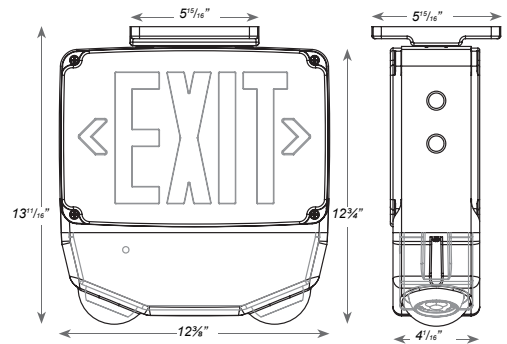
With our Single or Double Faced Exit Sign you'll have an ultra-bright, energy efficient, long lasting, red or green LED light which provides consistent and uniform illumination, guiding your way to safety.

Features:

- Single or double faced plate option.
- Unique bi-color LED indicator light alerts occupant on battery.
- Housing: White, Black, or Gray.
- Mounting: Universal back plate or side wall mount.
- 120-277VAC
- Wattage: 3.6W (1.3 per head)
- L₇₀ Lifetime: >50,000 hours.
- 7 Year Warranty.
- Dimensions: 12 3/8" x 4 1/16" x 13 11/16"



Dimensions:



Additional Options

- SDT - Self Diagnostic Testing.
- TP - Tamper proof hardware.
- CW -Internal heater and battery blanket for extreme cold applications.
- C - Custom wording.



Date:	_____
Project:	_____
Price:	_____

Ordering Key:

SERIES NUMBER	FACES	CCT	FINISH	ADDITIONAL OPTIONS
ILXBECCL	1F- SINGLE FACE	R - RED	B - BLACK	EM - EMERGENCY BACKUP
	2F- 2 FACE	G - GREEN	WH - WHITE	TP - TAMPER PROOF
			G - GRAY*	SDT - SELF DIAGNOSTIC
				CW - COLD WEATHER
				C - CUSTOM WORDING

G - GRAY* HAS A WHITE FACE PLATE

SAMPLE ITEM NUMBER: ILXBECCL 1F R WH EM

