

|          |       |
|----------|-------|
| Date:    | _____ |
| Project: | _____ |
| Price:   | _____ |

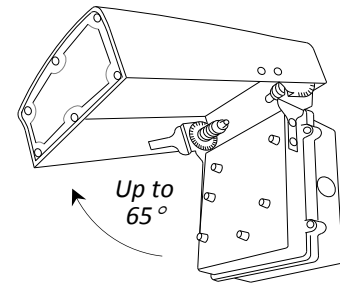
# Adjustable Full Cutoff Area Light

## Description:

Our Area Light is a heavy-duty, spring-loaded hinge, which provides the flexibility of focusing light near the mounting surface or projecting light forward. With a die cast aluminum housing and a polycarbonate lens, the ILWPAFCA series will stand up to many years of punishing environmental conditions.

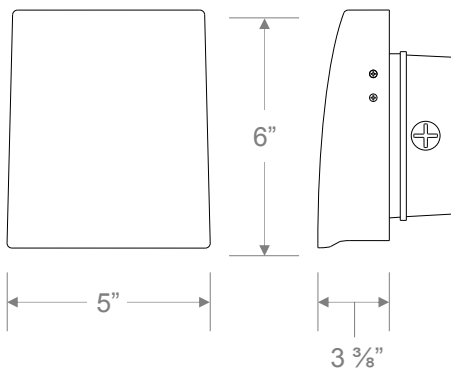
## Features:

- Housing: Dark Bronze Aluminum.
- Input Voltage: 120-277 VAC
- CRI >90
- Easy installation in new construction or retrofit.
- IP Rating: IP65
- L70 Lifetime: >50,000 hours.
- 7 Year Warranty.
- Available color options: 3000K, 4000K or 5000K
- Delivers 1,211 lumens & 101 lumens per watt (LPW) at 3000k; 1,285 lumens & 107 LPW at 4000k; and 1,321 lumens & 110 LPW at 5000k.\*
- Dimensions:



### VERTICAL ADJUSTABILITY

- *Heavy-duty, spring-loaded hinge provides vertical adjustability of the luminaire housing up to 65°.*
- *Adjustability provides for a range of lighting effects from full-cutoff downlight to forward throw.*
- *Knurled notches securely retain rotated position even in demanding environments.*



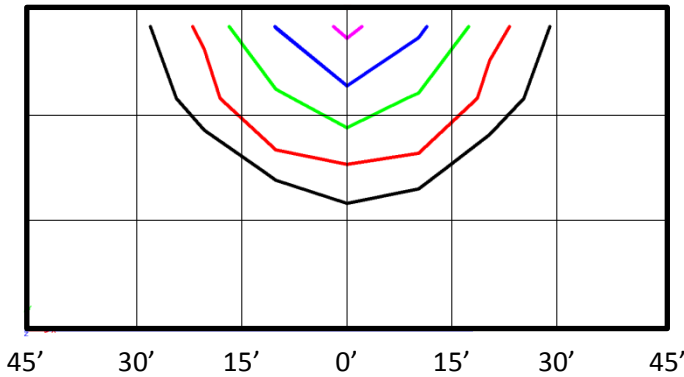
Weight: 2.4 lb.



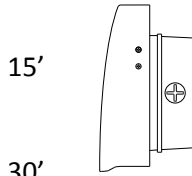
|          |       |
|----------|-------|
| Date:    | _____ |
| Project: | _____ |
| Price:   | _____ |

# Photometrics:

(1,321 Lumens)



0' Luminaire Orientation:



15'  
30'  
45'

## BUG Rating: B1-U0-G0

| Zone                            | Lumens       | %           |
|---------------------------------|--------------|-------------|
| FL - Front - Low (0-30)         | 229          | 17%         |
| FM - Front - Medium (30-60)     | 373          | 28%         |
| FH - Front - High (60-80)       | 89           | 7%          |
| FVH - Front - Very High (80-90) | 4            | 0%          |
| <b>Total Forward Light</b>      | <b>696</b>   | <b>53%</b>  |
| BL - Back - Low (0-30)          | 212          | 16%         |
| BM - Back - Medium (30-60)      | 322          | 24%         |
| BH - Back - High (60-80)        | 82           | 6%          |
| BVH - Back - Very High (80-90)  | 8            | 1%          |
| <b>Total Back Light</b>         | <b>625</b>   | <b>47%</b>  |
| UL - Up Light - Low (90-100)    | 0            | 0%          |
| UH - Up Light - High (100-180)  | 0            | 0%          |
| <b>Total Up Light</b>           | <b>0</b>     | <b>0%</b>   |
| <b>Total Lumens</b>             | <b>1,321</b> | <b>100%</b> |

### Foot Candles

- 5.0
- 2.0
- 1.0
- 0.5
- 0.2
- 0.1

### Notes:

- Isofootcandle plots depict initial footcandles at grade.
- Gridlines represent units of mounting height of 15 feet.

## Ordering Key:

| SERIES NUMBER | WATTS / LUMENS | CCT                                 | FINISH      | ADDITIONAL OPTIONS |
|---------------|----------------|-------------------------------------|-------------|--------------------|
| ILWPAFCA      | 12w- / 1,285   | 3 - 3000K<br>4 - 4000K<br>5 - 5000K | BZ - BRONZE | PC - PHOTOCELL     |

SAMPLE ITEM NUMBER: ILWPAFCA 12 4 BZ PC

## Electrical Data:

- **Input power:** Stays consistent over life
- **Input Voltage:** 120-277 VAC
- **CRI:** >90
- **L70 Lifetime:** >50,000 hours

## Controls:

- This LED fixture is equipped with a 0-10V dimming driver that works universally with any standard 0-10V control or dimmer.

## Optical System:

- A unique combination of reflective & refractive optical components achieves a uniform, comfortable look while eliminating pixelation & color fringing.
- Parts work in unison to optimize light distribution, balancing the high delivery of high illuminance levels on horizontal surfaces with an ideal amount of light on walls and vertical surfaces, increasing perception of spaciousness.