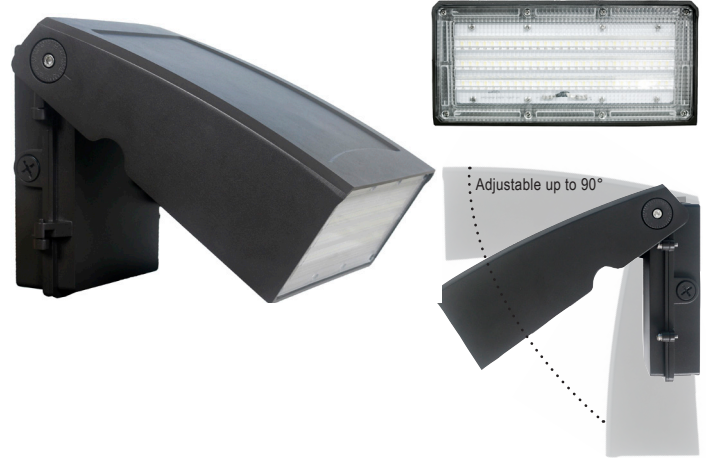


Date:	_____
Project:	_____
Price:	_____

Adjustable Full Cutoff Area Light

Description:

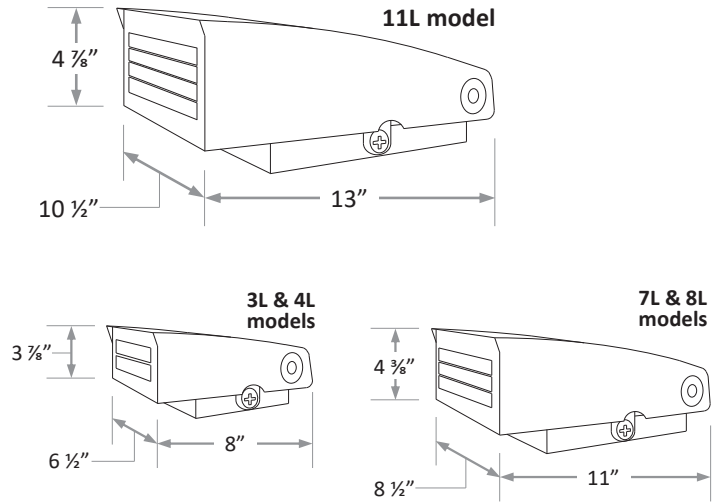
Our Area Light is a heavy-duty, spring-loaded hinge, which provides the flexibility of focusing light near the mounting surface or projecting light forward. A die cast aluminum housing and a polycarbonate lens.



Features:

- Housing: Dark Bronze Aluminum.
- Input Voltage: 120-277 VAC
- Wattage: 23W, 37W, 58W, 71W, or 93W
- Lumens: 115 LM/W
- CCT: 4000K or 5000K
- CRI >90
- Polycarbonate lens
- Easy installation in new construction or retrofit.
- IP Rating: IP65
- Adjustable: 90°
- L70 Lifetime: >56,000 hours.
- 7 Year Warranty.

DIMENSIONS



Date:	_____
Project:	_____
Price:	_____

Ordering Key:

SERIES NUMBER	WATTS / LUMENS	CCT	FINISH	ADDITIONAL OPTIONS
ILWPAFCL	23w- / 2,680	4 - 4000K	BZ - BRONZE	PC - PHOTOCCELL
	37w- / 4,230	5 - 5000K		
	58w- / 6,600			
	71w- / 8,050			
	93w- / 10,800			

SAMPLE ITEM NUMBER: ILWPAFCL 37w 5 BZ PC

Electrical Data:

- **Input power:** Stays consistent over life
- **Input Voltage:** 120-277 VAC
- **CRI:** >90
- **L70 Lifetime:** >56,000 hours

Optical System:

- A unique combination of reflective & refractive optical components achieves a uniform, comfortable look while eliminating pixelation & color fringing.
- Parts work in unison to optimize light distribution, balancing the high delivery of high illuminance levels on horizontal surfaces with an ideal amount of light on walls and vertical surfaces, increasing perception of spaciousness.

Controls:

- This LED fixture is equipped with a 0-10V dimming driver that works universally with any standard 0-10V control or dimmer.



Date:	_____
Project:	_____
Price:	_____

ELECTRICAL DATA

Model Number	Color Temperature	CRI ¹	Luminaire Lumens	Luminaire Watts	Lumens/Watt	Input Voltage ²	Input Current (A)			Power Factor	THD ³	L ₇₀ Hours ⁴
							120V	240V	277V			
ILWPAFCL	4000k	> 0	2,680	23	116	120-277	0.19	0.10	0.0	>0.90	<20%	56,000
	5000k	> 0	2,693	23	118	120-277	0.19	0.10	0.0	>0.90	<20%	56,000
	4000k	80	4,234	37	114	120-277	0.31	0.16	0.13	>0.90	<20%	56,000
	5000k	> 0	4,254	37	114	120-277	0.31	0.16	0.1	>0.90	<20%	56,000
	4000k	80	6,601	58	114	120-277	0.48	0.24	0.21	>0.90	<20%	56,000
	5000k	> 0	6,626	57	116	120-277	0.48	0.24	0.21	>0.90	<20%	56,000
	4000k	80	8,014	71	113	120-277	0.59	0.29	0.26	>0.90	<20%	56,000
	5000k	>80	8,078	71	114	120-277	0.59	0.30	0.26	>0.90	<20%	56,000
	4000k	>80	10,752	93	116	120-277	0.78	0.39	0.34	>0.90	<20%	56,000
	5000k	>80	10,824	93	116	120-277	0.78	0.39	0.34	>0.90	<20%	56,000

PHOTOMETRIC DATA

23w

Luminaire Data

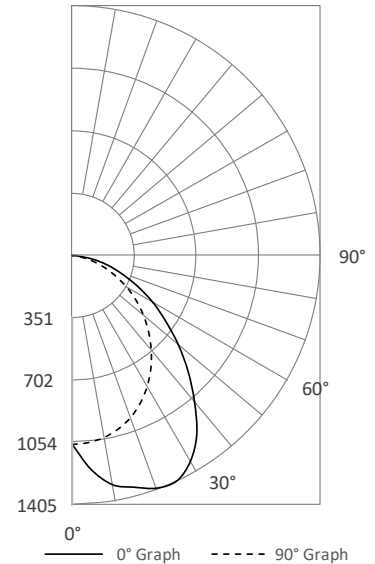
Description	Adjustable Wall Pack 3L, 4K
Total Lumens	2,680
Input Wattage	23
Efficacy (lm/W)	117
Max. Cd.	1413.96 (360H, 22V)
IES Classification	Type II
Longitudinal Classification	Very Short

Luminaire Classification Systems (LCS)

LCS Zone	Lumens	%Lum	
FL	0-30	520	19.4%
FM	30-60	993	37.1%
FH	60-80	316	11.8%
FVH	80-90	21	0.8%
BL	0-30	305	11.4%
BM	30-60	399	14.9%
BH	60-80	118	4.4%
BVH	80-90	7	0.3%
UL	90-100	0	0.0%
UH	100-180	0	0.0%
Total		2,680	99.9%

BUG Rating B1-U0-G1

180° Polar Graph



Zonal Lumen Summary

Zone	Lumens	%Fixt
0-30°	824	30.8%
0-60°	2,217	82.7%
0-80°	2,652	98.9%
80-90°	28	1.1%*
0-90°	2,680	100.0%
90-110°	0	0.0%
110-180°	0	0.0%
0-180°	2,680	100.0%

* 80-90° glare zone is calculated by dividing the lumens in that zone by the lumen total in the 0-90° zone



Date: _____
 Project: _____
 Price: _____

PHOTOMETRIC DATA

37w-4L-4K

Luminaire Data

Description	Adjustable Wall Pack 4L, 4K
Total Lumens	4,234
Input Wattage	37
Efficacy (lm/W)	114
Max. Cd.	2251.44 (360H, 23V)
IES Classification	Type II
Longitudinal Classification	Very Short

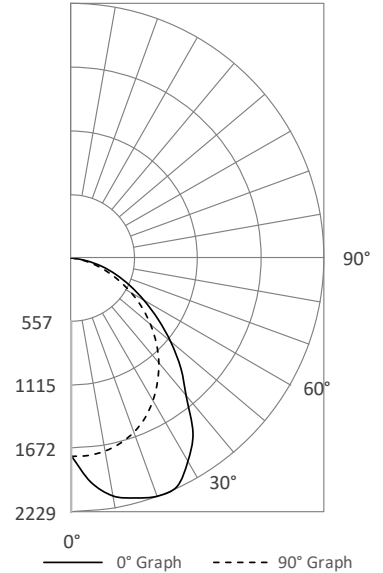
Zonal Lumen Summary

Zone	Lumens	%Fixt
0-30°	1,347	31.8%
0-60°	3,541	83.6%
0-80°	4,196	99.1%
80-90°	38	0.9%*
0-90°	4,234	100.0%
90-110°	0	0.0%
110-180°	0	0.0%
0-180°	4,234	100.0%

Luminaire Classification Systems (LCS)

LCS Zone		Lumens	%Lum
FL	0-30	836	19.8%
FM	30-60	1,531	36.2%
FH	60-80	462	10.9%
FVH	80-90	26	0.6%
BL	0-30	511	12.1%
BM	30-60	663	15.7%
BH	60-80	192	4.5%
BVH	80-90	12	0.3%
UL	90-100	0	0.0%
UH	100-180	0	0.0%
Total		4,234	100.0%
BUG Rating		B2-U0-G1	

180° Polar Graph



* 80-90° glare zone is calculated by dividing the lumens in that zone by the lumen total in the 0-90° zone

58w-7L-4K

Luminaire Data

Description	Adjustable Wall Pack 7L, 4K
Total Lumens	6,601
Input Wattage	58
Efficacy (lm/W)	114
Max. Cd.	3506.76 (360H, 23V)
IES Classification	Type II
Longitudinal Classification	Very Short

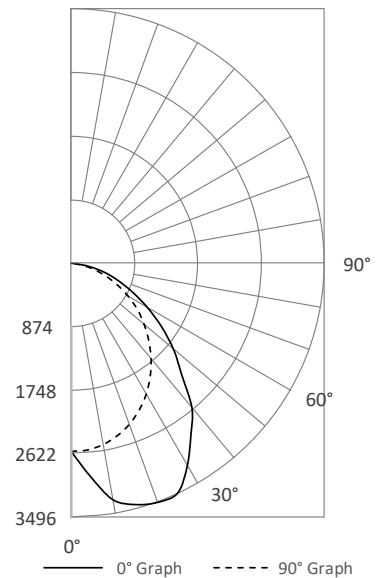
Zonal Lumen Summary

Zone	Lumens	%Fixt
0-30°	2,048	31.0%
0-60°	5,464	82.8%
0-80°	6,527	98.9%
80-90°	74	1.1%*
0-90°	6,601	100.0%
90-110°	0	0.0%
110-180°	0	0.0%
0-180°	6,601	100.0%

Luminaire Classification Systems (LCS)

LCS Zone		Lumens	%Lum
FL	0-30	1,286	19.5%
FM	30-60	2,388	36.2%
FH	60-80	752	11.4%
FVH	80-90	53	0.8%
BL	0-30	762	11.5%
BM	30-60	1,028	15.6%
BH	60-80	311	4.7%
BVH	80-90	21	0.3%
UL	90-100	0	0.0%
UH	100-180	0	0.0%
Total		6,601	100.0%
BUG Rating		B2-U0-G1	

180° Polar Graph



* 80-90° glare zone is calculated by dividing the lumens in that zone by the lumen total in the 0-90° zone





i-LUMINOSITY

LED LIGHTING FIXTURES

PHOTOMETRIC DATA

71w-8L-4K

Luminaire Data

Description	Adjustable Wall Pack 8L, 4K
Total Lumens	8,014
Input Wattage	71
Efficacy (lm/W)	113
Max. Cd.	4284.82 (360H, 23V)
IES Classification	Type II
Longitudinal Classification	Very Short

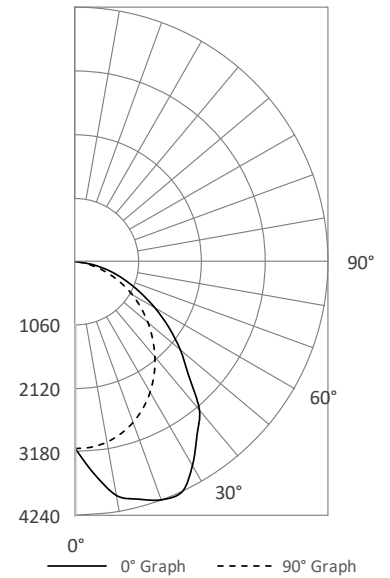
Zonal Lumen Summary

Zone	Lumens	%Fixt
0-30°	2,462	30.7%
0-60°	6,611	82.5%
0-80°	7,922	98.9%
80-90°	92	1.1%*
0-90°	8,014	100.0%
90-110°	0	0.0%
110-180°	0	0.0%
0-180°	8,014	100.0%

Luminaire Classification Systems (LCS)

LCS Zone		Lumens	%Lum
FL	0-30	1,554	19.4%
FM	30-60	2,926	36.5%
FH	60-80	937	11.7%
FVH	80-90	66	0.8%
BL	0-30	908	11.3%
BM	30-60	1,223	15.3%
BH	60-80	375	4.7%
BVH	80-90	26	0.3%
UL	90-100	0	0.0%
UH	100-180	0	0.0%
Total		8,014	100.0%
BUG Rating		B2-U0-G1	

180° Polar Graph



* 80-90° glare zone is calculated by dividing the lumens in that zone by the lumen total in the 0-90° zone

93w-11L-4K

Luminaire Data

Description	Adjustable Wall Pack 11L, 4K
Total Lumens	10,752
Input Wattage	93
Efficacy (lm/W)	116
Max. Cd.	5826.22 (360H, 25V)
IES Classification	Type II
Longitudinal Classification	Very Short

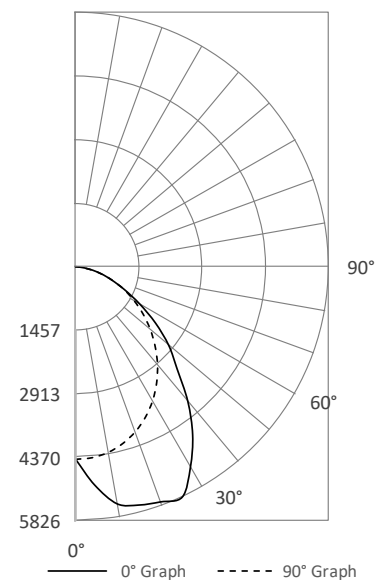
Zonal Lumen Summary

Zone	Lumens	%Fixt
0-30°	3,459	32.2%
0-60°	9,020	83.9%
0-80°	10,642	99.0%
80-90°	110	1%*
0-90°	10,752	100.0%
90-110°	0	0.0%
110-180°	0	0.0%
0-180°	10,752	100.0%

Luminaire Classification Systems (LCS)

LCS Zone		Lumens	%Lum
FL	0-30	2,153	20.0%
FM	30-60	3,866	35.9%
FH	60-80	1,129	10.5%
FVH	80-90	78	0.7%
BL	0-30	1,307	12.2%
BM	30-60	1,694	15.8%
BH	60-80	494	4.6%
BVH	80-90	32	0.3%
UL	90-100	0	0.0%
UH	100-180	0	0.0%
Total		10,752	99.8%
BUG Rating		B3-U0-G1	

180° Polar Graph



* 80-90° glare zone is calculated by dividing the lumens in that zone by the lumen total in the 0-90° zone

