



**i-LUMINOSITY**  
LED LIGHTING FIXTURES

Date:	_____
Project:	_____
Price:	_____

# LED WILLIAMSBURG HIGH BAY

## Description:

Our LED 2X2 2X4 High Bay is energy efficient with a high lumen output at 130 Lm/W and a CRI >90. It is available in 4000K or 5000K CCT, with a 0-10V dimming option. It's perfect for warehouses, parking garages, commercial and industrial applications.



## Features:

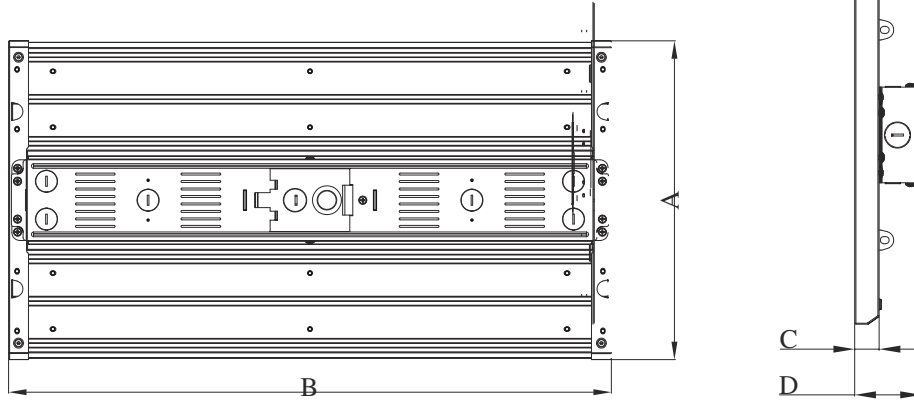
- Input Power: 120-277V or 347-480V
- Power Consumption: 80W - 320W
- Additional Options: 1) Sensors 2) Emergency Backup 3) Wire Guard
- CRI >90
- Available Color Options: 4000K or 5000K
- Finish: White
- Available Length Options: 2 X 2 FT or 2 X 4 FT
- Operating Temperature: -40°F ~ 104°F
- L70 Lifetime: >50,000 hours
- 1-10V dimming option available.
- Lighting controls option available.
- 7 Year Warranty



Date: \_\_\_\_\_  
 Project: \_\_\_\_\_  
 Price: \_\_\_\_\_

### Dimensions:

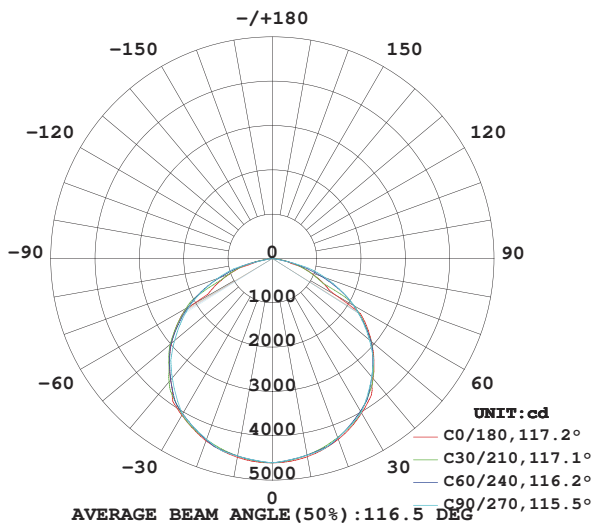
- A: Width**
- B: Length**
- C: Panel Height**
- D: Fixture Height**



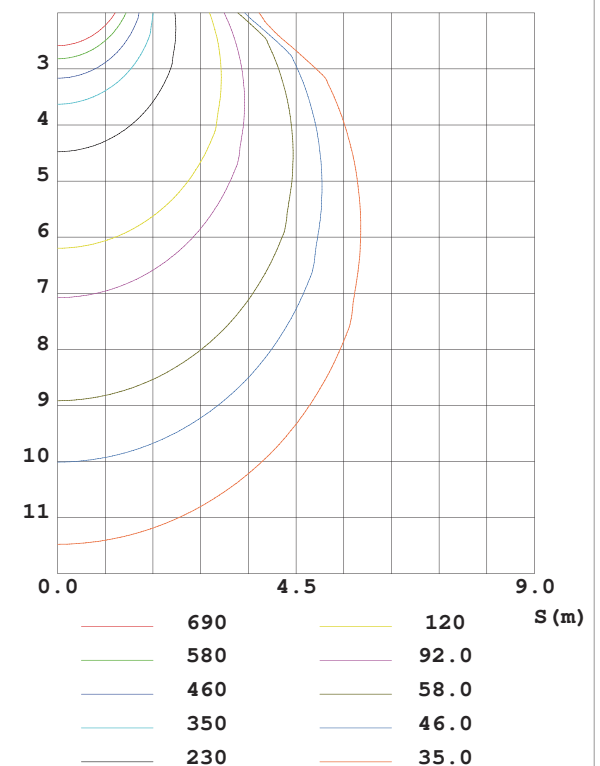
WATTAGE	A	B	C	D
80W	12.60"	23.82"	0.83"	2.2"
110W	12.60"	23.82"	0.83"	2.2"
140W	17.32"	23.82"	0.83"	2.2"
160W	17.32"	23.82"	0.83"	2.2"
165W	17.32"	23.82"	0.83"	2.2"
220W	17.32"	23.82"	0.83"	2.2"
160W	12.60"	45.87"	0.83"	2.2"
165W	12.60"	45.87"	0.83"	2.2"
225W	12.60"	45.87"	0.83"	2.2"
320W	17.32"	45.87"	0.83"	2.2"
325W	17.32"	45.87"	0.83"	2.2"

### Photometrics:

LUMINOUS INTENSITY DISTRIBUTION DIAGRAM



C0 PLANE ISOLUX DIAGRAM (UNIT: lx)



Date:	_____
Project:	_____
Price:	_____

## Ordering Key:

SERIES NUMBER	WATTAGE/ SIZE / LUMENS	CCT	VOLTAGE	ADDITIONAL OPTIONS
ILHBWHTS	80W - 2FT / 10,400	4 - 4000K	1 - 120/277V	DM - 1-10V DIMMABLE
	110W - 2FT / 14,300	5 - 5000K	3 - 347/480V	EM - EMERGENCY BACKUP
	140W - 2FT / 18,200			S - SENSORS
	160W - 2FT / 20,800			WG - WIRE GUARD
	165W - 2FT / 21,450			
	220W - 2FT / 28,600			
	160W - 4FT / 20,800			
	165W - 4FT / 21,450			
	225W - 4FT / 29,250			
	320W - 4FT / 41,600			
	325W - 4FT / 42,250			

SAMPLE ITEM NUMBER: ILHBWHTS 110 4 1 DM

## Electrical Data:

- **Input Power:** Stays consistent over life.
- **Input Voltage:** 120-277V or 347-480V
- **CRI:** >90
- **Operating Temperature:** -40°F ~ 104°F
- **L70 Lifetime:** >50,000 hours.

## Controls:

- This LED fixture is equipped with 0-10V dimming that works universally with any standard 0-10V control or dimmer.

## Optical System:

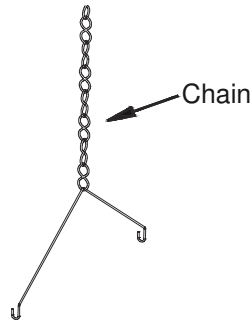
- A unique combination of reflective & refractive optical components achieves a uniform, comfortable look while eliminating pixelation & color fringing.
- Parts work in unison to optimize light distribution, balancing the high delivery of high illuminance levels on horizontal surfaces with an ideal amount of light on walls and vertical surfaces, increasing perception of spaciousness.



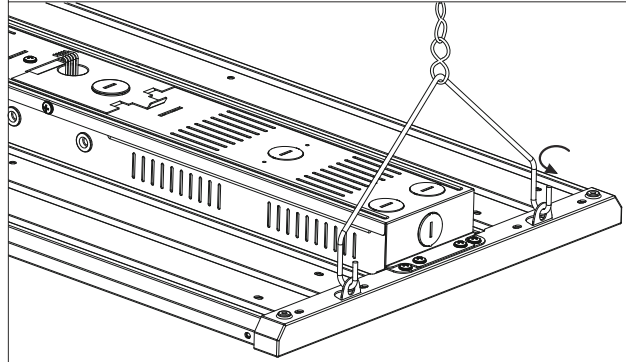
Date:	_____
Project:	_____
Price:	_____

## Chain Installation

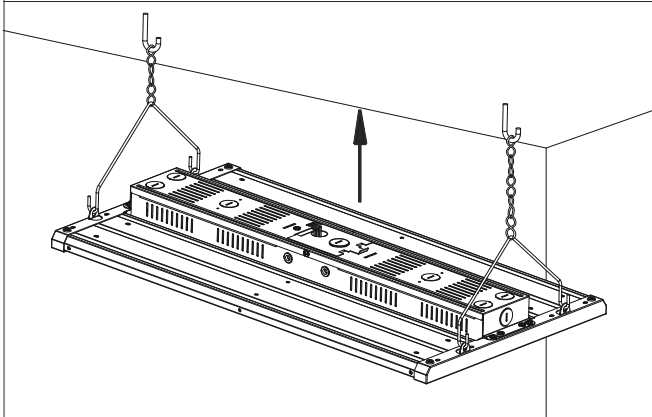
1. Hook the chain as below pic.



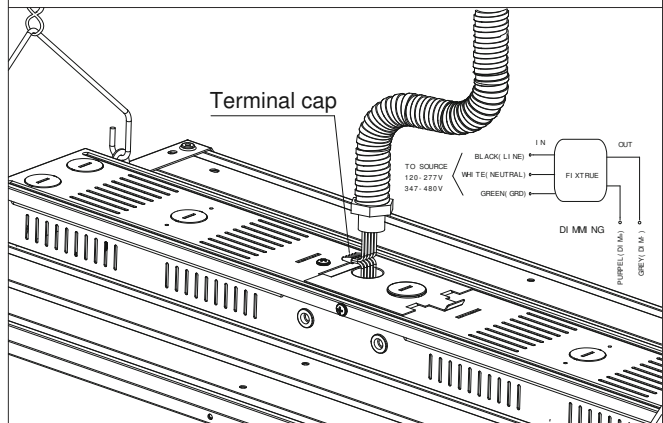
2. Insert the hook into the slotted holes, as shown below.



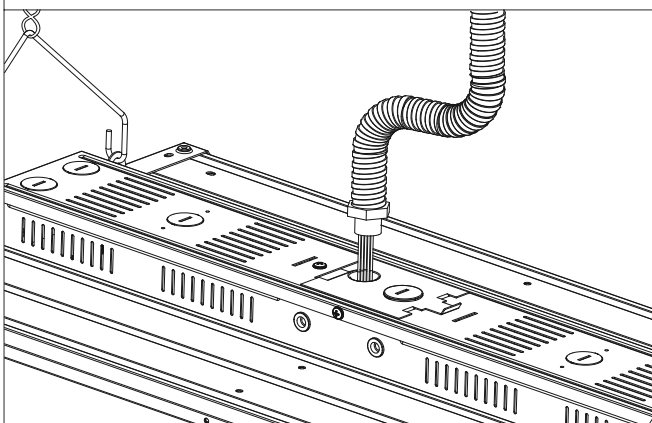
3. Hook up the chain on the ceiling anchor.



4. Turn off power, and make wiring connection with terminal cap (see wiring instruction below).



5. Insert the terminal cap and wires into the driver box.



6. Insert the wire terminal joint to the wire entry. Installation completed.

