



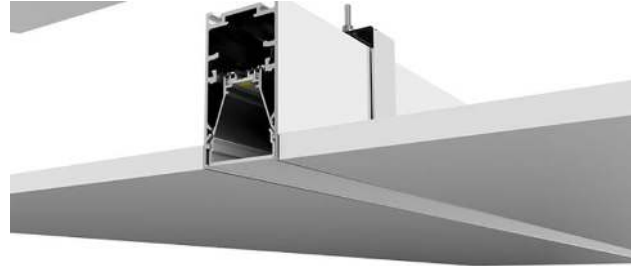
**i-LUMINOSITY**  
LED LIGHTING FIXTURES

Date:	_____
Project:	_____
Price:	_____

# BENSON SERIES RECESSED LINEAR

## Description:

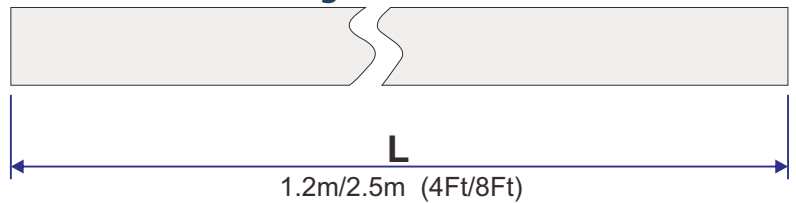
Our Benson Series Recessed Linear Light ensures an even illumination across any surface. Easily **LINKABLE** to create a seamless length. With an IP40 rating this fixture is perfect for offices, retail locations, or lobbies.



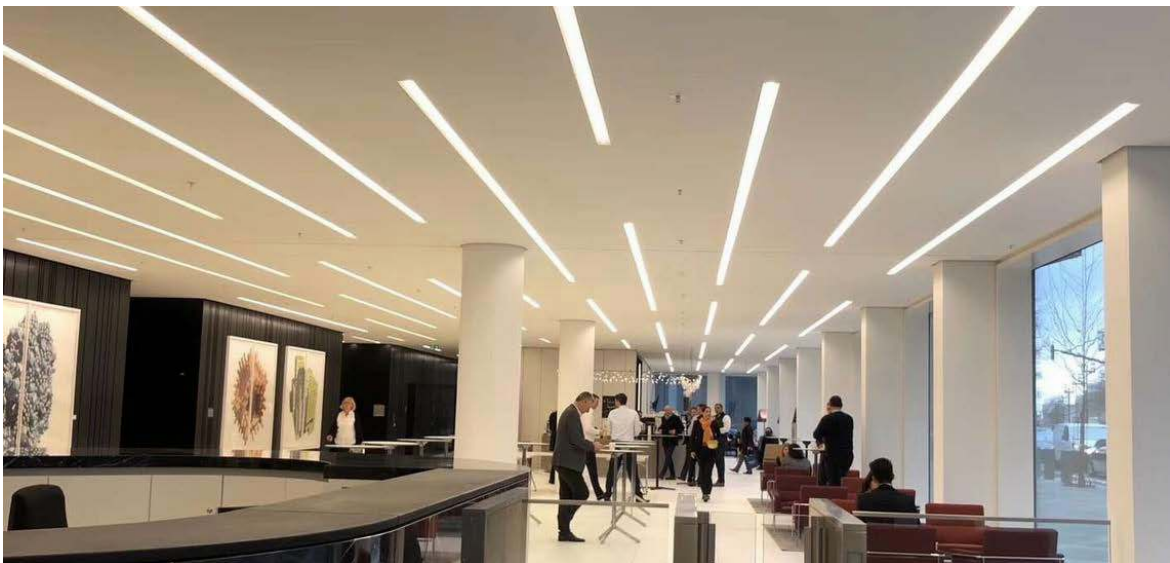
## Features:

- Input Power: 100~277VAC
- Housing Material: Aluminum + PC cover
- Wattage: Various wattages see below.
- IP Rating: IP40
- CRI >90
- Available Color Options: 2700K, 3000K, 3500K, 4000K, 5000K, 6000K.
- Available Mounting Options: Recessed.

## Custom Lengths Available:



- L70 Lifetime: >50,000 hours.
- Available Finish Options: Silver, White, Black
- 0-10V dimming option available.
- Lighting controls option available.
- 7 Year Warranty.





**i-LUMINOSITY**  
LED LIGHTING FIXTURES

Date:	_____
Project:	_____
Price:	_____

**Step 1: Choose Your Channel.**

**Option 1:**



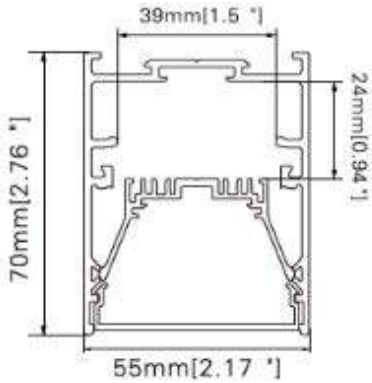
- Power Consumption: 4 FT - 31W  
8 FT - 62W
- Beam Angle: 96°
- Lumens: 100LM/W  
750LM/FT
- Wattage: 7.8W/FT
- Rated life: 50,000 hours
- CRI>90
- Available in 2700K, 3000K, 3500K, 4000K, 5000K, 6000K.
- Operating temperature: -5F - 104F
- 7 Year Warranty.

**Option 2:**

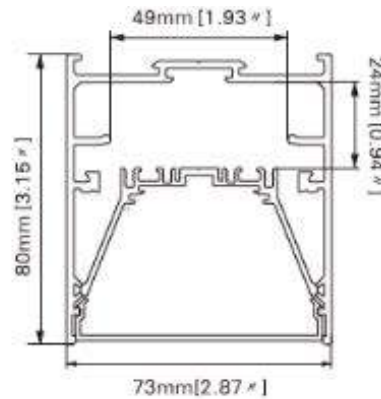


- Power Consumption: 4 FT - 34W  
8 FT - 68W
- Beam Angle: 96°
- Lumens: 100LM/W  
850LM/FT
- Wattage: 8.6W/FT
- Rated life: 50,000 hours
- CRI>90
- Available in 2700K, 3000K, 3500K, 4000K, 5000K, 6000K.
- Operating temperature: -5F - 104F
- 7 Year Warranty.

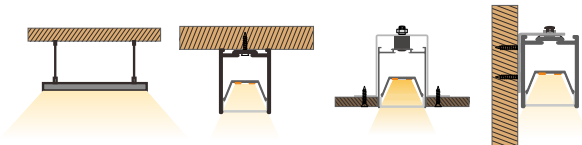
**Dimensions:**



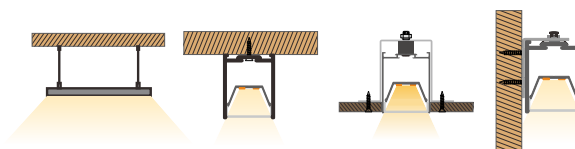
**Dimensions:**



**Mounting Options:**



**Mounting Options:**





**i-LUMINOSITY**  
LED LIGHTING FIXTURES

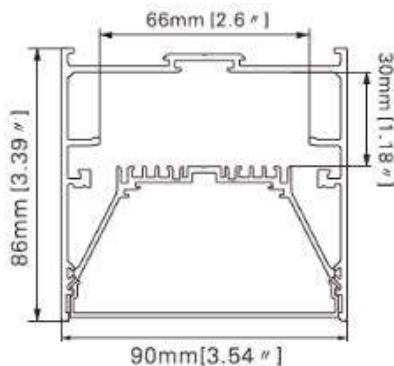
Date:	_____
Project:	_____
Price:	_____

**Option 3:**

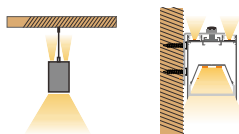


- Power Consumption: 4 FT - 45W  
8 FT - 90W
- Beam Angle: 96°
- Lumens: 100LM/W  
1,200LM/FT
- Wattage: 11.3W/FT
- Rated life: 50,000 hours
- CRI>90
- Available in 2700K, 3000K, 3500K, 4000K, 5000K, 6000K.
- Operating temperature: -5F - 104F
- 7 Year Warranty.

**Dimensions:**



**Mounting Options:**

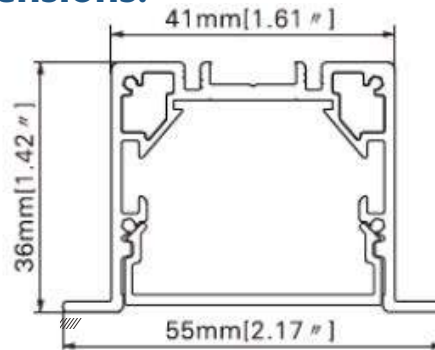


**Option 4:**



- Power Consumption: 4 FT - 23W  
8 FT - 46W
- Beam Angle: 96°
- Lumens: 100LM/W  
430LM/FT
- Wattage: 5.8W/FT
- Rated life: 50,000 hours
- CRI>90
- Available in 2700K, 3000K, 3500K, 4000K, 5000K, 6000K.
- Operating temperature: -5F - 104F
- 7 Year Warranty.

**Dimensions:**



**Mounting Options:**

RECESSED





**i-LUMINOSITY**  
LED LIGHTING FIXTURES

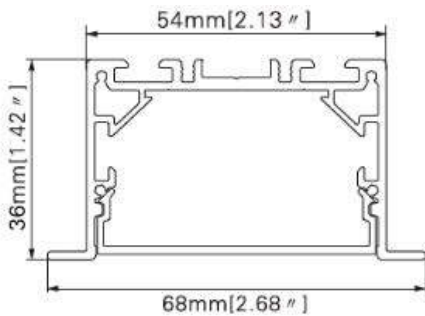
Date:	_____
Project:	_____
Price:	_____

**Option 5:**



- Power Consumption: 4 FT - 32W  
8 FT - 64W
- Beam Angle: 96°
- Lumens: 100LM/W  
650 LM/FT
- Wattage: 8W/FT
- Rated life: 50,000 hours
- CRI>90
- Available in 2700K, 3000K, 3500K, 4000K,  
5000K, 6000K.
- Operating temperature: -5F - 104F
- 7 Year Warranty.

**Dimensions:**



**Mounting Options:**

RECESSED

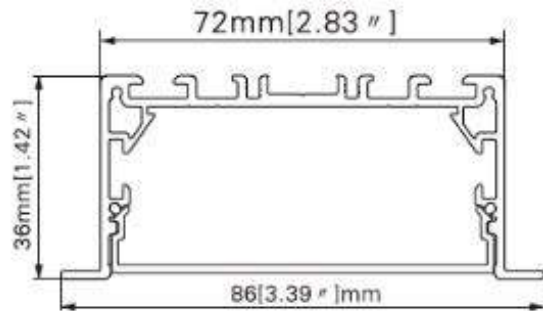


**Option 6:**



- Power Consumption: 4 FT - 34W  
8 FT - 68W
- Beam Angle: 96°
- Lumens: 100LM/W  
800 LM/FT
- Wattage: 8.5W/FT
- Rated life: 50,000 hours
- CRI>90
- Available in 2700K, 3000K, 3500K, 4000K,  
5000K, 6000K.
- Operating temperature: -5F - 104F
- 7 Year Warranty.

**Dimensions:**



**Mounting Options:**

RECESSED



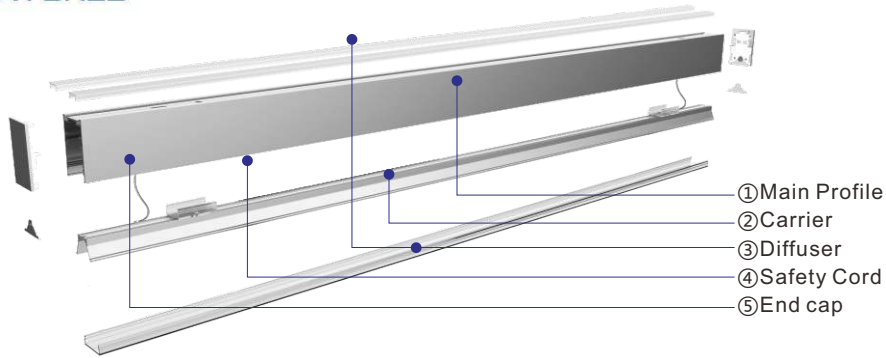


# i-LUMINOSITY

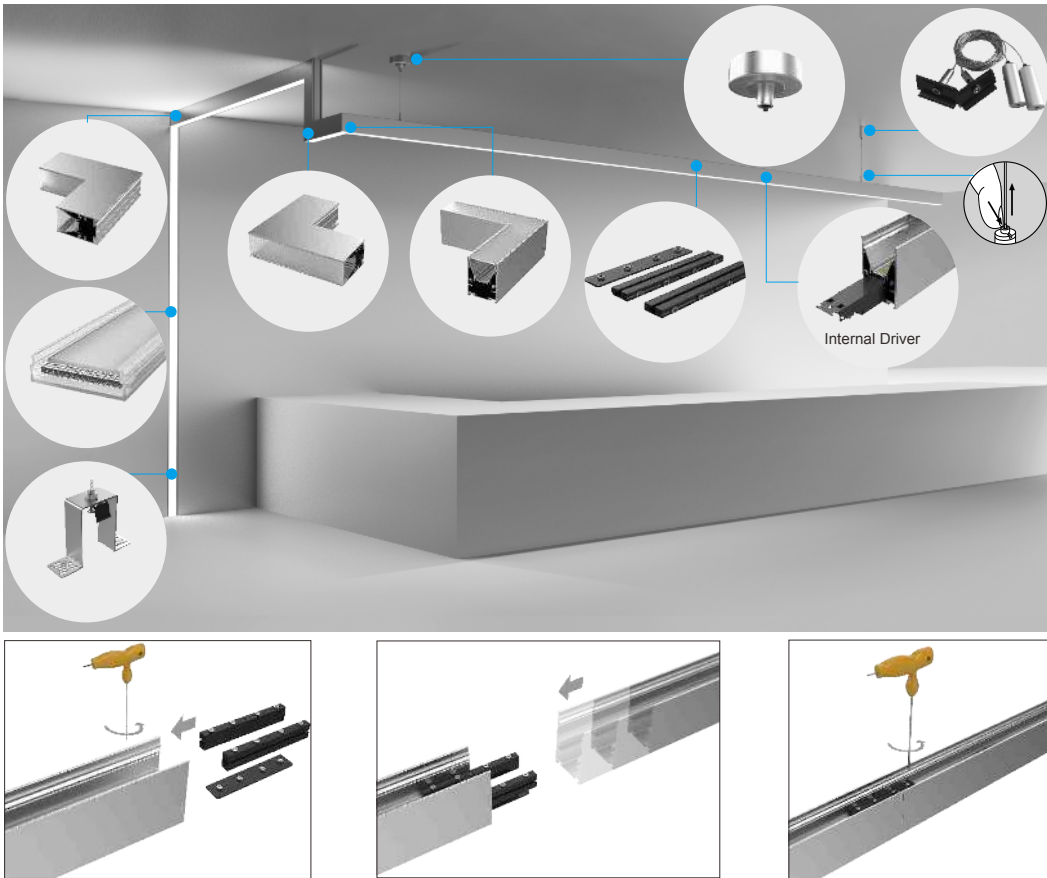
LED LIGHTING FIXTURES

Date:	_____
Project:	_____
Price:	_____

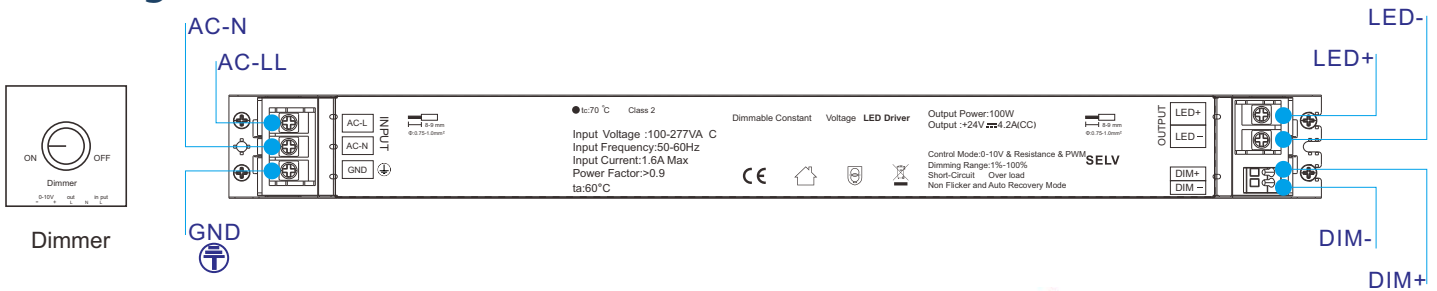
## Parts:



## Connection:



## Dimming Connection:



Date:	_____
Project:	_____
Price:	_____

## Ordering Key:

ILLBSBV

SERIES NUMBER	OPTION	SIZE	CCT	TRIM FINISH	ADDITIONAL OPTIONS
ILLBSBV	O1 - OPTION 1	4FT - OPTION 1	27 - 2700K	SV - SILVER	DM - 0-10V DIMMING
	O2 - OPTION 2	8FT - OPTION 2	3 - 3000K	WH - WHITE	MS - MOTION SENSOR
	O3 - OPTION 3	X - CUSTOM LENGTH	35 - 3500K	BK - BLACK	EM - EMERGENCY BACKUP
	O4 - OPTION 4		4 - 4000K		TL - TRIMLESS
	O5 - OPTION 5		5 - 5000K		
	O6 - OPTION 6		6 - 6000K		

SAMPLE ITEM NUMBER: ILLBSBV O1 X 4 SV DM

## Electrical Data:

- **Input Power:** Stays consistent over
- **Input Voltage:** 100-277 VAC
- **CRI:** >90
- **L70 Lifetime:** >50,000 hours.

## Controls:

- This LED fixture is equipped with 0-10V dimming that works universally with any standard 0-10V control or dimmer.

## Optical System:

- A unique combination of reflective & refractive optical components achieves a uniform, comfortable look while eliminating pixelation & color fringing.
- Parts work in unison to optimize light distribution, balancing the high delivery of high illuminance levels on horizontal surfaces with an ideal amount of light on walls and vertical surfaces, increasing perception of spaciousness.

## Photometrics:

