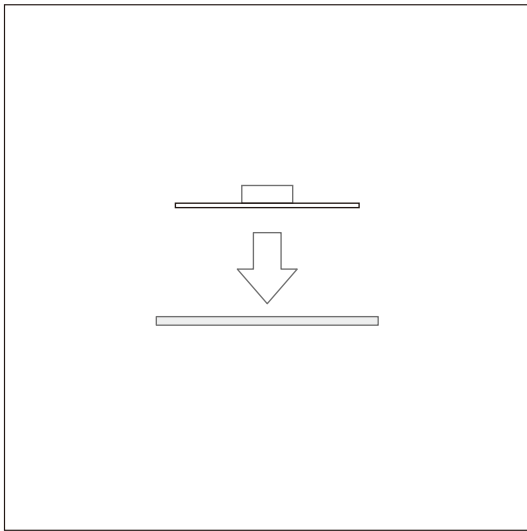
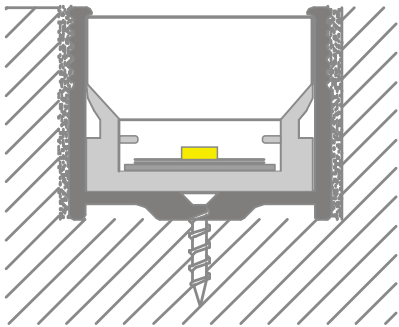
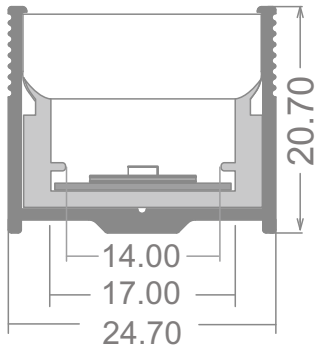
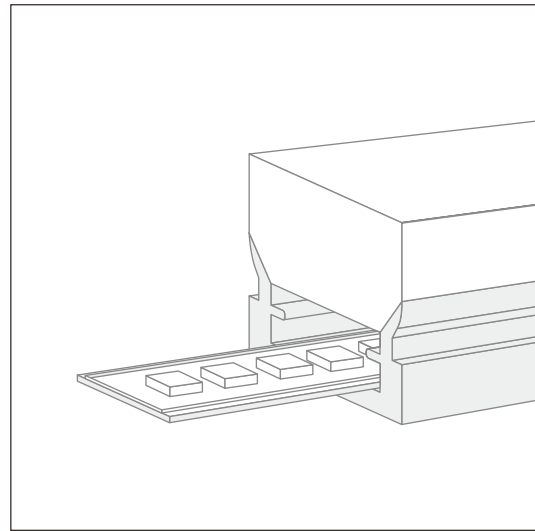


Date:	_____
Project:	_____
Price:	_____

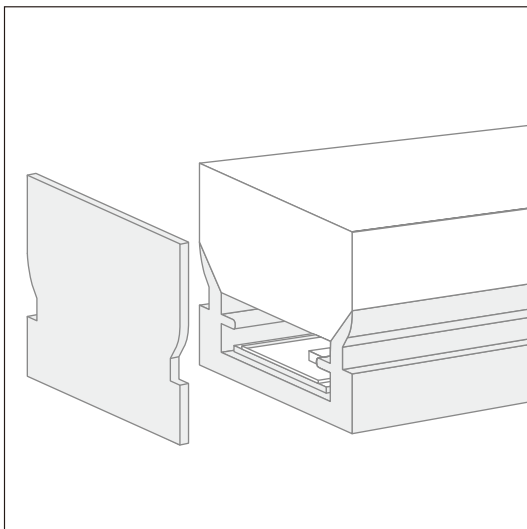
## Outdoor Linear Light Installation Instructions:



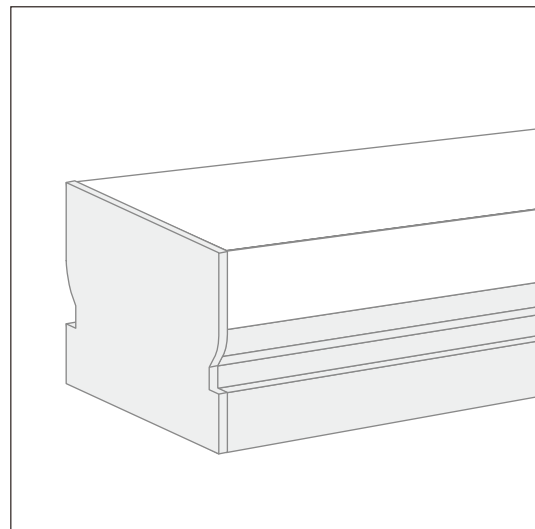
1



2



3



4

