



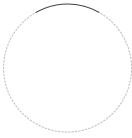
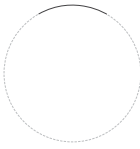

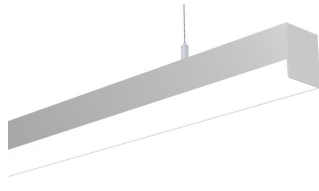
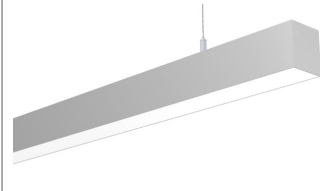


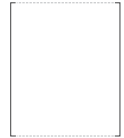
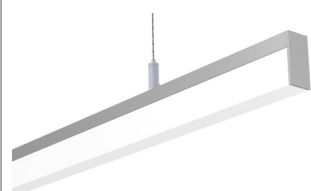







DIMENSIONS	PC1	PC2	PC3
			
Weights	0.40 lbs/ft (0.59 kg/m)	0.48 lbs/ft (0.72 kg/m)	1.30 lbs/ft (1.94 kg/m)
Diameter	1.57 in (39.8 mm)	2.40 in (61.0 mm)	4.76 in (120.9 mm)
	 BEAM ANGLE: 136° Lens presented as dotted line.	 BEAM ANGLE: 120° Lens presented as dotted line.	 BEAM ANGLE: 160° Lens presented as dotted line.

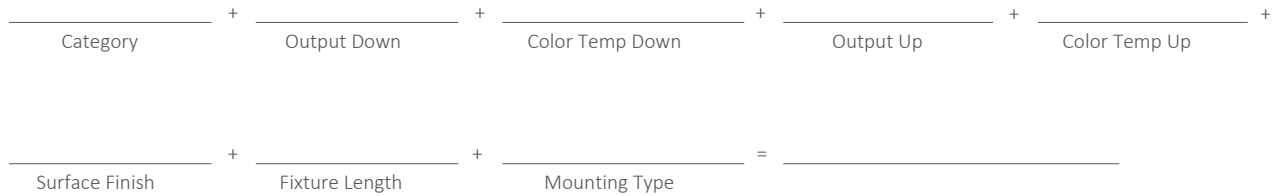
DIMENSIONS	PS1	PS2	PS3
			
Weights	--	0.96 lbs/ft (1.43 kg/m) without integral driver	1.75 lbs/ft (2.60 kg/m) without integral driver
Width	1.38 in (35.1 mm)	2.36 in (60 mm)	2.95 in (75 mm)
Height	1.38 in (35.1 mm)	2.36 in (60 mm)	3.85 in (98 mm)
Max Length	--	7'6.5" (2.3 m) plus end cap thickness	--
	 BEAM ANGLE: 136° Lens presented as dotted line.	 BEAM ANGLE: 106° Lens presented as dotted line.	 BEAM ANGLE: 110° Lens presented as dotted line.

DIMENSIONS	PR1	PR2	PR3
			
Weights	0.15 lbs/ft (0.23 kg/m)	0.875 lbs/ft (1.38 kg/m)	1.28 lbs/ft (1.91 kg/m) <small>Scaled down</small>
Width	0.77 in (19.6 mm)	1.65 in (42 mm)	1.65 in (42 mm)
Height	1.59 in (40.4 mm)	2.55 in (65 mm)	4.72 in (120 mm)
	 BEAM ANGLE: 140° Lens presented as dotted line.	 BEAM ANGLE: 68° Lens presented as dotted line.	 BEAM ANGLE: 56° Lens presented as dotted line.

SUGGESTED SUSPENSION WIRE SEPARATED DISTANCES



LINEAR LIGHT PART NUMBER BUILDER



1 - Category

- PC1
- PC2
- PC3
- PS1
- PS2
- PS3
- PR1
- PR2
- PR3

2 - Output Down

- LO - Low
- SO - Standard
- HO - High

3 - Color Temp Down

- 27 - 2700K
- 30 - 3000K
- 35 - 3500K
- 40 - 4000K
- 50 - 5000K

4 - Output Up (PS3, PR3)

- LO - Low
- SO - Standard
- HO - High

*If direct lighting only, leave blank.

5 - Color Temp Up (PS3, PR3)

- 27 - 2700K
- 30 - 3000K
- 35 - 3500K
- 40 - 4000K
- 50 - 5000K

*If direct lighting only, leave blank.

6 - Surface Finish

- AL - Aluminum W - White
- K - Black

7 - Fixture Length

- 2 - 2 ft
- 4 - 4 ft
- 8 - 8 ft

8 - Mounting Type

- JBOX - Junction Box TBAR
- T-Bar Grid DRY - Drywall