



**i-LUMINOSITY**  
LED LIGHTING FIXTURES

Date: \_\_\_\_\_  
Project: \_\_\_\_\_  
Price: \_\_\_\_\_

## CUSTOMIZABLE LINEAR LIGHTS



### Description:

Where there's a need for overhead lighting, our Customizable Linear Light fixtures deliver. These pendant fixtures are light and efficient, and can mount to drop ceilings, concrete or drywall/gypsum. Available in multiple styles and lengths our Linear Light Fixtures can be powder coated to match any color in your design. Available in a variety of sizes, and 5 different color temperatures.

### Features:

- Sold in 1 foot increments
- PS2, PS3, PR2 and PR3 can be connected to make longer fixtures (each fixture section requires its own power supply)
- UV Resistant
- PR3 and PS3 available with 120-277V AC Input
- 0 - 10 V or DALI Dimmable
- Powdercoating available in Black or White

#### APPLICATIONS:

- Commercial
- Entertainment
- Healthcare
- Hospitality
- Museums
- Public Spaces
- Residential
- Retail



PENDANT



ACCENT LIGHTING

#### IP RATINGS:

**IP 20**

#### ILDCLLAC

SERIES NUMBER	SIZE/ WATTS/ LUMENS	CCT	FINISH	ADDITIONAL OPTIONS
ILDCLLAC	2 FT - 14W / 864	27K - 2700K	B - BLACK	DIM - 0-10V DIMMING
	3 FT - 21W / 1,296	3K - 3000K	W - WHITE	EM -EMERGENCY BACKUP
	4 FT - 28W / 1,728	35K - 3500K	AL- ALUMINUM	
	5 FT - 35W / 2,160	4K - 4000K		
	6 FT - 42W / 2,592	5K - 5000K		
	7 FT - 49W / 3,024			
	8 FT - 56W / 3,456			

SAMPLE ITEM NUMBER: ILDCLLAC 6FT 5K W DIM





# i-LUMINOSITY

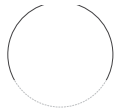
## LED LIGHTING FIXTURES

Date:	_____
Project:	_____
Price:	_____

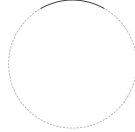
DIMENSIONS	PC1	PC2	PC3
------------	-----	-----	-----



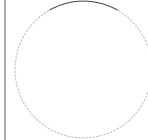
<b>Weights</b>	0.40 lbs/ft (0.59 kg/m)	0.48 lbs/ft (0.72 kg/m)	1.30 lbs/ft (1.94 kg/m)
<b>Diameter</b>	1.57 in (39.8 mm)	2.40 in (61.0 mm)	4.76 in (120.9 mm)



BEAM ANGLE: 136°  
Lens presented as dotted line.

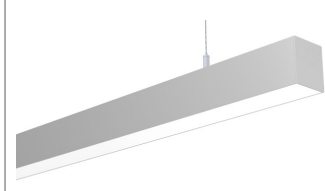
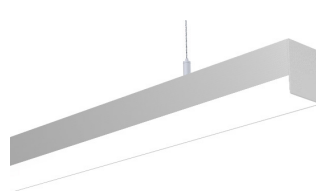


BEAM ANGLE: 120°  
Lens presented as dotted line.

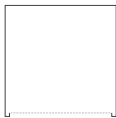


BEAM ANGLE: 160°  
Lens presented as dotted line.

DIMENSIONS	PS1	PS2	PS3
------------	-----	-----	-----



<b>Weights</b>	--	0.96 lbs/ft (1.43 kg/m) without integral driver	1.75 lbs/ft (2.60 kg/m) without integral driver
<b>Width</b>	1.38 in (35.1 mm)	2.36 in (60 mm)	2.95 in (75 mm)
<b>Height</b>	1.38 in (35.1 mm)	2.36 in (60 mm)	3.85 in (98 mm)
<b>Max Length</b>	--	7'6.5" (2.3 m) plus end cap thickness	--



BEAM ANGLE: 136°  
Lens presented as dotted line.

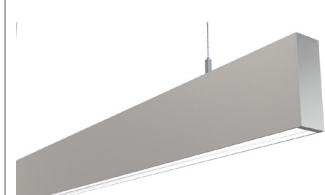
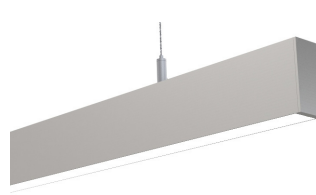
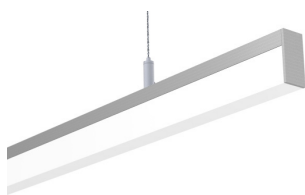


BEAM ANGLE: 106°  
Lens presented as dotted line.



BEAM ANGLE: 110°  
Lens presented as dotted line.

DIMENSIONS	PR1	PR2	PR3
------------	-----	-----	-----



<b>Weights</b>	0.15 lbs/ft (0.23 kg/m)	0.875 lbs/ft (1.38 kg/m)	1.28 lbs/ft (1.91 kg/m) <small>Scaled down</small>
<b>Width</b>	0.77 in (19.6 mm)	1.65 in (42 mm)	1.65 in (42 mm)
<b>Height</b>	1.59 in (40.4 mm)	2.55 in (65 mm)	4.72 in (120 mm)



BEAM ANGLE: 140°  
Lens presented as dotted line.



BEAM ANGLE: 68°  
Lens presented as dotted line.



BEAM ANGLE: 56°  
Lens presented as dotted line.



**i-LUMINOSITY**  
LED LIGHTING FIXTURES

Date:	_____
Project:	_____
Price:	_____

SUGGESTED SUSPENSION WIRE SEPARATED DISTANCES





# i-LUMINOSITY

LED LIGHTING FIXTURES

## LINEAR LIGHT DRYWALL HANGING KIT

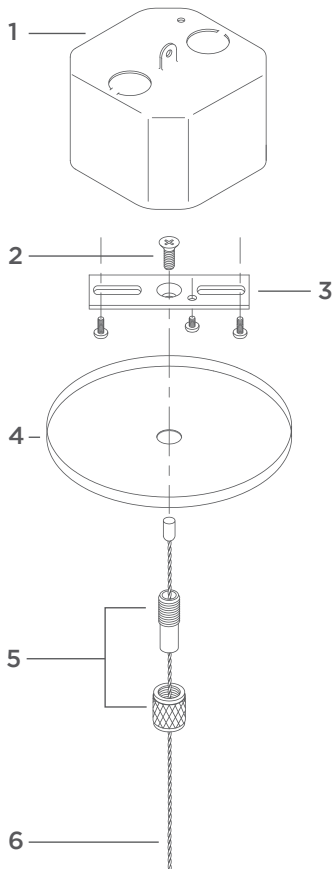
Date:	_____
Project:	_____
Price:	_____

### WITHOUT POWER FEED

STEP 1



STEP 2



#### ITEMS INCLUDED

- 1 - Drop Ceiling Junction Box \*(sold separately)
- 2 - 1/4" - 20 x 3/4" L Philips Flat Head Screw
- 3 - Countersunk 1/4" - 20 Gem Bar
- 4 - 5" Canopy
- 5 - Two-piece Cable Coupler
- 6 - 1/16" Cable

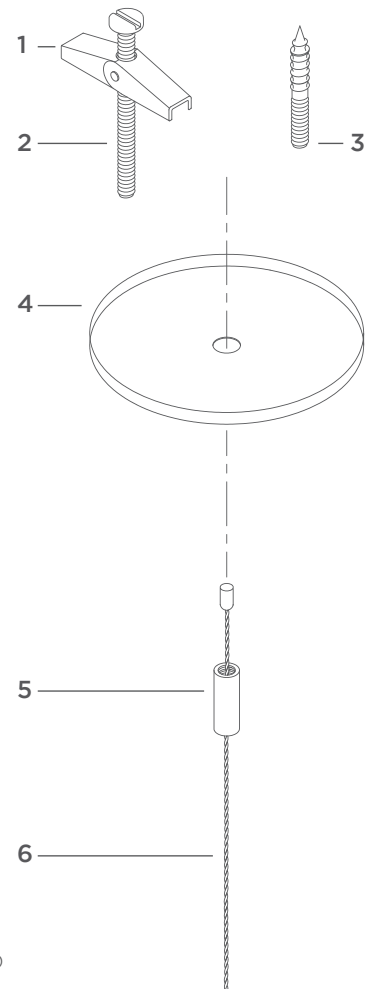
\*Junction Box part : JBOX

### SHEETROCK WITHOUT POWER FEED

STEP 1



STEP 2



#### ITEMS INCLUDED

- 1 - 1/4" - 20 Toggle Butterfly
- 2 - 1/4" - 20 x 3" Slotted Bolt
- 3 - Hanger Bolt
- 4 - 2" Canopy
- 5 - One-piece Cable Coupler
- 6 - 1/16" Cable