



**i-LUMINOSITY**  
LED LIGHTING FIXTURES

Date: \_\_\_\_\_  
Project: \_\_\_\_\_  
Price: \_\_\_\_\_

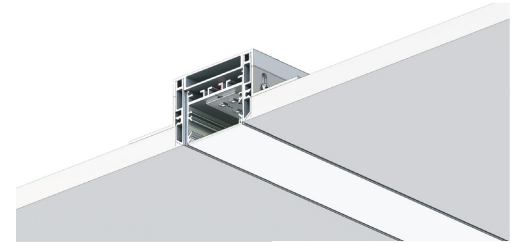
# SIMPLY CLEAN LED RECESSED FIXTURES

## Description:

Our Simply Clean LED Recessed Fixtures are designed to be harmonious with the physical space of a room. These extrusions can be installed into any size, any new or existing drywall/gypsum walls and ceilings. Wattages range from 3 W/ft to 12 W/ft ) and is available in 2400K, 2700K, 3000K, 3500K, 4000K, 6000K or RGB.. The internal LED's can be installed with waterproof coating, making them resistant to moisture. These fixtures are perfect for any indoor application.

## Features:

- IP Rating; IP20, IP65, IP68 options: Waterproof and UV resistant
- Can be recessed or used as accent lighting.
- 0-10V dimmable option.
- Lighting control options available.
- Mounting options: Ceiling mount, horizontal/vertical wall mount or cross wall mount.
- Beam angles: 60° & 80°
- L70 Lifetime: 50,000 hours.
- CRI >90
- 24V input voltage.
- 7 Year Warranty.
- Available colors: 2400K, 2700K, 3000K, 3500K, 4000K, 6000K or RGB.
- Variety of lengths.
- Dimensions: SC1 - Varies x W2.13" x H1.89"  
SC2 - Varies x W2.72" x H1.89"



## Applications

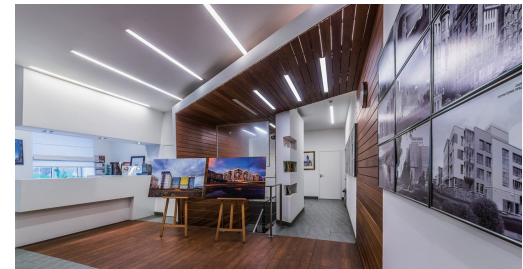
- Healthcare
- Hospitality
- Museums
- Public Spaces
- Residential
- Retail



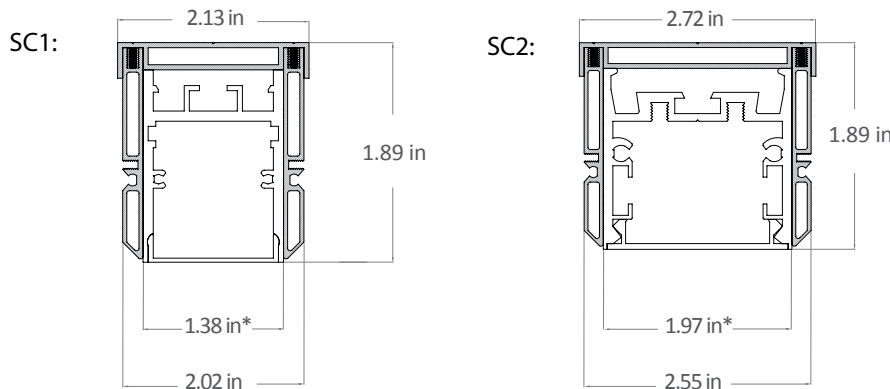
RECESSED



ACCENT LIGHTING



## Dimensions:



SC1



SC2



Date:	_____
Project:	_____
Price:	_____

## Ordering Key:

SERIES NUMBER	WATTS/ SIZE/ LUMENS	CCT	LENS	ADDITIONAL OPTIONS
ILDCSCAC	3W - 1 FT / 300	24K - 2400K	M - MILKY	DIM - 0-10V DIMMING
	6W - 1 FT / 600	27K - 2700K	FM- FLEXIBLE MILKY	
	8W - 1 FT / 800	3K - 3000K		
	10W - 1 FT / 1000	35K - 3500K		
	11W - 1 FT / 11000	4K - 4000K		
	12W - 1 FT / 1200	6K - 6000K		
		RGB		

SAMPLE ITEM NUMBER: ILDCSCAC 8W 5K FM DIM

## Electrical Data:

- **Input Power:** Stays consistent over life.
- **Input Voltage:** 24V
- **CRI:** >90
- **L70 Lifetime:** >50,000 hours.

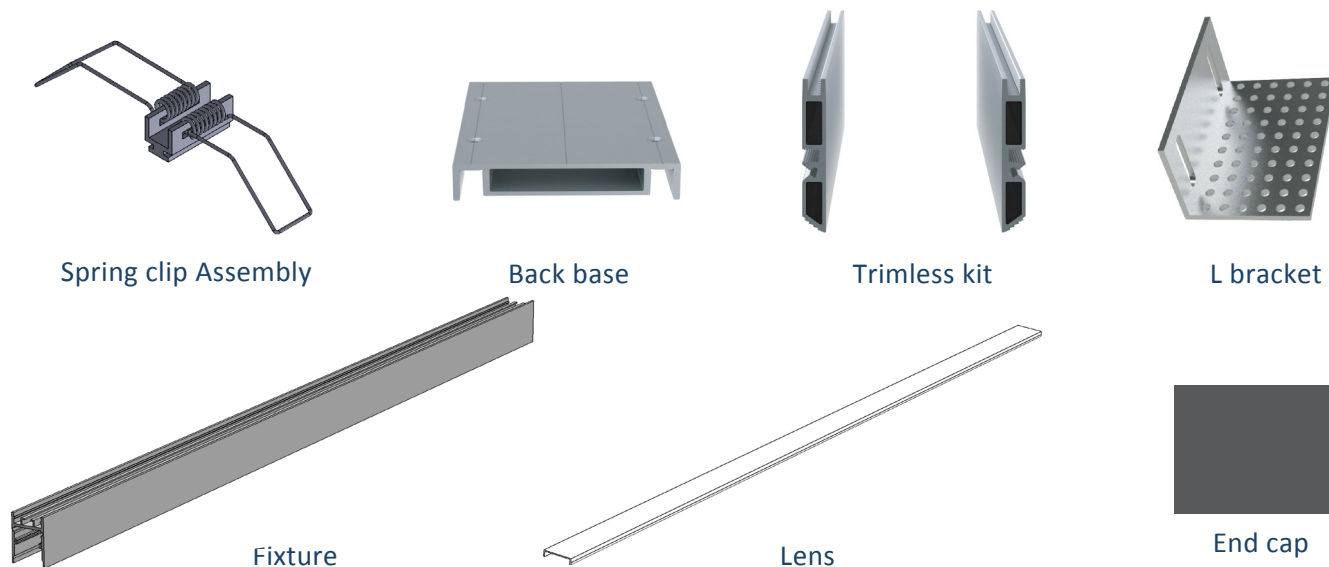
## Controls:

- This LED fixture is equipped with 0-10V dimming that works universally with any standard 0-10V control or dimmer.

## Optical System:



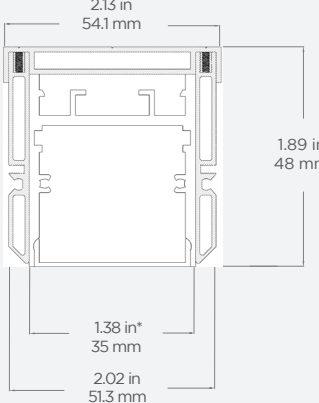
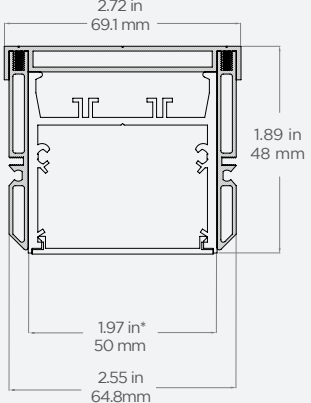
- A unique combination of reflective & refractive optical components achieves a uniform, comfortable look while eliminating pixelation & color fringing.
- Parts work in unison to optimize light distribution, balancing the high delivery of high illuminance levels on horizontal surfaces with an ideal amount of light on walls and vertical surfaces, increasing perception of spaciousness.

## Parts:



Date:	_____
Project:	_____
Price:	_____

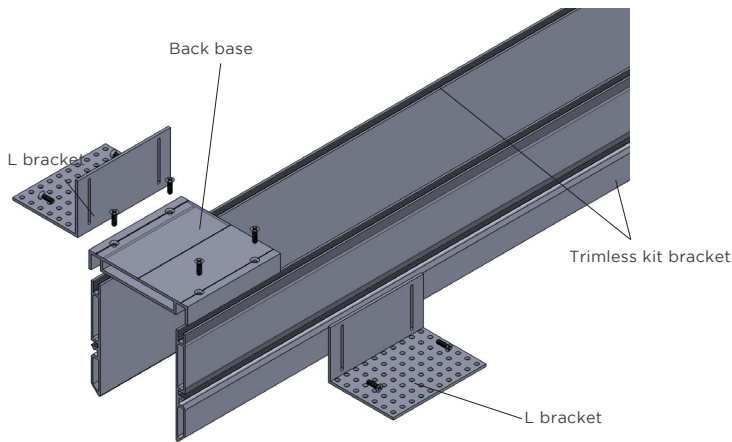
**SPECIFICATIONS & PARTS**

SPECIFICATIONS	SC1	SC2
		
Beam Angle	60°	80°
Internal Width	1.38 in (35 mm)	1.97 in (50 mm)
Height	1.89 in (48 mm)	1.89 in (48 mm)
Length	Sold by the foot or meter. We recommend field cutting by contractor on site for any run lengths greater than 8 feet or 2.5 meters, to ensure that measurements align exactly with the architectural space.	
For installation, cut hole in ceiling:	 <p>2.13 in 54.1 mm</p> <p>1.89 in 48 mm</p> <p>1.38 in* 35 mm</p> <p>2.02 in 51.3 mm</p>	 <p>2.72 in 69.1 mm</p> <p>1.89 in 48 mm</p> <p>1.97 in* 50 mm</p> <p>2.55 in 64.8 mm</p>

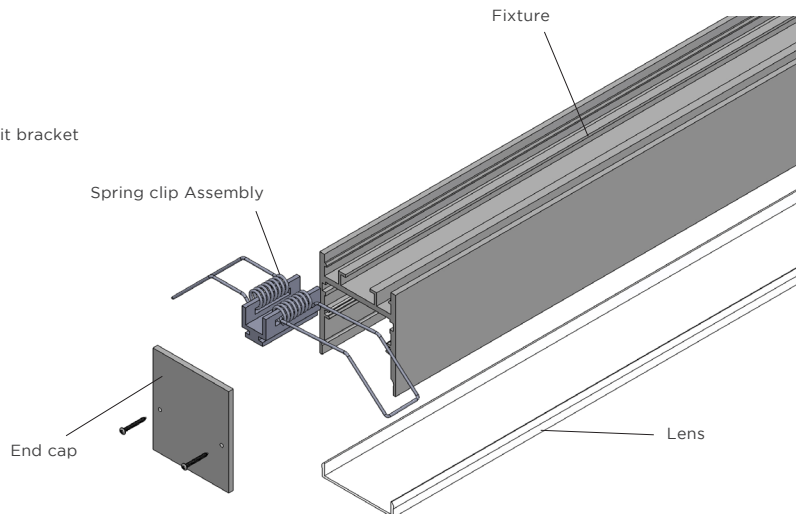
\*Width of visible light diffuser

**EXPLODED VIEW**

**RECESSED ASSEMBLY**  
(to be assembled first)



**LIGHT ENGINE ASSEMBLY**  
(to be assembled 2nd and then be snapped into the Recessed Assembly)





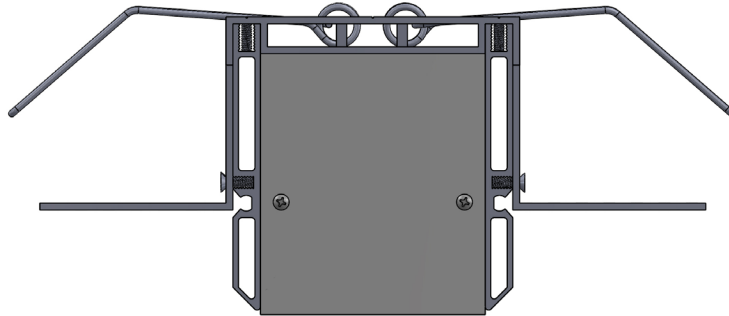
**i-LUMINOSITY**  
LED LIGHTING FIXTURES

Date:	_____
Project:	_____
Price:	_____

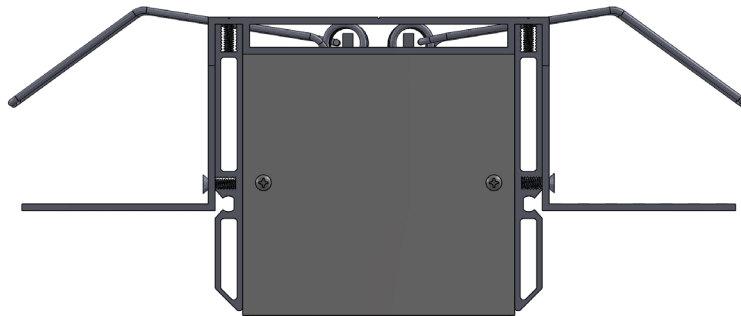
**SPECIFICATIONS & PARTS**

**FINISHED FIXTURE END-VIEW**

SC1 END VIEW



SC2 END VIEW



**CEILING-TO-WALL OR WALL-TO-WALL CONNECTED RUN**

