



i-LUMINOSITY
LED LIGHTING FIXTURES

Date:	_____
Project:	_____
Price:	_____

LED WALLPACK WITH INTEGRATED SENSOR

Description:

i-Luminosity's LED Wallpack comes with a built-in, integrated sensor, autonomously controlling when the light turns on and off. This wallpack comes in white or black and is suitable for outdoor locations. Additionally, this product has an array of wattage and color options.

Features:

- Input Power: 100-277VAC
- Power Consumption: 15W, 17W, 25W
- Lumen Output: 1,500 Lm - 2,700 Lm
- Lighting controls option available.
- CRI >90
- L70 Lifetime: >50,000 hours
- Available Mounting Options: Wall mounted
- Available Color Options: 3000K, 4000K, or 5000K.
- Available Finish Options: Black or White
- IP Rating: IP54
- 7 Year Warranty
- Dimensions: 9.13" x 5.39" x 5.20"
9.13" x 8.86" x 5.20"



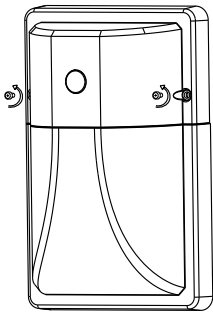
Date:	_____
Project:	_____
Price:	_____

Ordering Key:

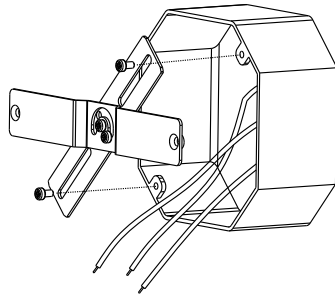
SERIES NUMBER	WATTS / SIZE / LUMENS	CCT	FINISH	ADDITIONAL OPTIONS
ILMSWMP	15w - 5.4IN / 1,500	3 - 3000K	B - BLACK	
	17w - 5.4IN / 2,100	4 - 4000K	W - WHITE	
	25w - 8.8IN / 2,700	5 - 5000K		

SAMPLE ITEM NUMBER: ILMSWMP 25 4 B MS

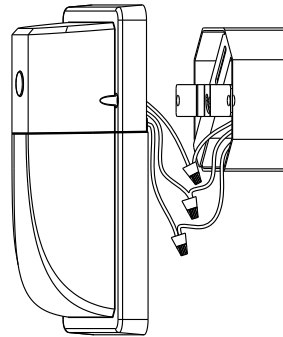
Installation:



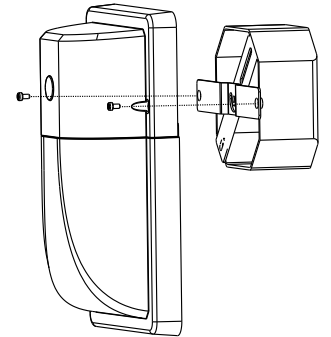
1. Install the cross screw



2. Install back plate to junction box



3. Connect wire



4. Install the fixture body and screw

Electrical Data:

- **Input Power:** Stays consistent over life.
- **Input Voltage:** 120-277 VAC
- **CRI:** >90
- **L70 Lifetime:** >50,000 hours.

Controls:

- This LED fixture IS equipped with a motion sensor option.

Optical System:

- A unique combination of reflective & refractive optical components achieves a uniform, comfortable look while eliminating pixelation & color fringing.
- Parts work in unison to optimize light distribution, balancing the high delivery of high illuminance levels on horizontal surfaces with an ideal amount of light on walls and vertical surfaces, increasing perception of spaciousness.

