

Date:	_____
Project:	_____
Price:	_____

WATERFALL LED PENDANT LIGHT



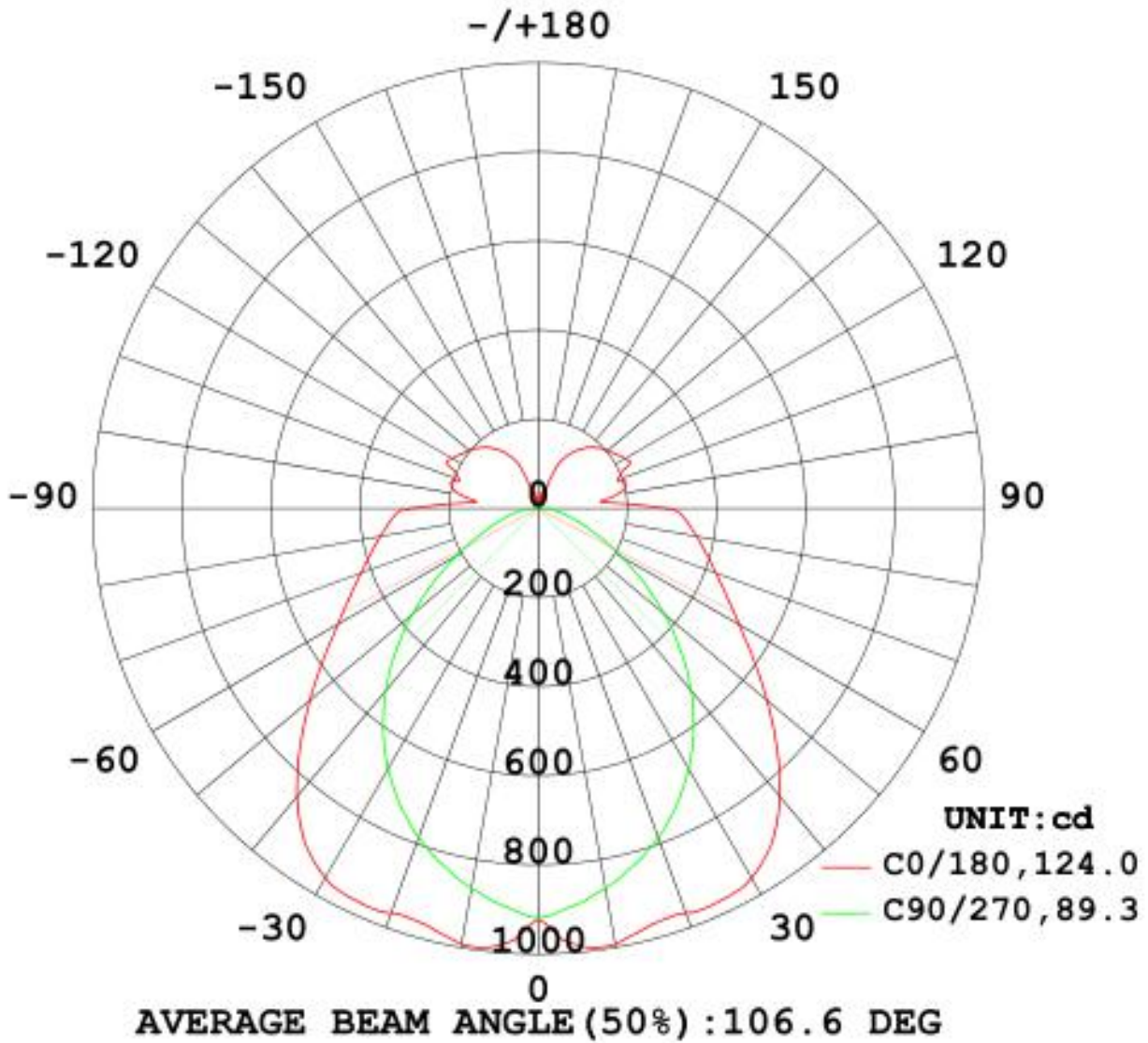
FEATURES

- Elegant design and high quality.
- The waterfall-shape fixture makes people feel easy and comfortable. Transparency creates a cleaner living ambient
- Mitsubishi LGP never turn yellow within 5 years
- Easy to install and fixture is connectable
- Pure aluminum keeps good heat dissipation
- ETL certificated



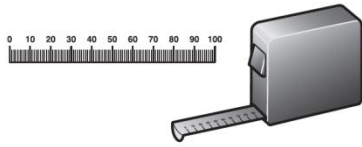
Model Number	Lumens	Size	Dimensions (in)	Wattage
ILPFWFGL	4,400	4FT	47.5 X 6.9 X 1.3	40W

Photometrics

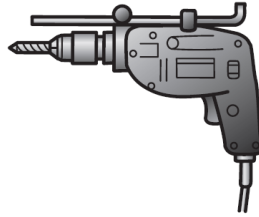


Date:	_____
Project:	_____
Price:	_____

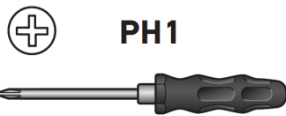
1. Installation tools



Measuring Tape



Hand drill (8MM drill bit)



Screw driver PH1



Stripping piers

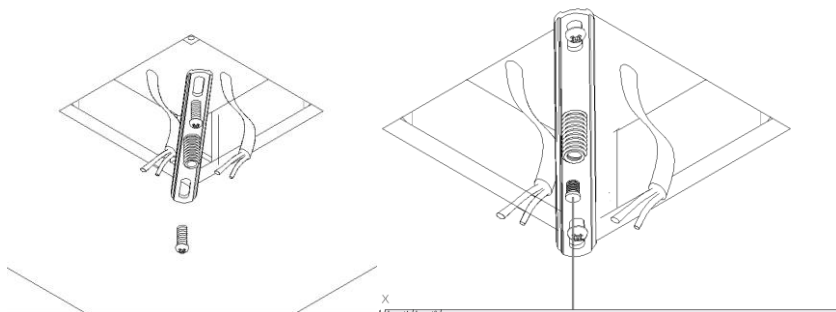
2. Installation procedures:

1) Check the BOM before installation.

Lamp body	1PCS
Accessory box	1PCS
Hanging rope (in accessories box)	2PCS
Screw 4.5*40MM (in accessories box)	2PCS
Canopy (in accessories box)	1PCS
Bracket (in accessories box)	1PCS
Screws M4*25MM (in accessories box)	2PCS
Rubber plug (in accessories box)	2PCS
Cable tie (in accessories box)	2PCS

2) Install the hanging ropes.

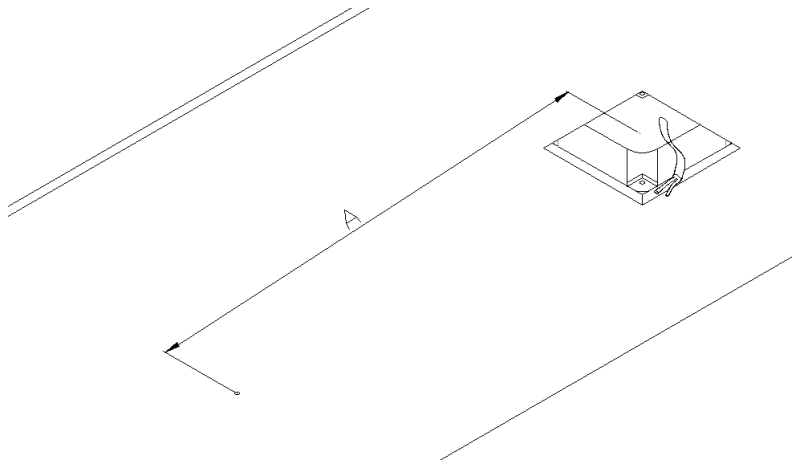
Step 1, Lock the bracket to the junction box.As picture (1). Screw one end of the hanging rope into the middle of this bracket. As below picture (2).



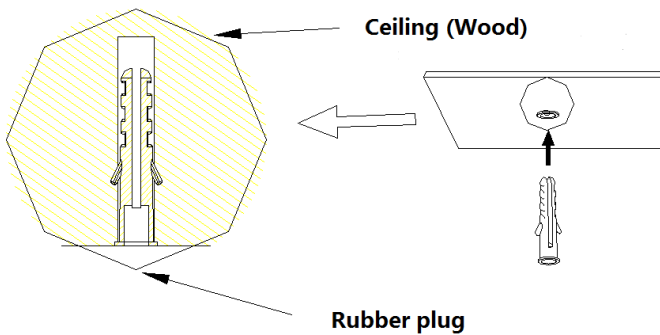
Date:	_____
Project:	_____
Price:	_____

Step 2, Confirm the other hanging rope's position according to the distance from the fixed rope.
References of distance between the two ropes are as below chart.

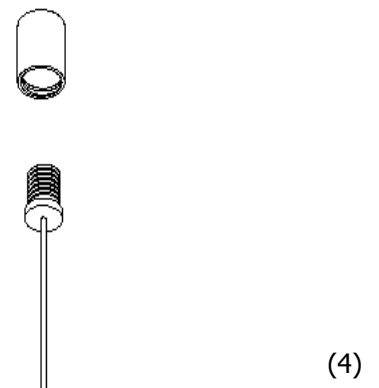
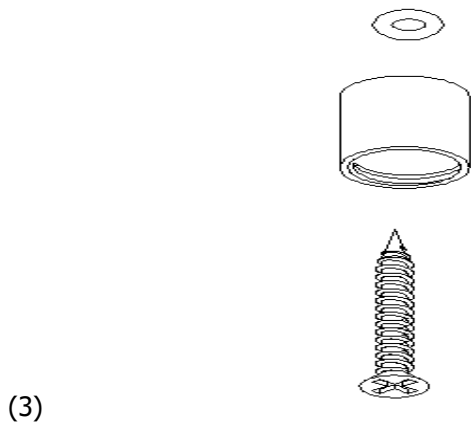
(1.2M)	$A \leq 1100\text{MM}$
--------	------------------------



Step 3, Mark up the position and drill an 8MM hole. Put the rubber plug into the hole.



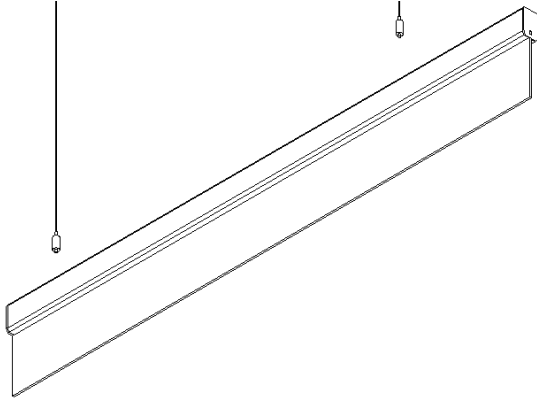
Step 4, Lock the screw stand to the hole as picture (3). Screw one end of the hanging rope into the screw stand as picture (4).



Date:	_____
Project:	_____
Price:	_____

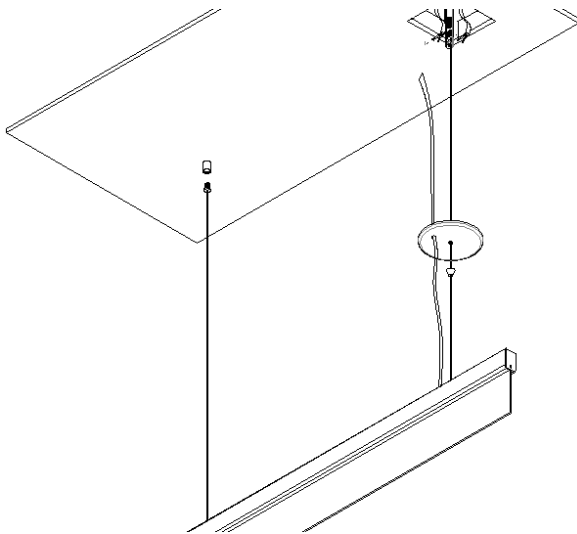
3) Hang up the lamp body

Lift the lamp body, screw the other end of the hanging rope into the back hole of lamp as picture below:



4) Connect the wires

Step 1, Adjust the height of lamp then put the power cord through the canopy to the junction box as picture below. Connect the the power cord with wires in the junction box: L to L (white), N to N (black), DIM+ to DIM+ (red), DIM- to DIM- (yellow):



Step 2, Lock the canopy with the junction box as picture below:

