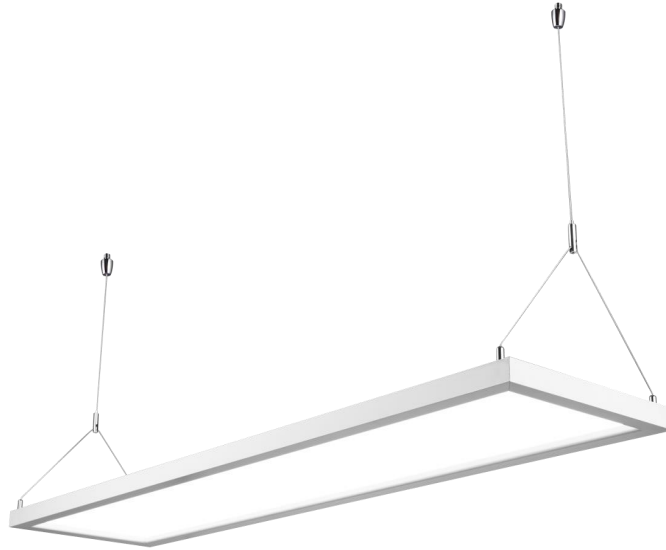


WATERCLEAR LED PENDANT LIGHT



Features

- Elegant design makes a clear mirror light on top
 Can be used as decoration or illumination lighting
- High quality Mitsubishi LGP never turn yellow within 5 years
- Pure aluminum keeps good heat dissipation
- ETL certificated

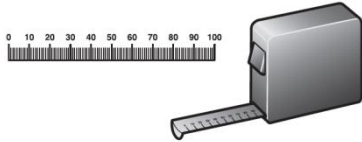


WATERCLEAR LED PENDANT LIGHT

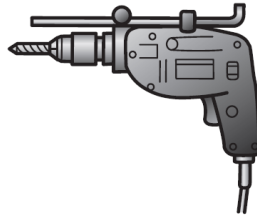
ITEM #	SIZE	LENGTH (MM)	VOLTAGE	WATT	LUMEN OUTPUT	CRI	WEIGHT
SWWGMPMDF0312W40	4FT	1195X295X25	AC 110 / 277V	40W	4,400	>90	4 KG



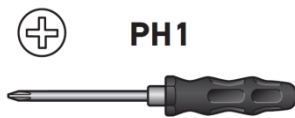
1. Installation tools



Measuring Tape



Hand drill (8MM drill bit)



Screw driver PH1



Stripping piers

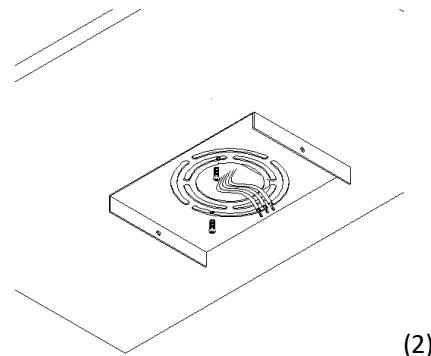
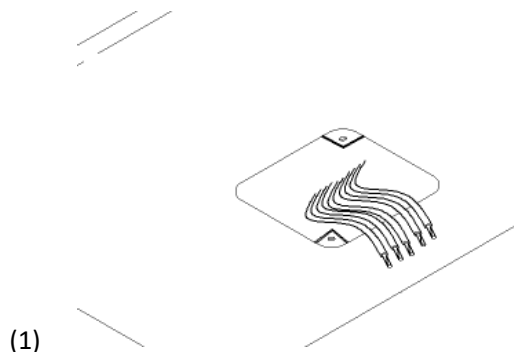
2. Installation procedures:

1) Check the BOM before installation.

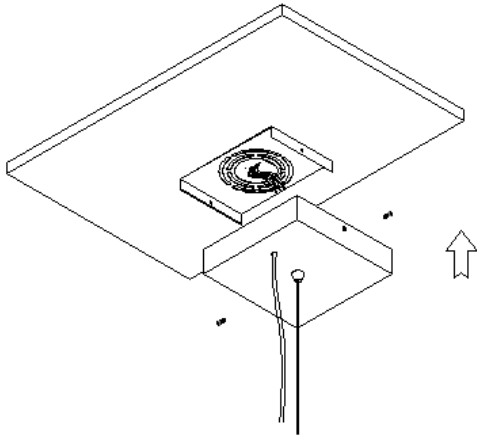
Lamp body	1PCS
Accessory box	1PCS
Hanging rope (in accessories box)	2PCS
Driver box (the driver is installed inside)	1PCS(Driver box dimension:170*170*34MM)
Screw 4.5*40KM (in accessories box)	8PCS
Rubber plug (in accessories box)	8PCS
Cable tie (in accessories box)	2PCS

2) Install the driver box

Step 1, Fix the n-shaped(Picture 2) part that hollowed in middle onto the junction(Picture 1) box by screws. As picture below.

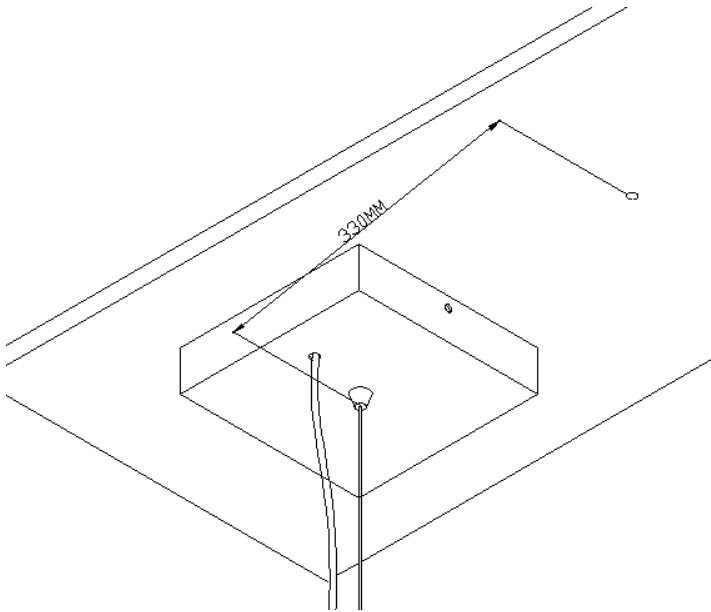


Step 2, Take out the driver box (One end of the hanging rope is fixed to its bottom by), Connect the the power cord with wires in the junction box: L to L (white), N to N (black), DIM+ to DIM+ (red), DIM- to DIM- (yellow). Then put the driver box on the n-shaped part, screw the two sides as picture below.

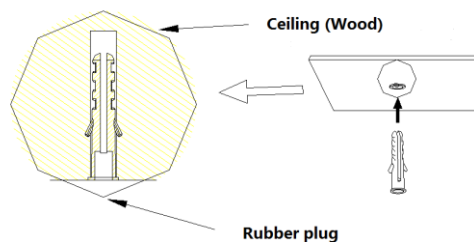


3) Install the hanging rope

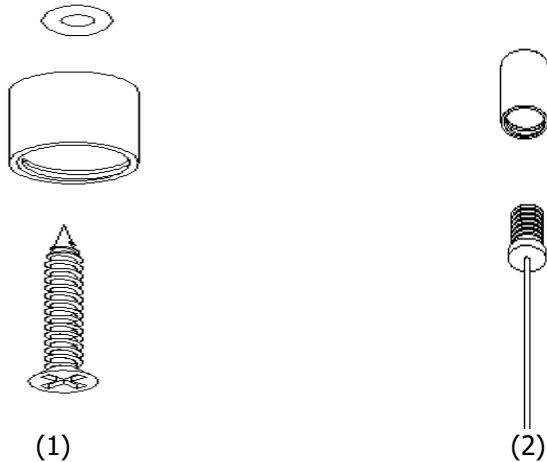
Step 1, Confirm the other hanging rope position as below picture.



Step 2, Mark up the position and drill an 8MM hole. Put the rubber plug into the hole.

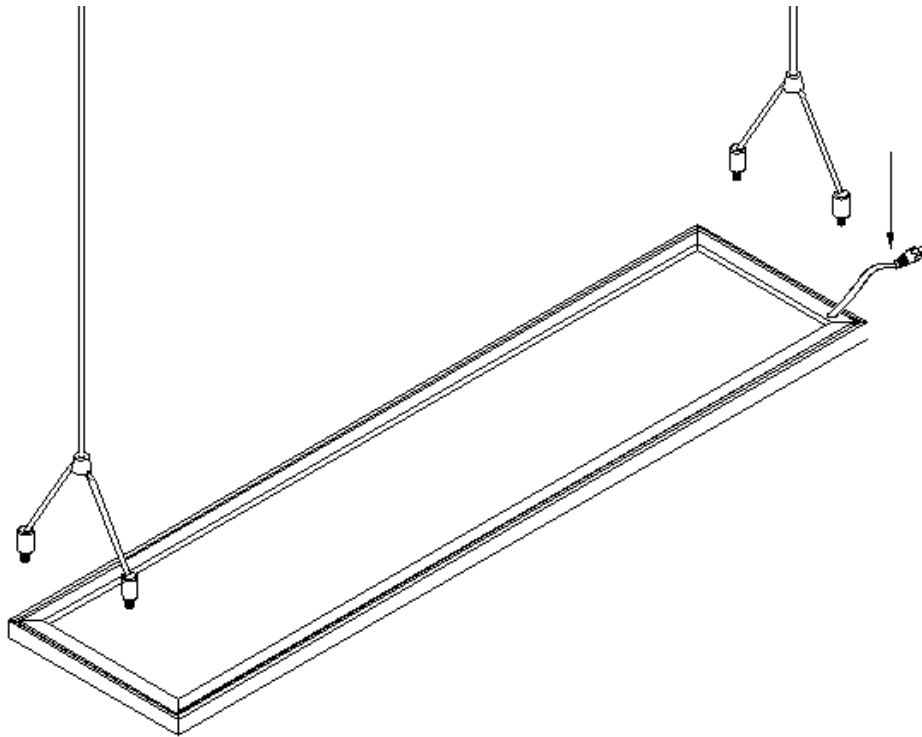


Step 3, Lock the screw stand to the marked hole as picture (1). Screw one end of the hanging rope into the screw stand as picture (2).



3) Hang up the lamp body

Step 1, Lift the lamp body, screw the other end of the hanging rope into the back hole of lamp as picture below:



Step 2, Adjust the height of lamp, connect the power cord with the lamp connector. Before you tie the wire and ropes by cable tie, make sure the extra cable has been put into the driver box.