



**i-LUMINOSITY**  
LED LIGHTING FIXTURES

Date:	_____
Project:	_____
Price:	_____

# LED CONSTRUCTION HIGH BAY LIGHT

## Description:

This aluminum construction LED high bay is eco-friendly and starts instantly with no flickering or humming. No UV or IR in the beam. Easy to install and operate.

## Features:

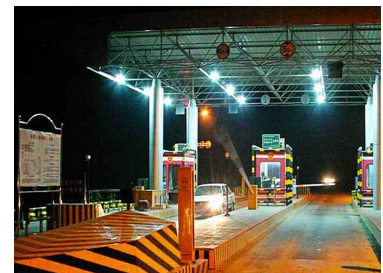
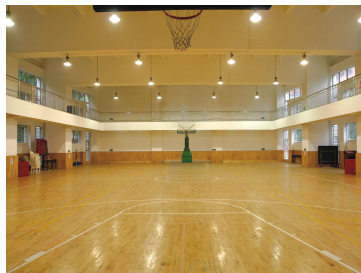
- UL, CUL, DLC certificate
- Input voltage 100-277Vac
- No UV or IR in the beam
- Easy to install and operate
- Energy saving, long lifespan
- Instant start, No flickering, No humming
- Green and eco-friendly without mercury



ILHBCHBSNC

SERIES NUMBER	WATTS/ SIZE/ LUMENS	CCT	FINISH	ADDITIONAL OPTIONS
ILHBCHBSNC	60W - 7,800	3K - 3000K	O - ORANGE	DIM - 1-10V DIMMING
	80W - 9,600	35K - 3500K		EM - EMERGENCY BACKUP
	100W - 12,800	4K - 4000K		11 IN - 11.02" x 6.69"
	125W - 16,250	45K - 4500K		12 IN - 12.95" x 6.69"
		5K - 5000K		14 IN - 14.53" x 6.69"
		57K - 5700K		

SAMPLE ITEM NUMBER: ILHBCHBSNC 100W 45K DIM 11IN

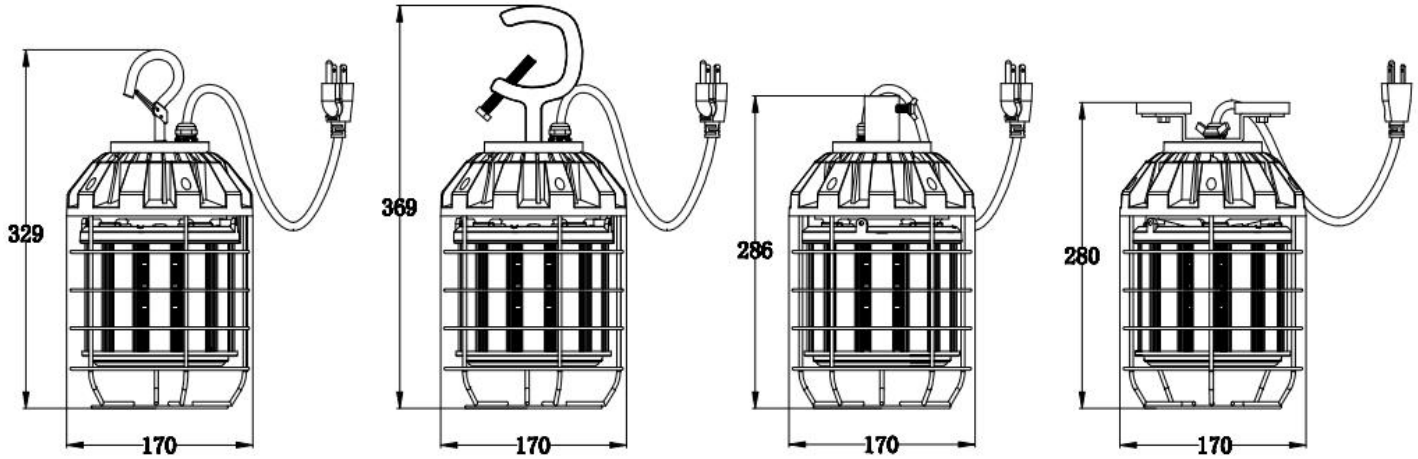




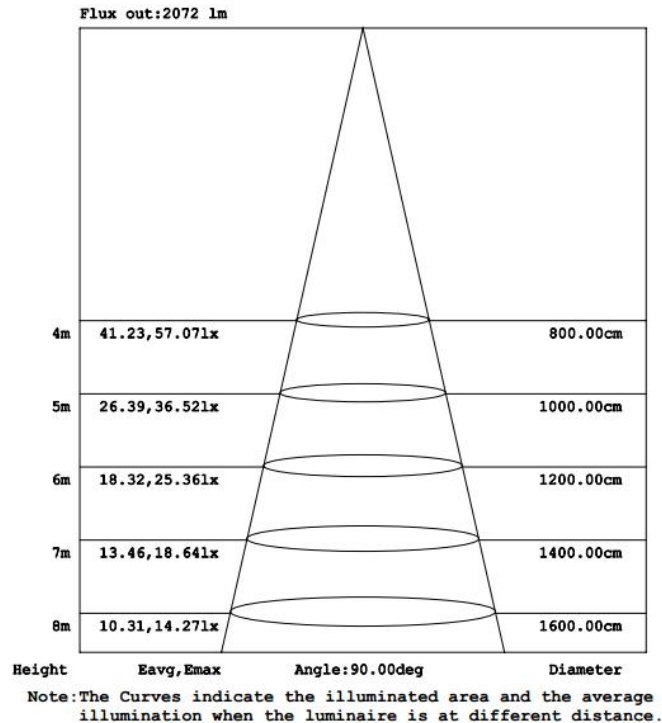
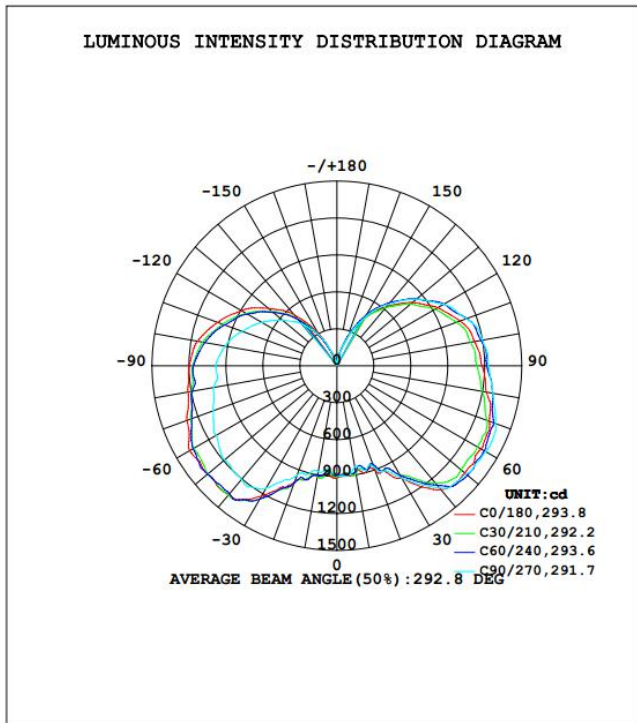
**i-LUMINOSITY**  
LED LIGHTING FIXTURES

Date:	_____
Project:	_____
Price:	_____

## Measurements (mm)



## Photometrics



DATA OF LAMP		PHOTOMETRIC DATA			
MODEL		Imax (cd)	1405	S/MH (C0/180)	2.09
NOMINAL POWER (W)	100	LOR (%)	100.0	S/MH (C90/270)	1.94
RATED VOLTAGE (V)	120	TOTAL FLUX (lm)	12668	η UP, DN (C0-180)	20.5, 30.3
NOMINAL FLUX (lm)	12668.3	CIE CLASS	SEMI-D.	η UP, DN (C180-360)	18.9, 30.3
LAMPS INSIDE	1	η up (%)	39.5	CIBSE SHR NOM	2.00
TEST VOLTAGE (V)	120	η down (%)	60.5	CIBSE SHR MAX	0.00

Eff: 126.62 lm/W